



FOR USE WITH PANDUIT
FIBERRUNNER 4x4, 6x4, & 12x4
ROUTING SYSTEMS

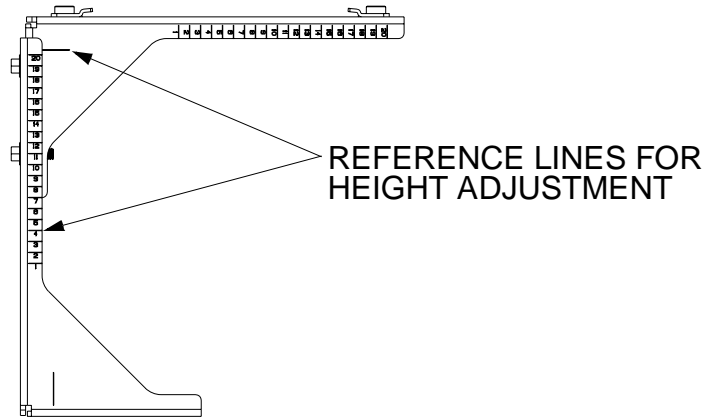
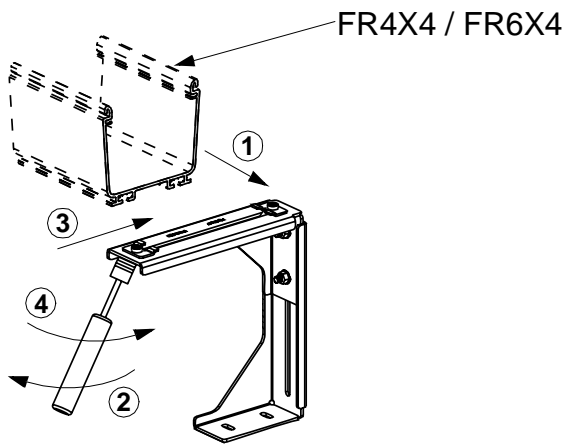
FIBERRUNNER
ADJUSTABLE CABINET BRACKETS

Part Numbers: FR6ACAB, FR12ACAB

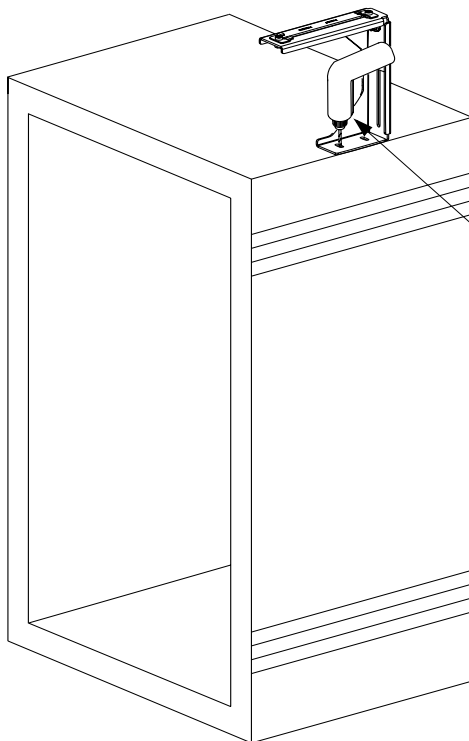
INSTALLATION INSTRUCTIONS

Panduit Corp. 2002

Printed in U.S.A.

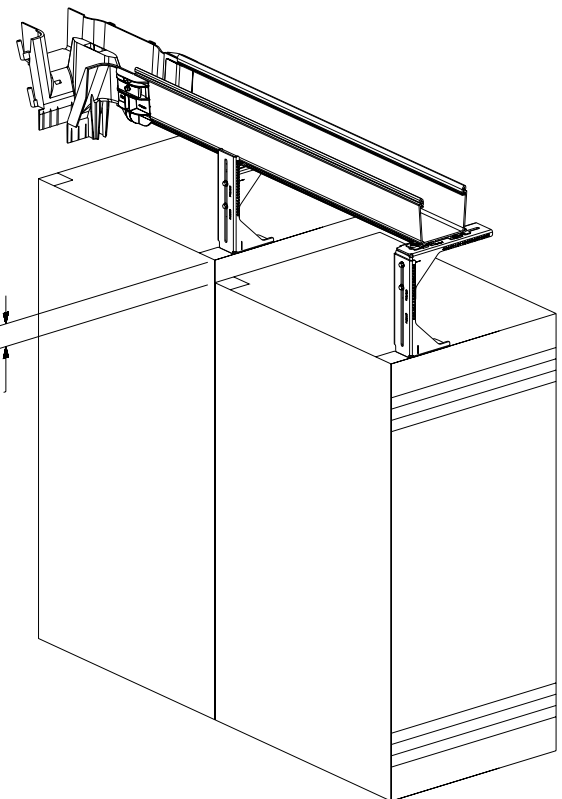


TYPICAL INSTALLATION

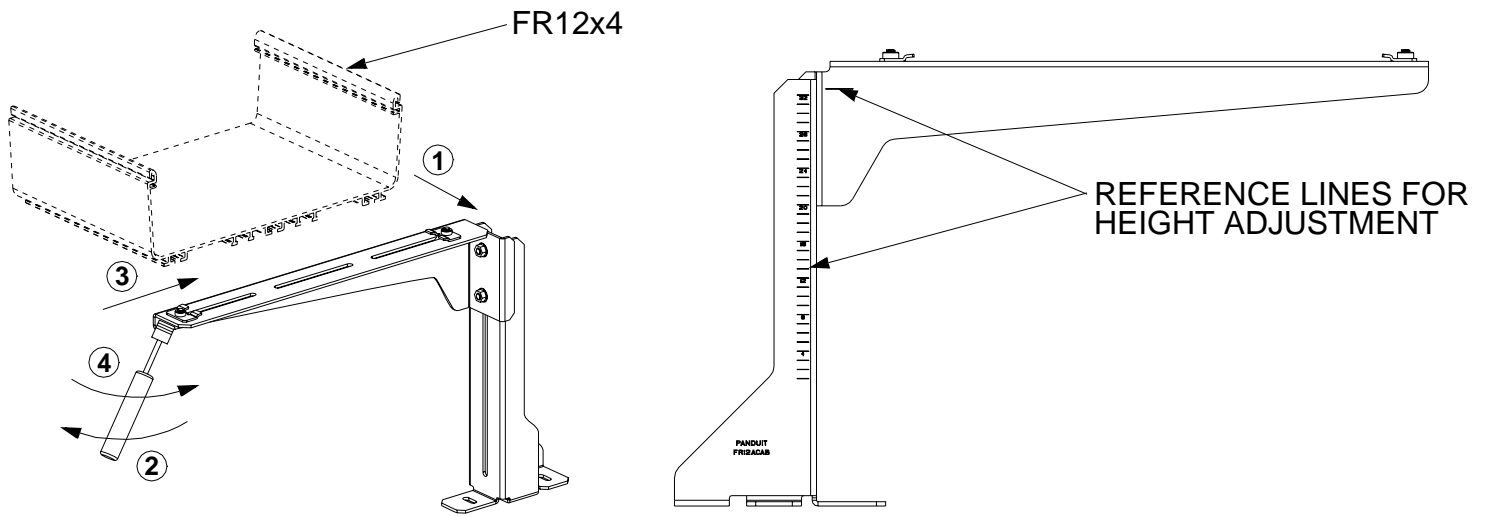


DRILL 2 PLACES THROUGH
FRAME MEMBER
-USE APPROPRIATE SIZE
FASTENERS (NOT INCLUDED)

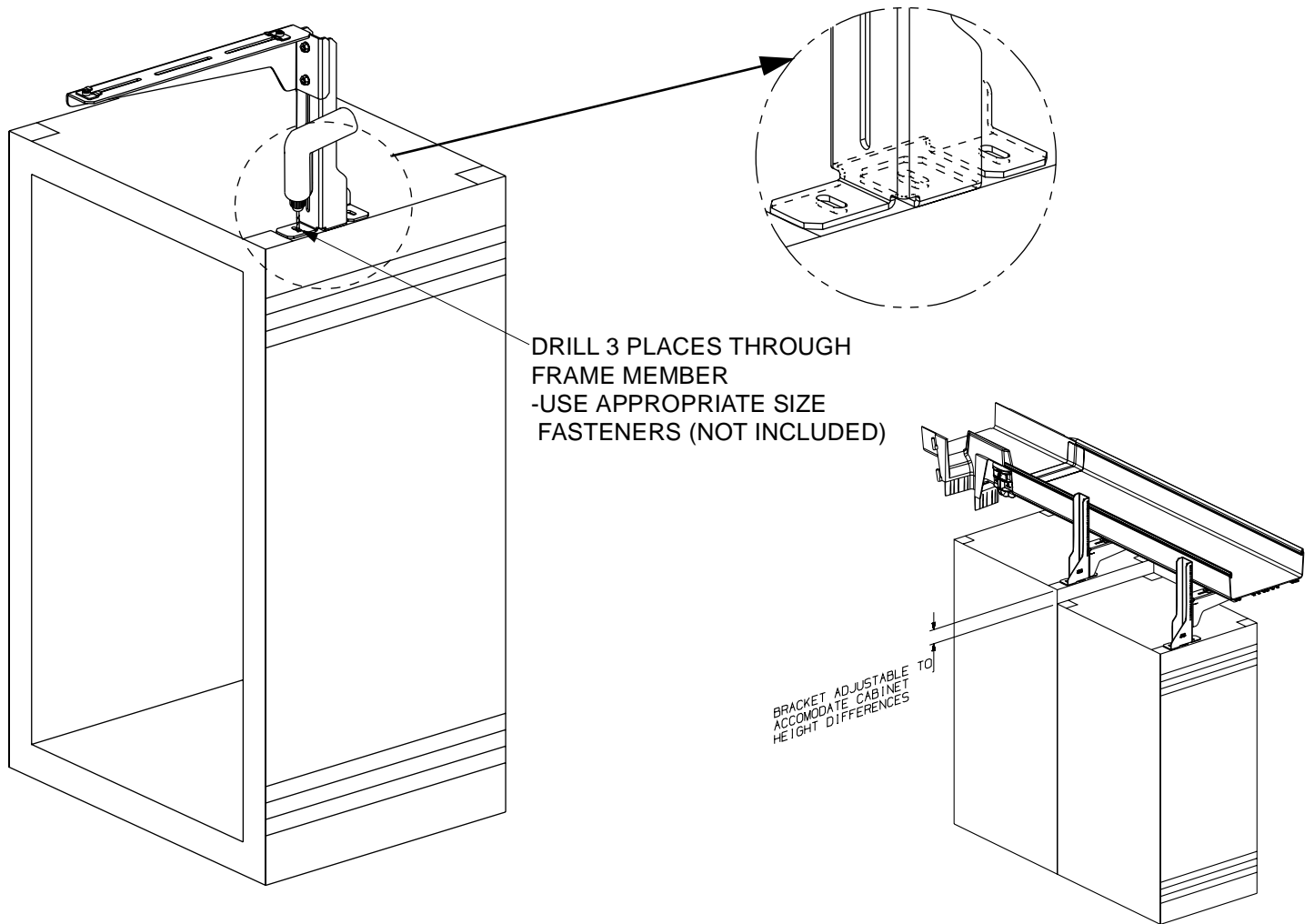
BRACKET ADJUSTABLE TO
ACCOMMODATE CABINET
HEIGHT DIFFERENCES



INSTALLATION INSTRUCTIONS



TYPICAL INSTALLATION



INSTRUCTION SHEET RW165

WORLDWIDE SUBSIDIARIES AND SALES OFFICES

17301 Ridgeland Avenue
Tinley Park, IL.60477-3091
Web Site: www.panduit.com/ngc



RACEWAY SYSTEMS DIVISION

Fax: 866-449-1702
Technical Support: 866-405-6656
Email: netconnsupport@panduit.com