



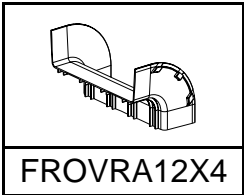
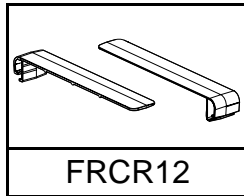
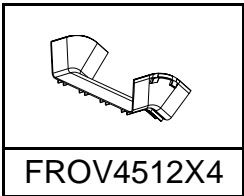
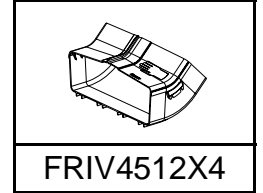
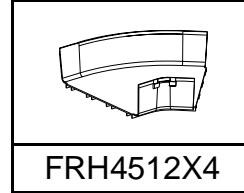
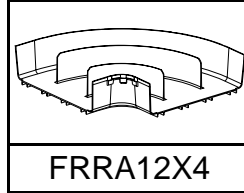
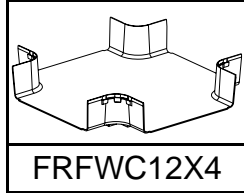
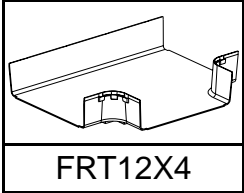
FIBERRUNNER 12x4 ROUTING SYSTEM WITH QUIKLOCK COUPLER

Part Numbers: FR12X4, FRHC12, FRCR12, FRBC12X4, FRT12X4, FRTSC12, FRA12X4, FRRASC12, FRH4512X4, FRH45SC12, FRFWC12X4, FRFWCSC12, FRIV4512X4, FROVRA12X4, FROVRASC12, FROV4512X4, FROV45SC12

INSTALLATION INSTRUCTIONS

© Panduit Corp. 2004

Printed in U.S.A.



FIBERRUNNER 12x4 CABLE RETAINER INSTALLATION INSTRUCTIONS

1. Insert the cable into the FR12X4 cable retainer.

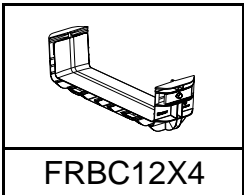
1a. Detail view showing the cable being inserted into the retainer.

2. Push the cable retainer into the FR12X4 channel.

3. The cable retainer is fully seated in the channel.

-or-

3. Alternative view of the cable retainer seated in the channel.



FIBERRUNNER 12x4 QUIKLOCK COUPLER INSTALLATION INSTRUCTIONS

1. Position the FRBC12X4 coupler over the FR12X4 channel.

2. Push the coupler into the channel.

3. The coupler is fully seated.

Fitting-to-Duct Application

3a. Fitting-to-Fitting Application

3b. Duct-to-Duct Application

Disassembly Instructions

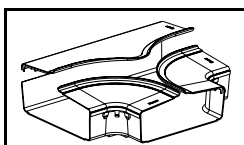
1. Loosen the coupler at the 4 places indicated.

2. Push the coupler out of the channel.

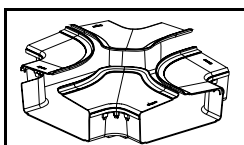
3. The coupler is removed.

For Technical Assistance, Call: 866-405-6656

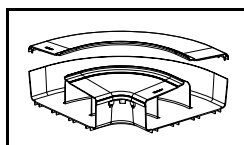
FIBERRUNNER 12x4 ROUTING SYSTEM INSTALLATION INSTRUCTIONS



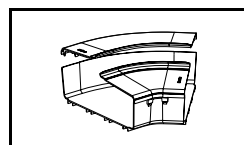
FRTSC12
(SPLIT COVER FOR
FRT12X4)



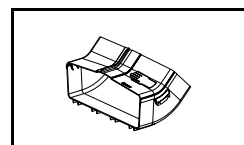
FRFWCSC12
(SPLIT COVER FOR
FRFWC12X4)



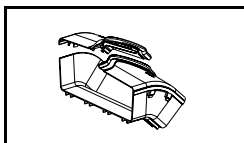
FRRASC12
(SPLIT COVER FOR
FRR12X4)



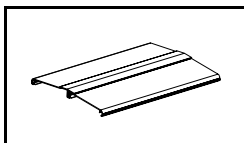
FRH45SC12
(SPLIT COVER FOR
FRH4512X4)



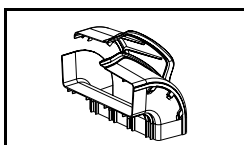
FRIV4512X4
(SPLIT COVER
INCLUDED)



FROV45SC12
(SPLIT COVER FOR
FROV4512X4)

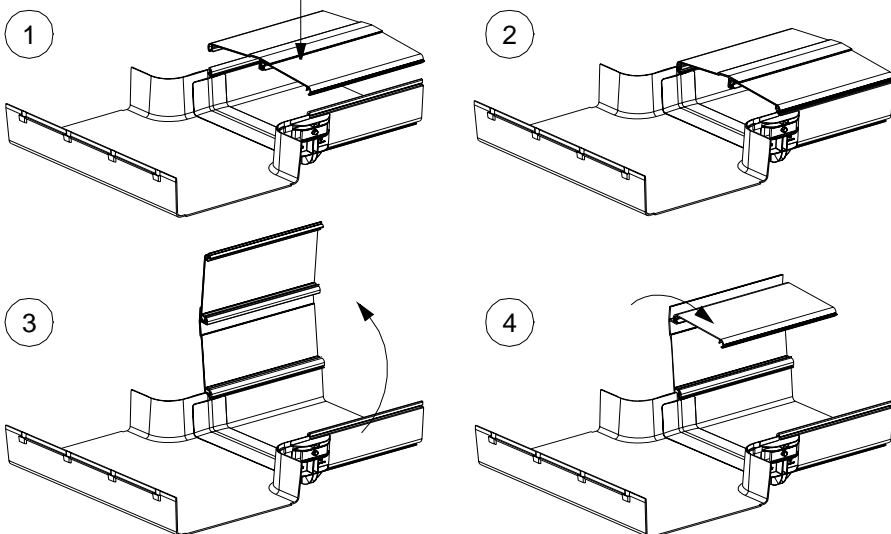


FRHC12
(HINGED COVER FOR
FR12X4)

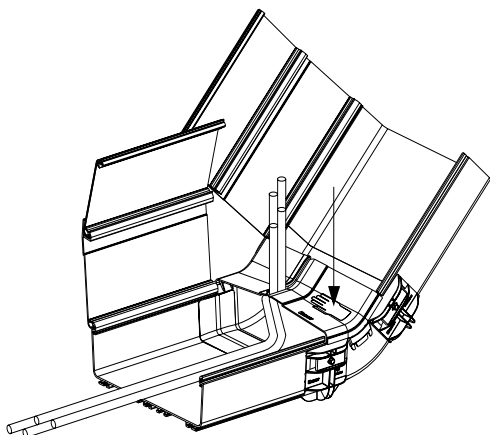


FROVRASC12
(SPLIT COVER FOR
FROVRA12X4)

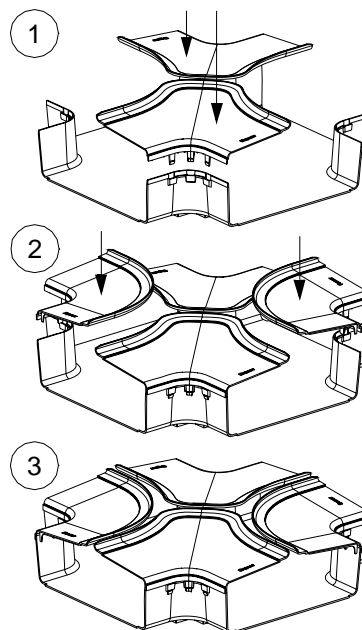
FIBERRUNNER 12x4 HINGED COVER INSTALLATION AND HINGE OPERATION INSTRUCTIONS



FIBERRUNNER 12x4 INSIDE VERTICAL 45 CABLE INSTALLATION INSTRUCTIONS



FIBERRUNNER 12x4 FOUR-WAY CROSS SPLIT COVER INSTALLATION INSTRUCTIONS



Instruction Sheet RW133

WORLDWIDE SUBSIDIARIES AND SALES OFFICES

17301 Ridgeland Avenue
Tinley Park, IL 60477-3901
Web Site: www.panduit.com/ngc



RACEWAY SYSTEMS DIVISION

Fax: 866-449-1702
Technical Support: 866-405-6656
E-mail: netconnsupport@panduit.com