

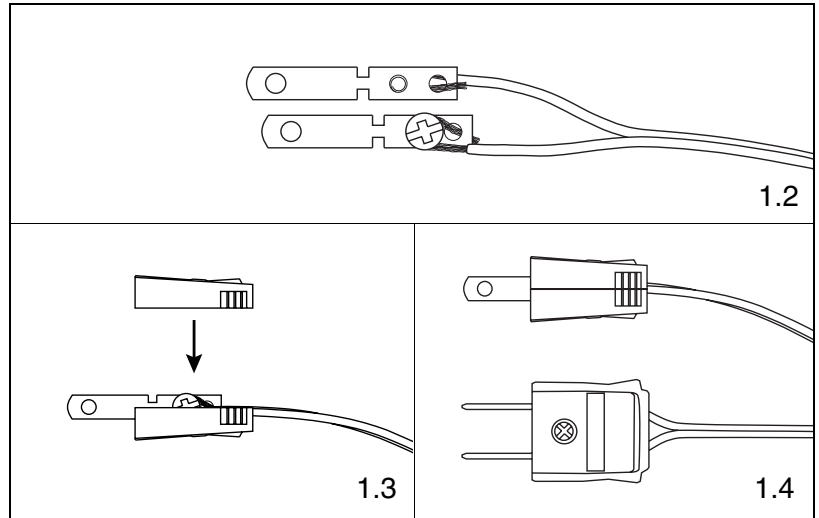
INSTALLATION INSTRUCTIONS PN344

© Panduit Corp. 2003

PZAEFAN INSTALLATION

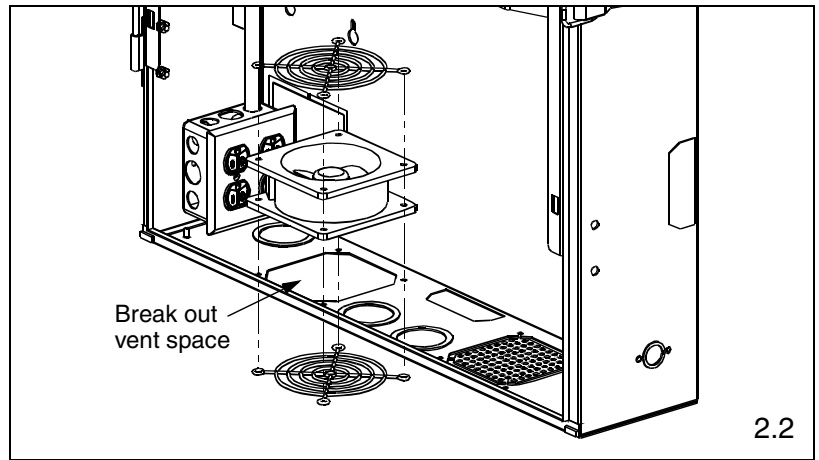
1. Plug Termination

- 1.1 Determine length of power cord needed. Strip off the insulation approximately 1".
- 1.2 Wrap the exposed wire around the terminal screw as shown and tighten to hold in place. Repeat for other terminal.
- 1.3 Align the notches of the terminals with the grooves on the inside of the plug half. Set terminals into one of the plug halves and hold in place.
- 1.4 While holding the terminals, place the remaining plug half on top. Secure with screw.



2. Fan Installation

- 2.1 Fan location should be determined based on the selected location of the power device. Break out desired vent space on bottom of enclosure.
 - 2.2 Install fan to enclosure as shown. The fan and the top fan guard are placed on the inside of the enclosure. The bottom fan guard is placed on the outside of the enclosure. Screw together from the bottom.
 - 2.3 Attach power cord to fan.
- Note: Air should blow into the enclosure.



PZAELOCK INSTALLATION

1. Knockout the two large holes directly opposite from the hinges on the cover.
2. Slide in lock body and attach lock hook with supplied screw. Make sure hook is facing out.

