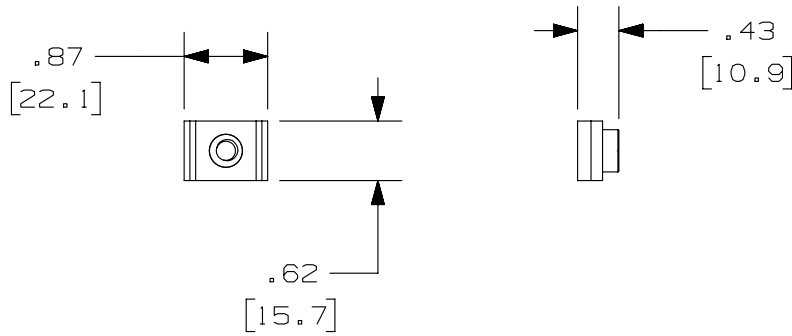
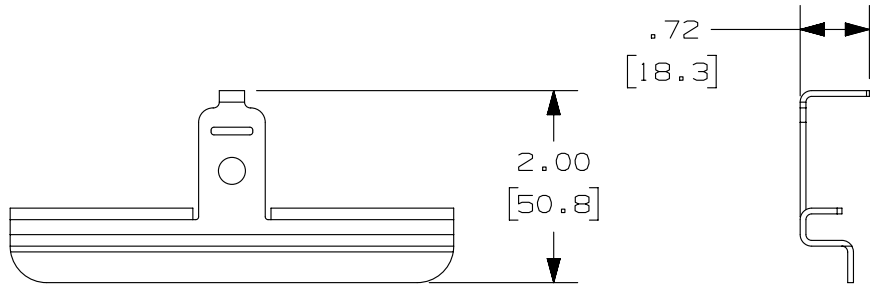
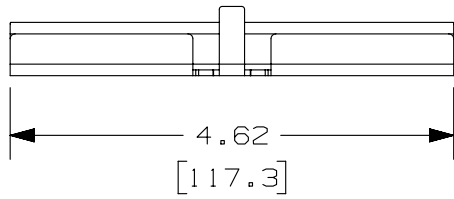


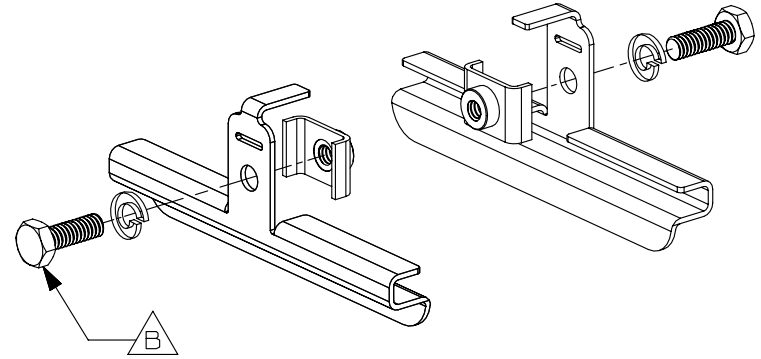
THIS COPY IS PROVIDED ON A RESTRICTED BASIS AND IS NOT TO BE USED IN ANY WAY DETRIMENTAL TO THE INTERESTS OF PANDUIT CORP.



PANDUIT PART NUMBER	WEIGHT
WGESPL**	.32 LBS (145.2 g)

NOTES:

- PANDUIT PART NUMBER WGESPL** INCLUDES:
 - TWO (2) WYR-GRID SIDE SPLICES
 - TWO (2) WYR-GRID SPLICE CLIPS
 - TWO (2) 1/4-20 X 3/4" LONG HEX HEAD CAP SCREWS
 - TWO (2) 1/4-20 HELICAL SPRING LOCKWASHER
- DIMENSIONS IN PARENTHESES ARE METRIC.
- SEE CATALOG FOR ADDITIONAL PART SUFFIXES TO INDICATE PART FINISH AND/OR PACKAGING.



REV	DATE	BY	CHK	APR	DESCRIPTION	ECN
2	01-07-15	SSP	DWW		RELEASED TO PRODUCTION B. HEX HEAD CAP SCREW WAS 1/4-20 X 5/8	V09000EL
1	07-29-14	SSP	DWW		A. REVISED PART NAME FROM 'SIDE SPLICE' TO 'SPLICE W/ CLIP'	
R	06-13-14	SSP	DWW		DRAWING RELEASED	

TITLE		WYR-GRID SPLICE W/ CLIP (WGESPL**)	
ITEM REVISION NAME		CUSTOMER DRAWING	
DATASET FILE NAME		13D373BI/00	
DATASET FILE NAME		13D373BI.DC/00C WGESPL**	
UNLESS OTHERWISE SPECIFIED, DIMENSIONAL TOLERANCES ARE: IN (mm)		PANDUIT MATERIAL: STEEL	
.X ± .XX ± .05 [1.3]		ANGLES ± 5 ° THIRD ANGLE PROJECTION	
DRAWN BY		SSP	
DATE		06-13-14	
CHK		DWW	
SCALE		NONE	
DRAWING NUMBER:		13D373BI-DC	
SHT 1 OF 1		A	