

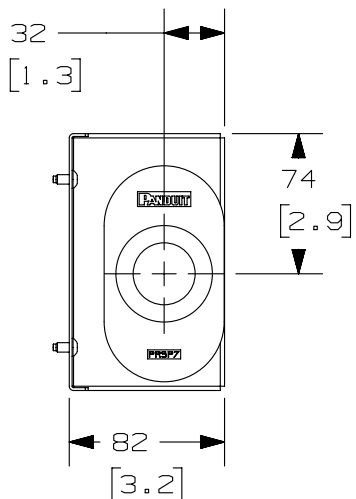
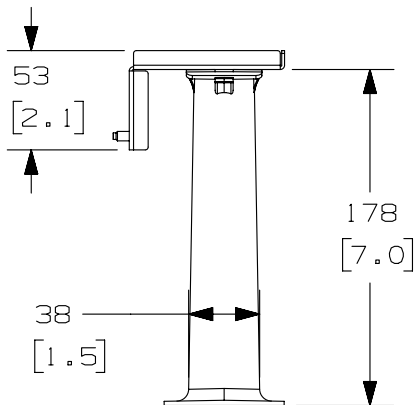
THIS COPY IS PROVIDED ON A RESTRICTED BASIS AND IS NOT TO BE USED IN ANY WAY DETRIMENTAL TO THE INTERESTS OF PANDUIT CORP.

NOTES:

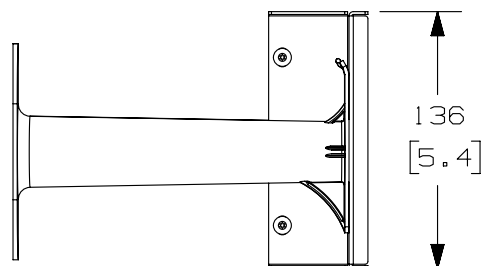
1. IDENTIFICATION: NETWORK END OF ROW SLACK SPOOL

PART NO.  
NERSS

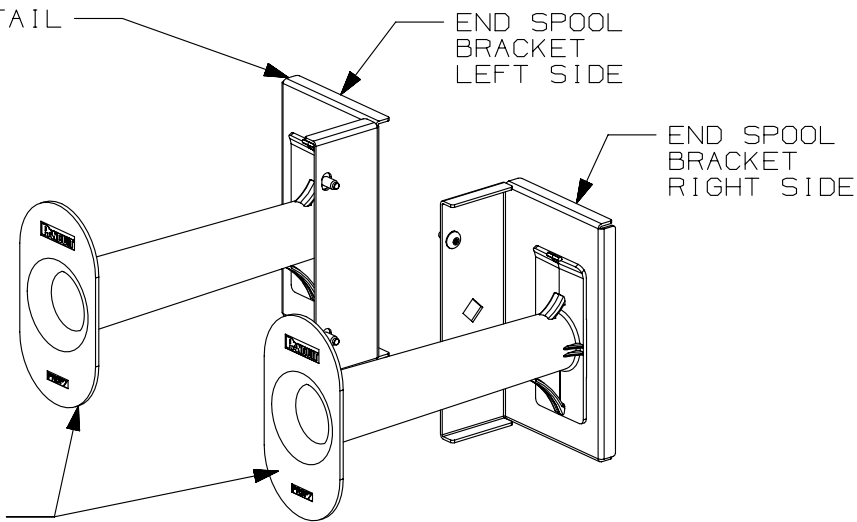
2. PRIMARY DIMENSIONS ARE IN MILLIMETERS (mm).
3. PARTS SUPPLIED:
  - (1)-RIGHT SIDE END SPOOL BRACKET
  - (1)-LEFT SIDE END SPOOL BRACKET
  - (2)-MOLDED SPOOLS (PN: PRSP7)
  - (1)-HARDWARE KIT
    - (4) M5 X 0.8mm SCREWS
  - (1)-INSTRUCTION SHEET
4. MOUNTS TO SIDE OF CABINET POSTS.



SEE SHEET 2 FOR DETAIL  
VIEWS OF LEFT SIDE  
END SPOOL BRACKET



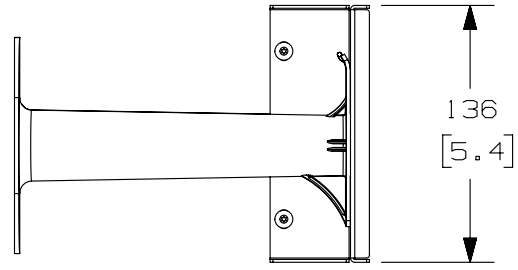
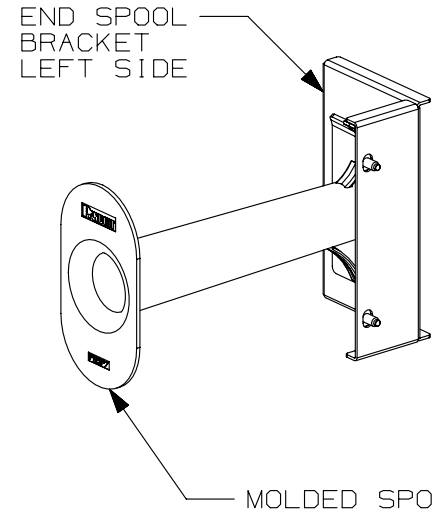
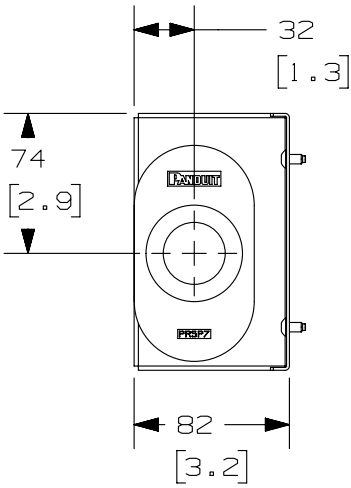
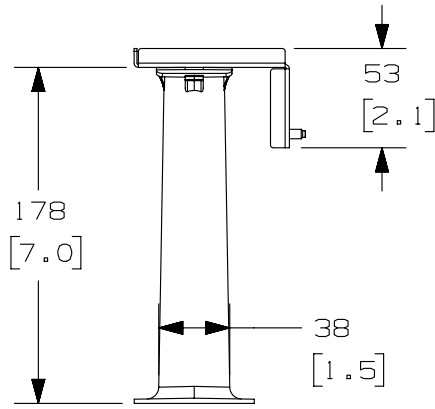
MOLDED SPOOL



OOA	6/17/13	PBS	RAMA	JDWE	RELEASED TO PRODUCTION								
REV	DATE	BY	CHK	APR	DESCRIPTION								

TITLE			
(NERSS) NETWORK END OF ROW SLACK SPOOL CUSTOMER DRAWING			
ITEM REVISION NAME		13V377GW/00.PRT	
DATASET FILE NAME		13V377GW_DC/00A.PRT	
UNLESS OTHERWISE SPECIFIED, DIMENSIONAL TOLERANCES ARE:			
INCHES	METRIC - MILLIMETER	ANGLE	
X.X +/- 0.03	X +/- 0.8	+/- 1°	
X.XX +/- 0.018	X.X +/- 0.46		
X.XXX +/- 0.007	X.XX +/- 0.18		
DRAWING NUMBER:			MATERIAL/COLOR:
13V377GW			N/A
THIRD ANGLE PROJECTION			DRAWING NUMBER:
			13V377GW
DRAWN BY	DATE	CHK	SCALE
PBS	6/17/13	RAMA	NONE

THIS COPY IS PROVIDED ON A RESTRICTED BASIS AND IS NOT TO BE USED IN ANY WAY DETRIMENTAL TO THE INTERESTS OF PANDUIT CORP.



OOA	6/17/13	PBS	RAMA	JDWE	SEE SHEET 1 OF 2 FOR REVISIONS		13V377GW	
REV	DATE	BY	CHK	APR	DESCRIPTION		ECN	

TITLE (NERSS) NETWORK END OF ROW SLACK SPOOL CUSTOMER DRAWING			
ITEM REVISION NAME 13V377GW/00.PRT		<b>PANDUIT</b> ™	
DATASET FILE NAME 13V377GW_DC/00A.PRT			
UNLESS OTHERWISE SPECIFIED, DIMENSIONAL TOLERANCES ARE:			MATERIAL/COLOR: N/A
INCHES	METRIC - MILLIMETER	ANGLE	
X.X +/- 0.03	X. +/- 0.8	+/- 1°	
X.XX +/- 0.018	X.X +/- 0.46		
X.XXX +/- 0.007	X.XX +/- 0.18		
DRAWN BY PBS		DRAWING NUMBER: 13V377GW	
DATE 6/17/13		SCALE NONE	
CHK RAMA		SHT 2 OF 2	
ECN		SIZE A	

2

1