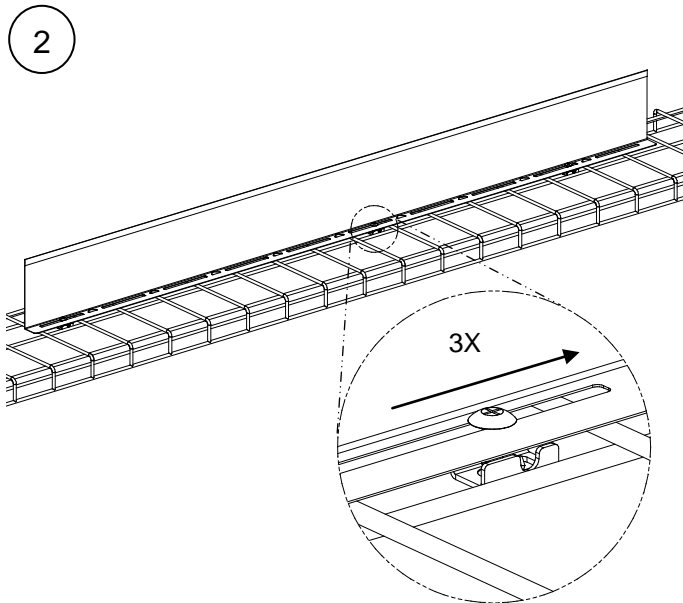
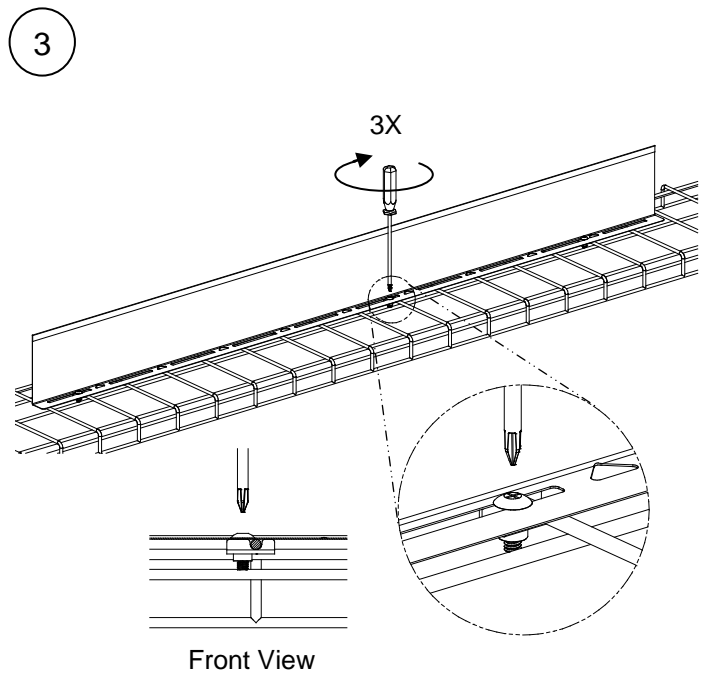


Loosely install 3 clips into desired slots of the Divider Wall and place onto Pathway.

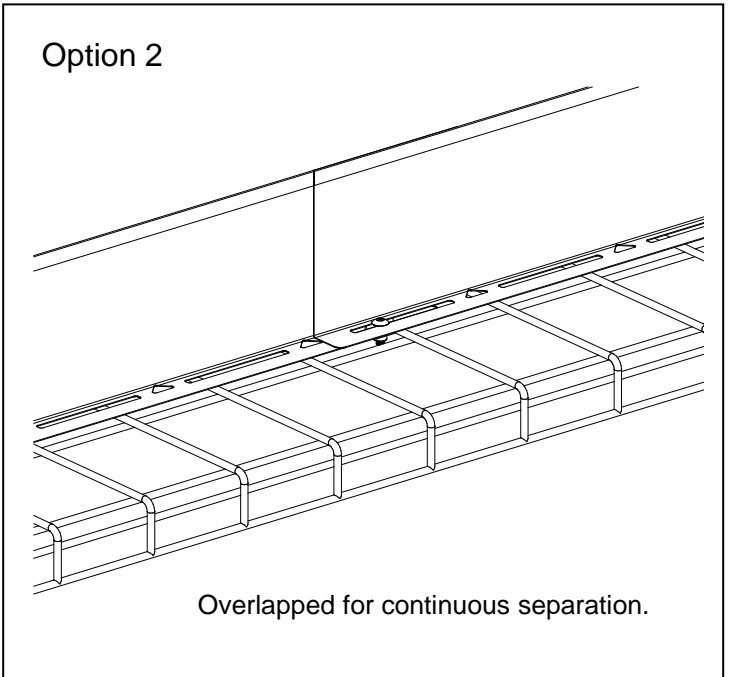
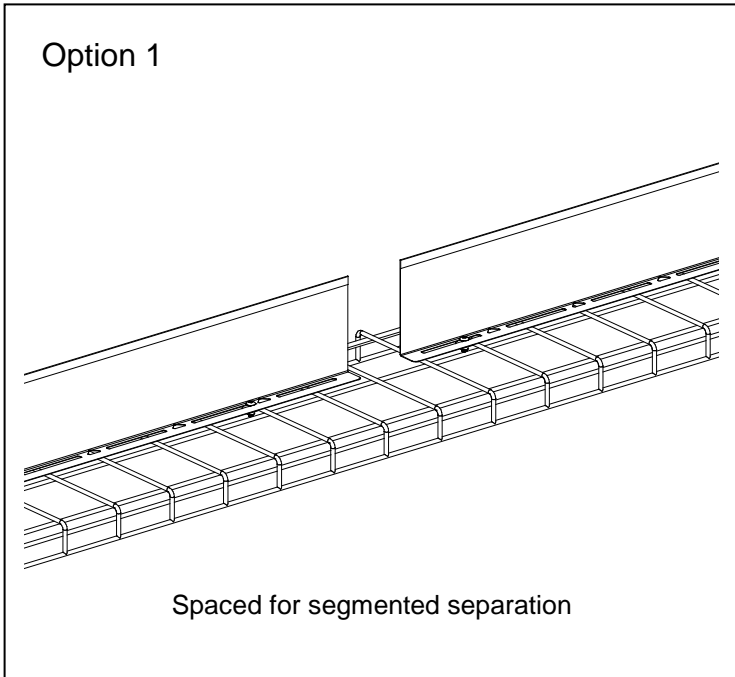


Slide the 3 clips onto the crosswires of the pathway.

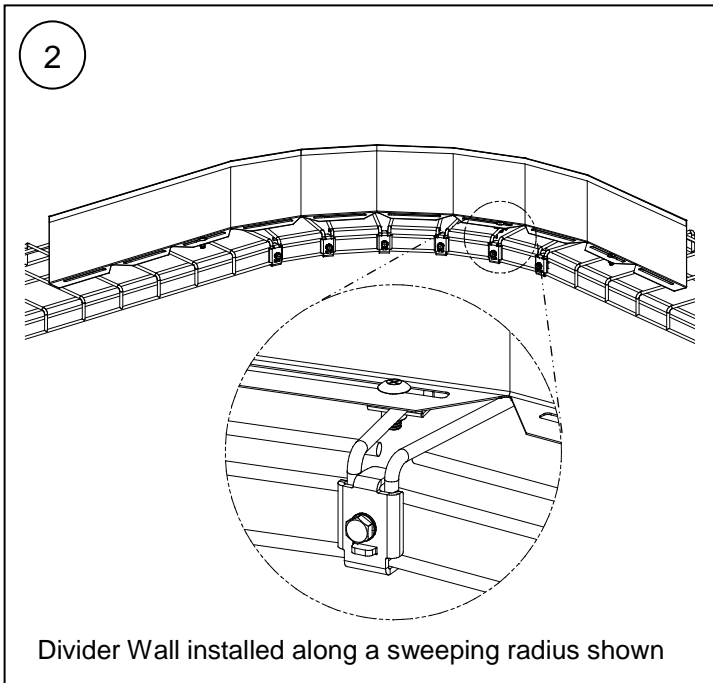
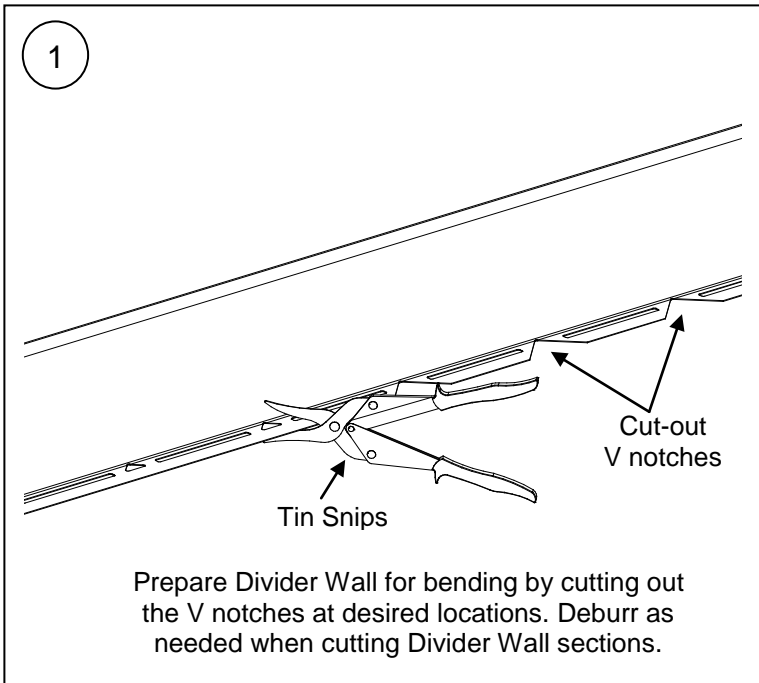


Tighten the screws to a torque of 5 ft/lbs to ensure effective bonding.

Assembly Options for Divider Walls



Steps for Applying Divider Walls to Pathway Directional Changes



<p>For Instructions in Local Languages and Technical Support: www.panduit.com/resources/install_maintain.asp</p>	 www.panduit.com	<p>E-mail: techsupport@panduit.com Phone: 866-405-6654</p>
--	--	---