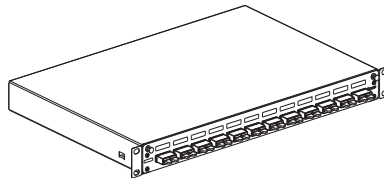
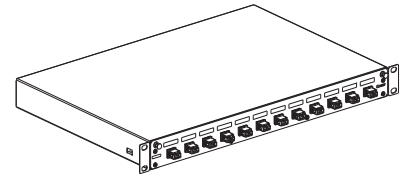


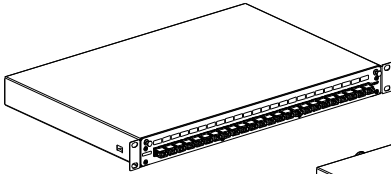
**FD1W6\*\*DSC**



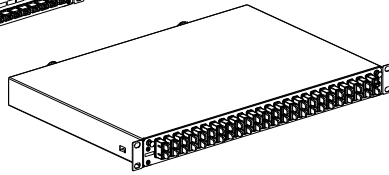
**FD1W12\*\*DSC**



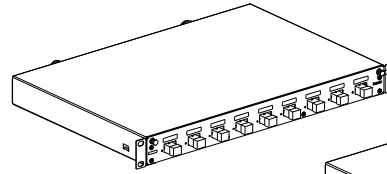
**FD1W12\*\*DLC**



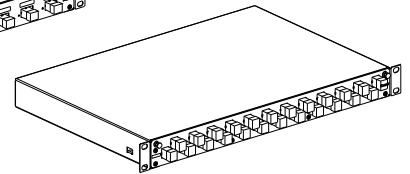
**FD1W24\*\*DLC**



**FD1W24\*\*DSC**



**FD1W12BUDE2KZ**



**FD1W24BUDE2KZ**

#### Accessory Kit

(4) #12-24 x 1/2" Screws, (4) M6 Screws, (1) Fiber Caution Label, (1) Laser Warning Label, (2) Slack Spools and (1) PG11 Gland.

\*\* Denotes adapter color/fiber type: EI (Electric Ivory/OM1 62.5/125µm), BL (Black/OM2 50/125µm), AQ (Aqua/OM3 10Gig 50/125µm), or BU (Blue/OS1/OS2 9/125µm).

**Knockouts for PG11 Glands  
(2 places)  
20mm Diameter**

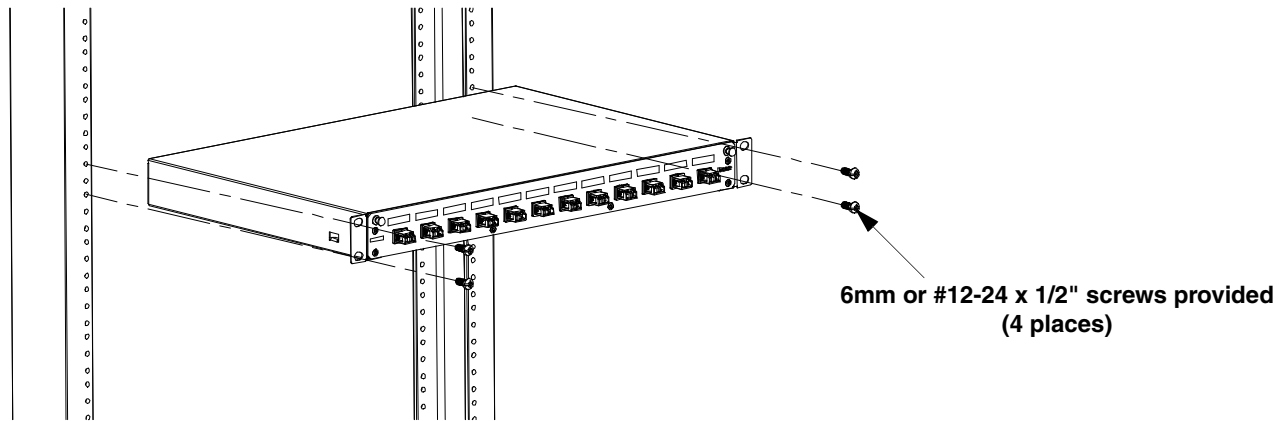
**Knockouts for Blown Fiber Adapters  
(4 places)**

**Knockouts for Rubber Grommets  
(2 places)  
30mm Diameter**

**Drawer Release  
Latches**

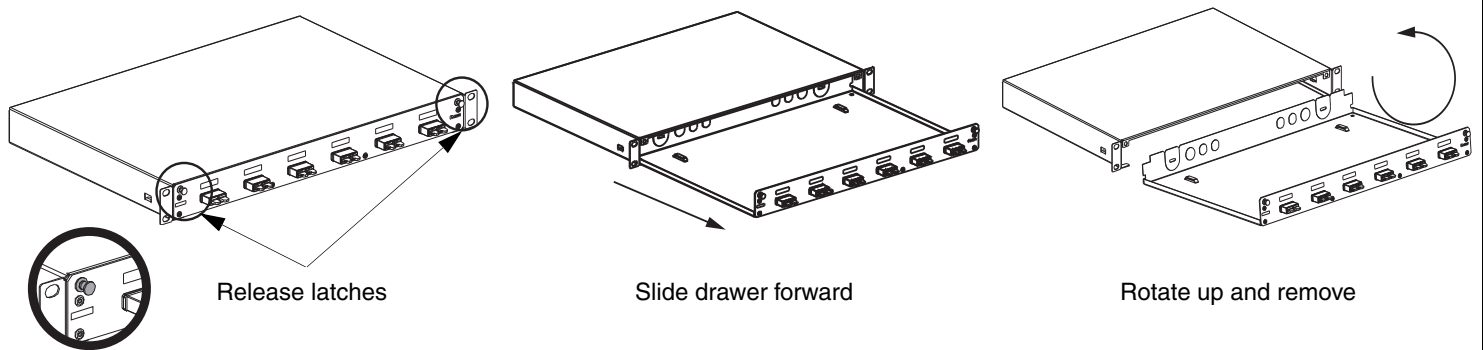
**Provisions for Port  
Identification Labeling**

## Mounting

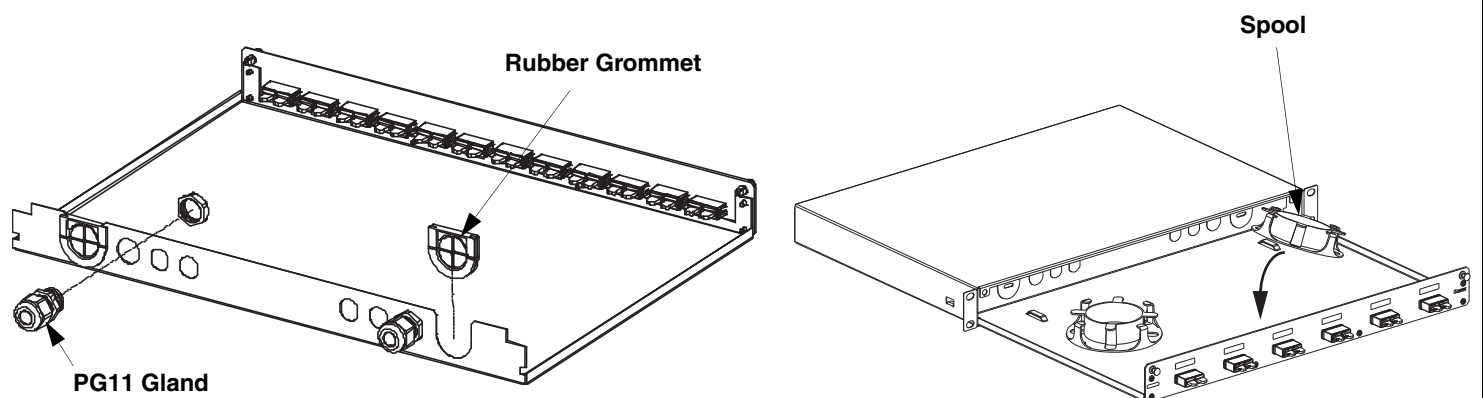


Mount the enclosure to rack using four (4) 6mm or #12-24 x 1/2" screws provided.

## Drawer Opening and Removal



## Grommet, Gland, and Spool Installation



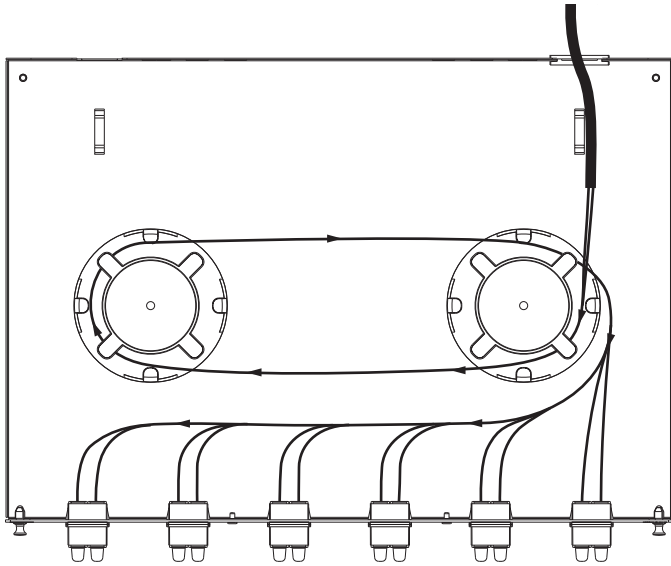
Remove knockouts and insert grommets and/or glands as shown above.

Remove the liner from the tape underneath each fiber management spool. Place the fiber management spools inside the enclosure as shown above.

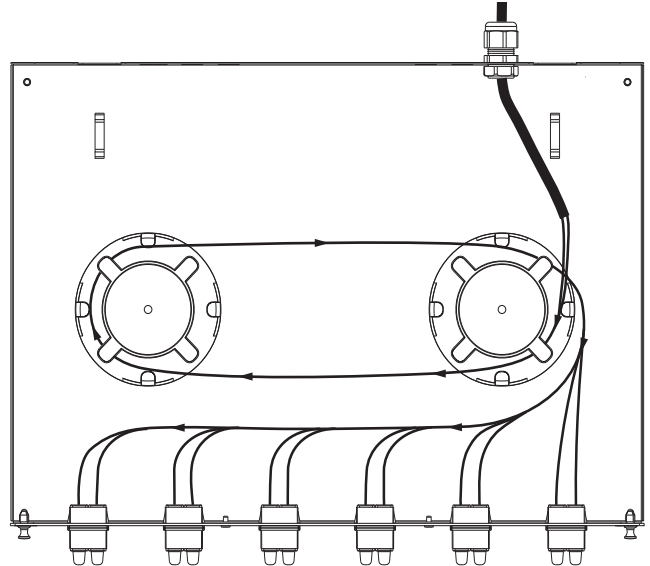
Note: Do not install spools if splicing with Fiber Optic Splice Module (FOSM).

## Typical Cable Routing Options

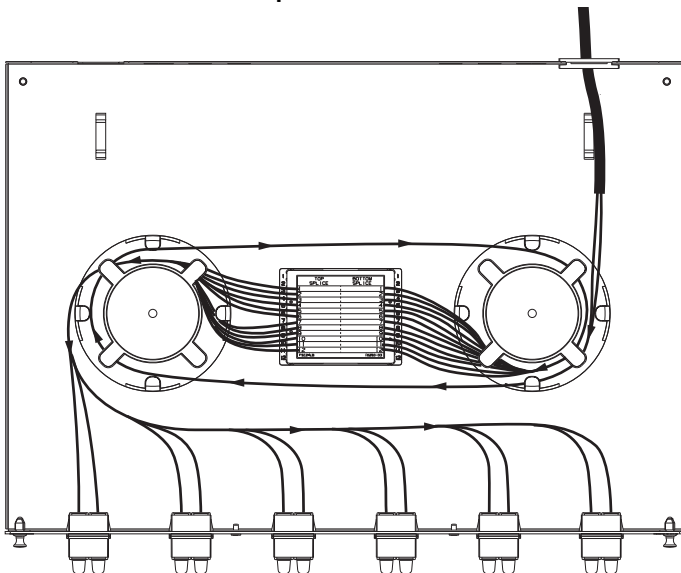
**Grommet with Pre-Terminated Trunk or Field Termination**



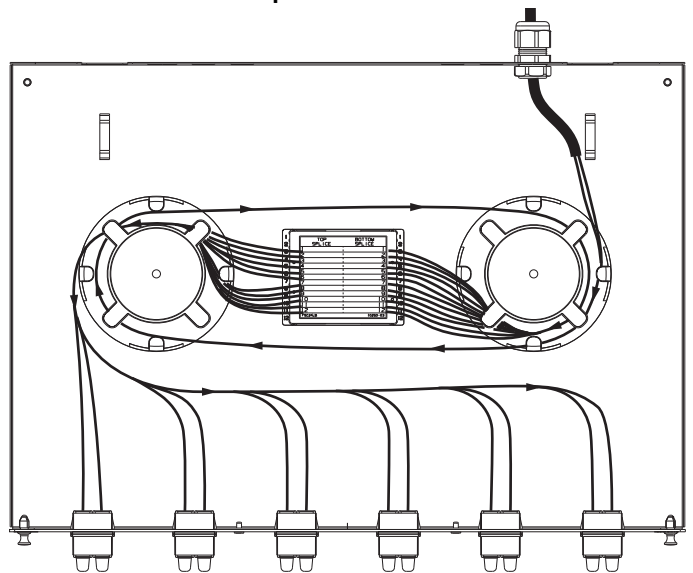
**PG11 Gland with Pre-Terminated Trunk or Field Termination**



**Grommet with splicing using the FSC24 Splice Sleeve Holder**



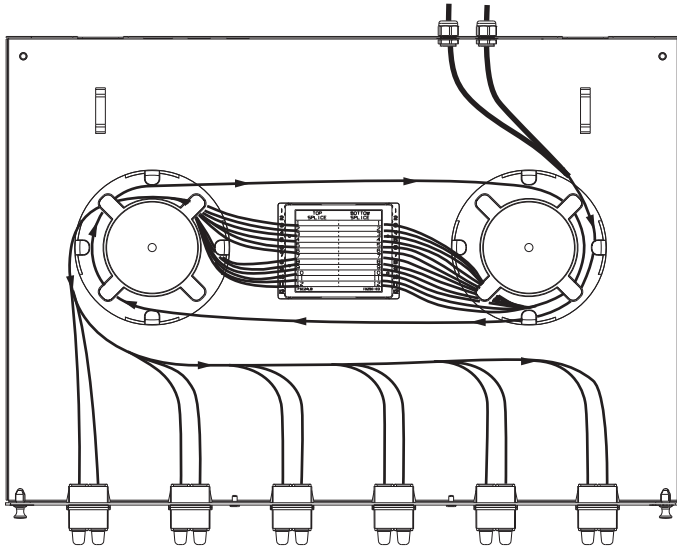
**PG11 Gland with splicing using the FSC24 Splice Sleeve Holder**



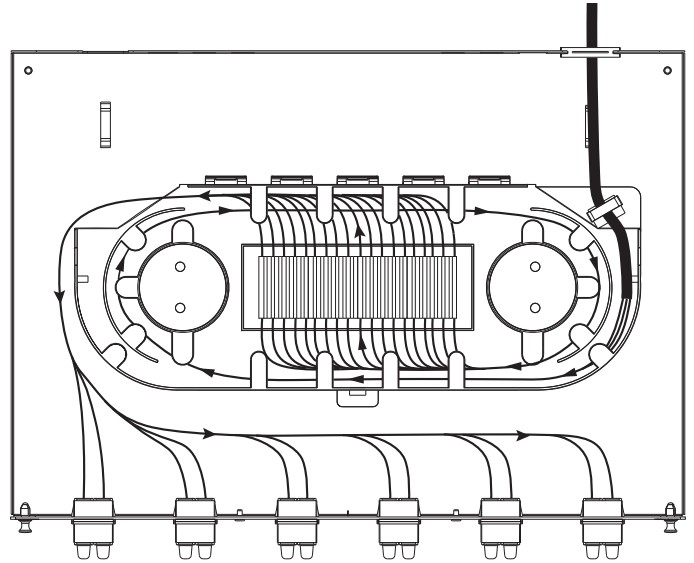
### Typical Cable Routing Options (continued)

**FOSM installation:** Place double stick tape underneath FOSM and locate the FOSM in the enclosure as shown.

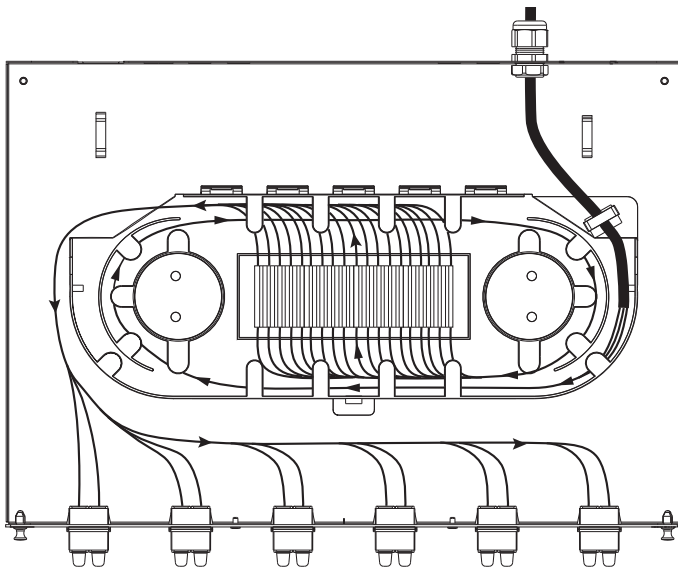
**Blown Fiber with splicing using the FSC24 Splice Holder**



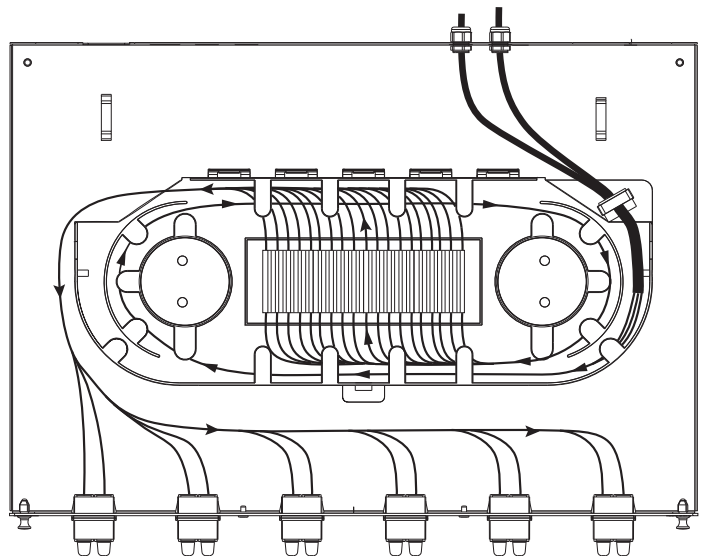
**Grommet with splicing using the Fiber Optic Splice Module (FOSM)**



**PG11 Gland with splicing using the Fiber Optic Splice Module (FOSM)**



**Blown Fiber with fusion splicing using the Fiber Optic Splice Module (FOSM)**



For Instructions in Local Languages  
and Technical Support:

[www.panduit.com/resources/install\\_maintain.asp](http://www.panduit.com/resources/install_maintain.asp)

**PANDUIT**

[www.panduit.com](http://www.panduit.com)

E-mail:  
[techsupport@panduit.com](mailto:techsupport@panduit.com)

Phone:  
866-405-6654