

FRME1

Contents:

- (1) FRME Enclosure
- (1) Port I.D. Label
- (2) EIA Enclosure Brackets
- (1) FRME Kit

FRME Kit Contents:

- (1) Grounding Lug
- (2) Cable Ties
- (1) #10-32 x 3/8" Screw
- (1) #10-32 x 1/4" Screw
- (4) #12-24 x 1/2" Screws
- (4) M6 x 1.0 x 15MM Screws
- (1) Fiber Caution Label
- (1) Fiber Laser Warning Label
- (2) Grommets
- (2) #10-32 Hex Nuts
- (1) Strain Relief Clip

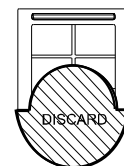
Assembly Instructions

Determine the cable entry location on the enclosure. Remove the knockout by inserting a screwdriver into the slot located in the center of the knockout and apply a twisting downward motion then lift out. Insert grommet following proper cutting diagram. Grounding Lug attaches to a stud at the rear, inside the enclosure on the top or bottom with a #10-32 nut. Apply Laser Warning Label and Caution Label in a clearly visible location. Apply Port I.D. Label(s) on the inside of the tray.

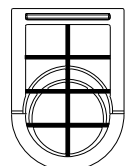
GROMMET CUTTING DIAGRAM



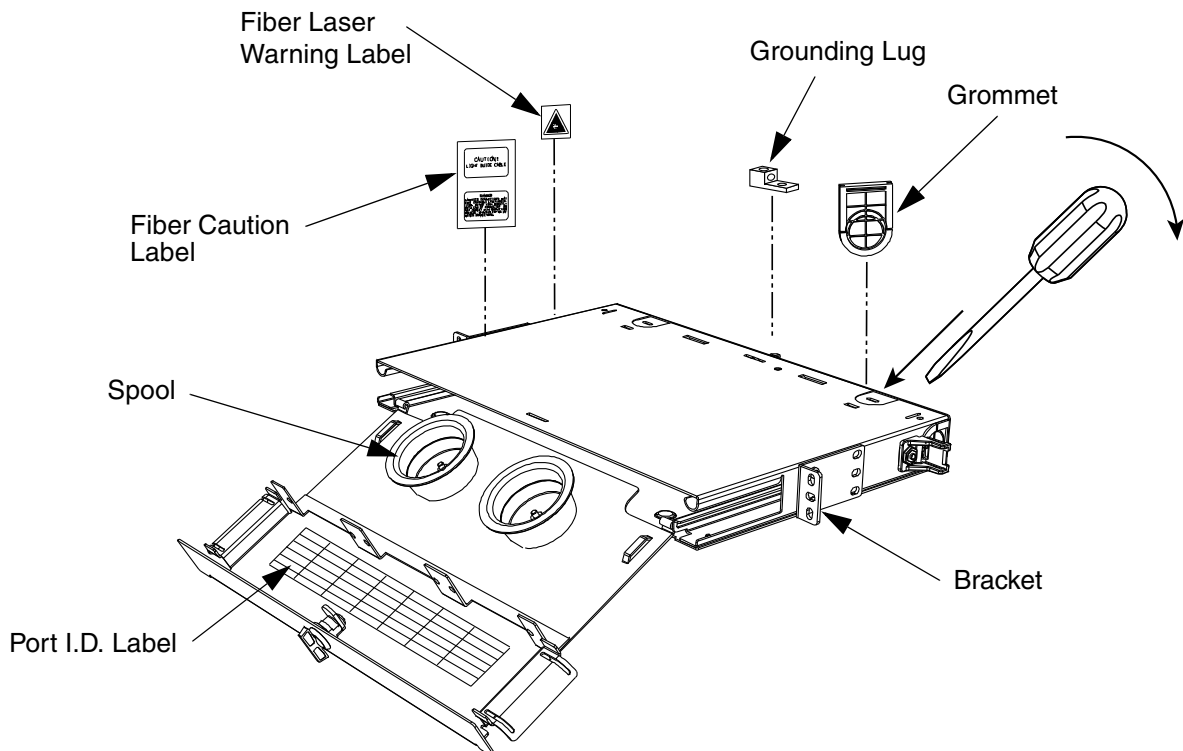
Cut the small circle for 1" diameter innerduct

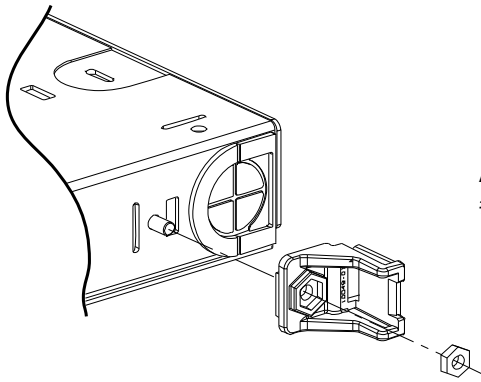


Cut the large circle for 1-1/2" diameter innerduct

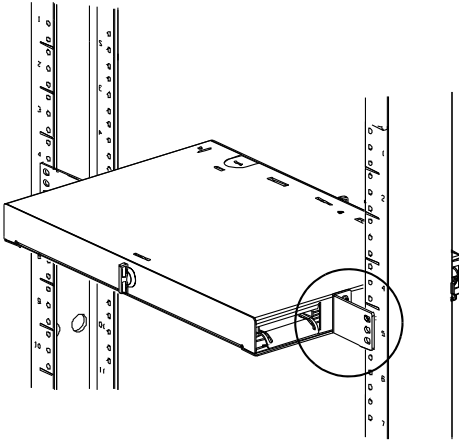


Cut the straight lines when not using any innerduct



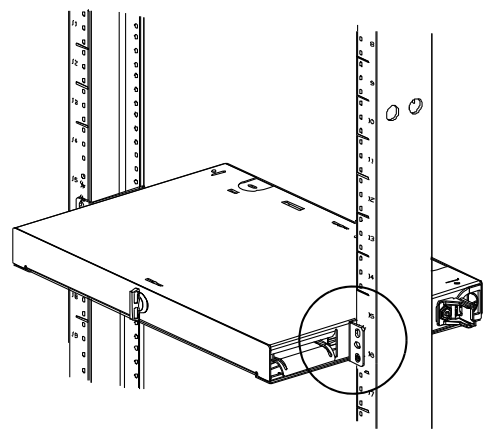


Attach Strain Relief Clip with the #10-32 screw and nut provided.



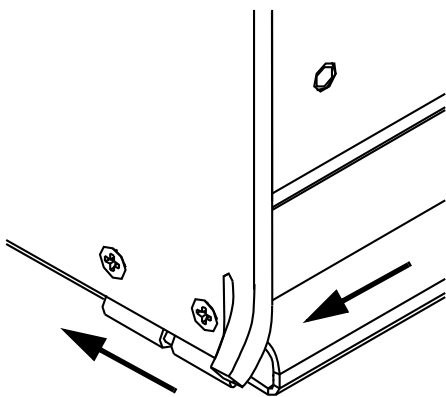
Bracket orientation for 23 inch rack

Attach the short leg of the bracket to the enclosure.



Bracket orientation for projection mount on a 19 inch rack

Locate rack bracket on the mid enclosure mounting holes for projection mounting



To remove the rear door, deflect the release tab and slide the door off its hinge.

For Instructions in Local Languages and Technical Support:

www.panduit.com/resources/install_maintain.asp

PANDUIT

www.panduit.com

E-mail: techsupport@panduit.com

Phone: 866-405-6654