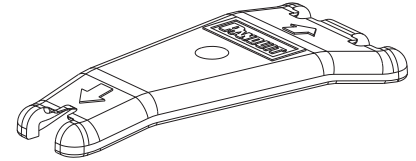
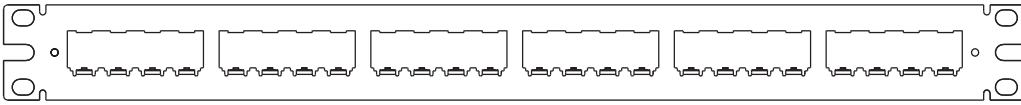
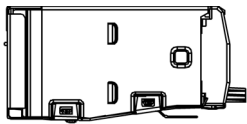


## Components

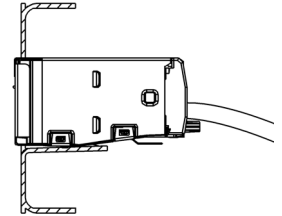
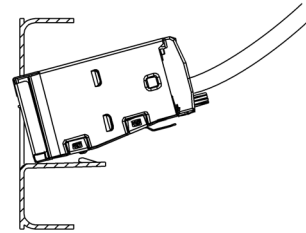
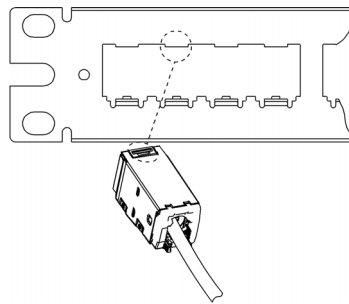


## Modules



Shielded Jack Modules

## Installation



Rear cable management recommended to provide additional support for cable.

## Mounting with standard mounting hardware

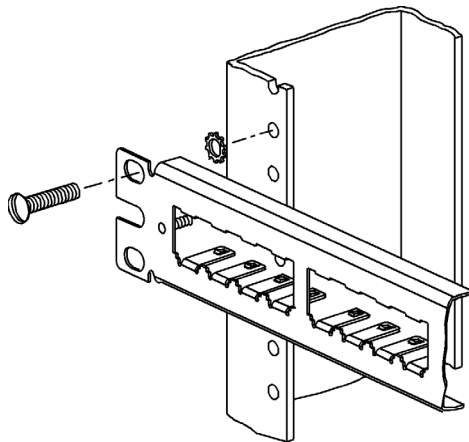
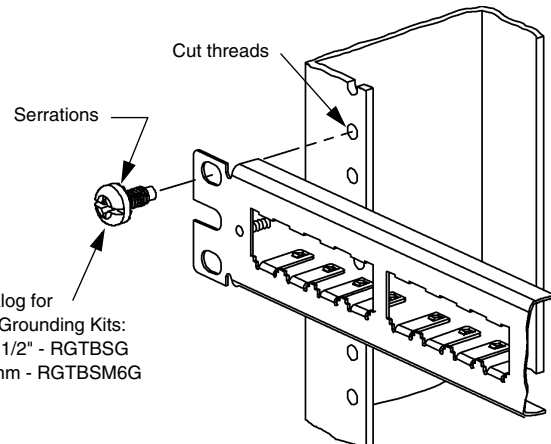


Fig. 1

## Grounding Options

Panduit offers two options for grounding patch panels:

Option #1 is the preferred method of grounding a patch panel with the optional green grounding screw kits (sold separately). The green screws ground in 2 ways. One is through the thread forming screw body. Second is through the serrations under the screw head. See Fig. 2.

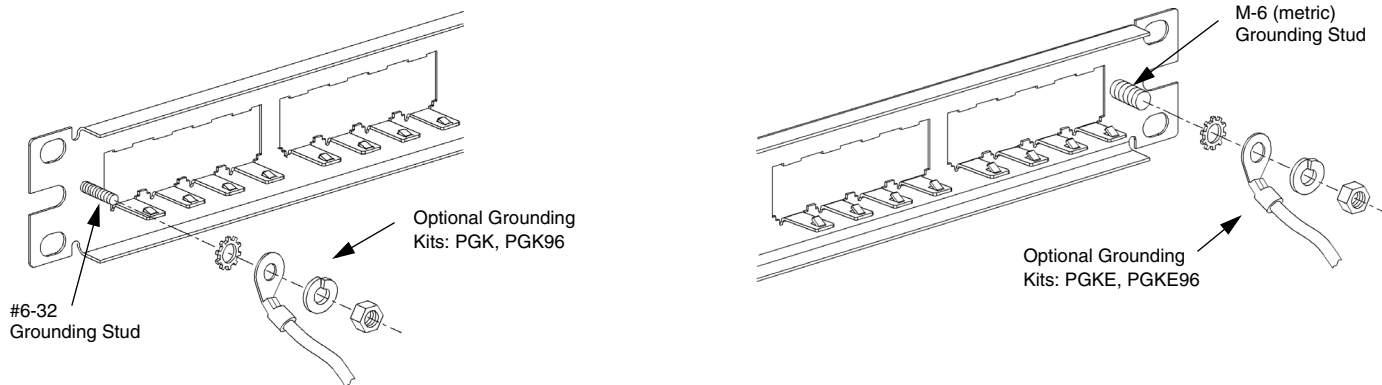


See Catalog for  
Optional Grounding Kits:  
#12-24 x 1/2" - RGTBSG  
M6 x 15mm - RGTBSM6G

Fig. 2

### Grounding Options (continued)

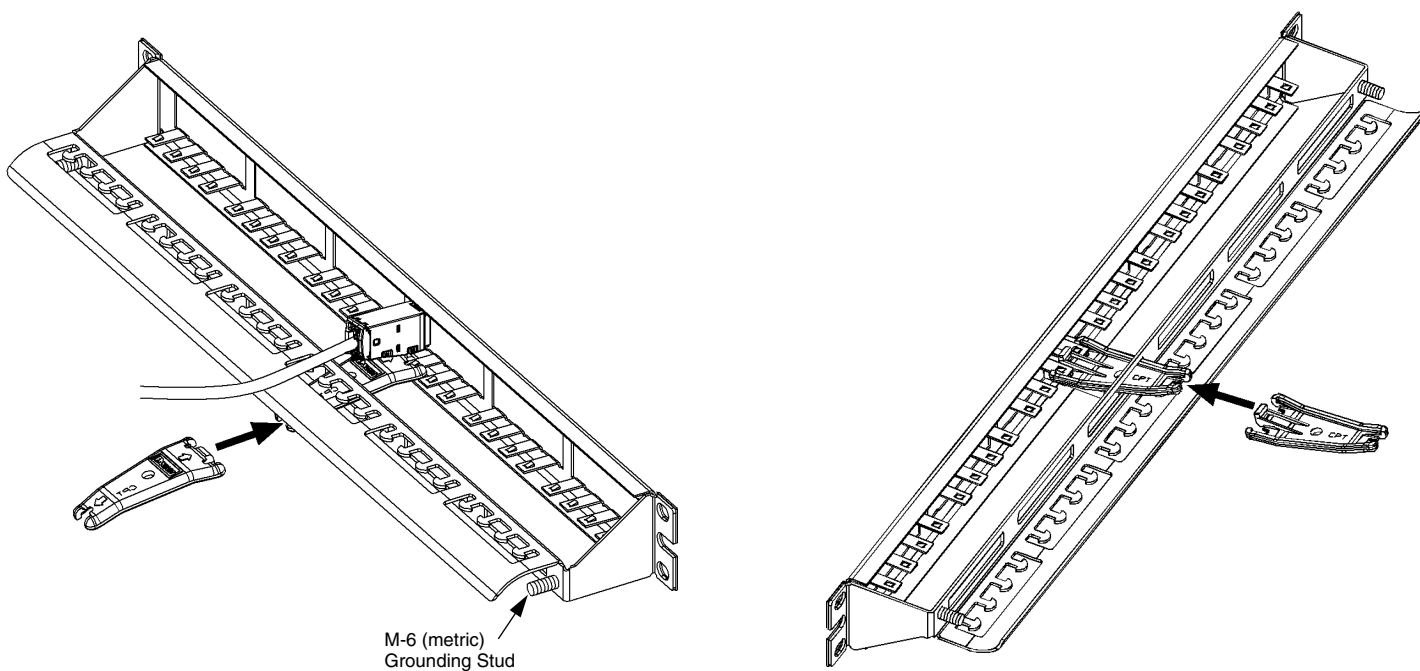
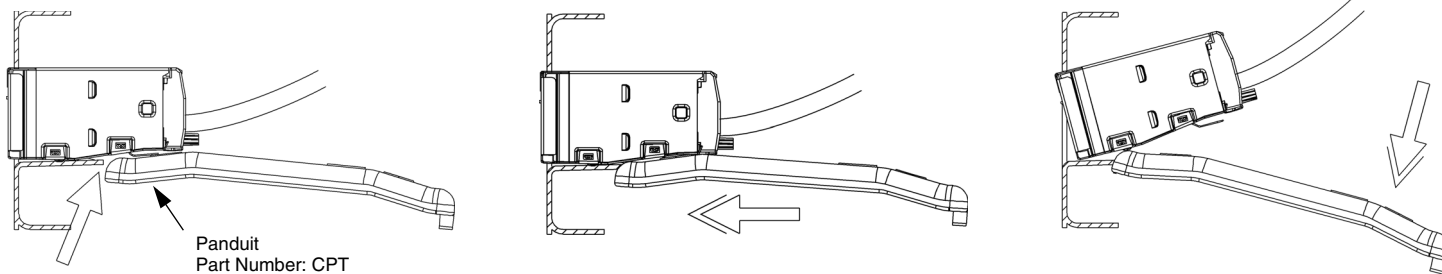
Fig. 3



Option #2 supports legacy systems. This method uses the built-in grounding stud on metal panels and grounding strap that comes in a kit (sold separately). See Fig. 3.

For details on the complete offering of "Structured Ground" Grounding system, refer to [www.panduit.com/dcgrounding](http://www.panduit.com/dcgrounding)

### Removal



<p>For Instructions in Local Languages and Technical Support: <a href="http://www.panduit.com/resources/install_maintain.asp">www.panduit.com/resources/install_maintain.asp</a></p>	<p><b>PANDUIT</b> <a href="http://www.panduit.com">www.panduit.com</a></p>	<p>E-mail: <a href="mailto:techsupport@panduit.com">techsupport@panduit.com</a></p> <p>Phone: (866) 405-6654</p>
--	--	--