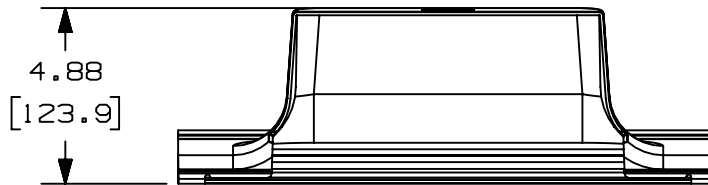
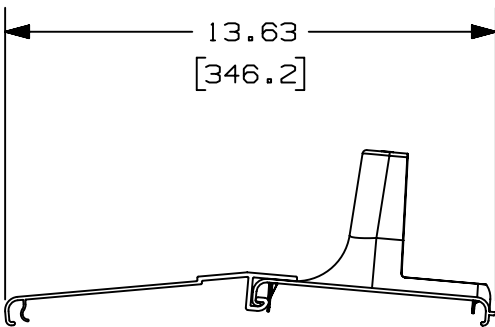
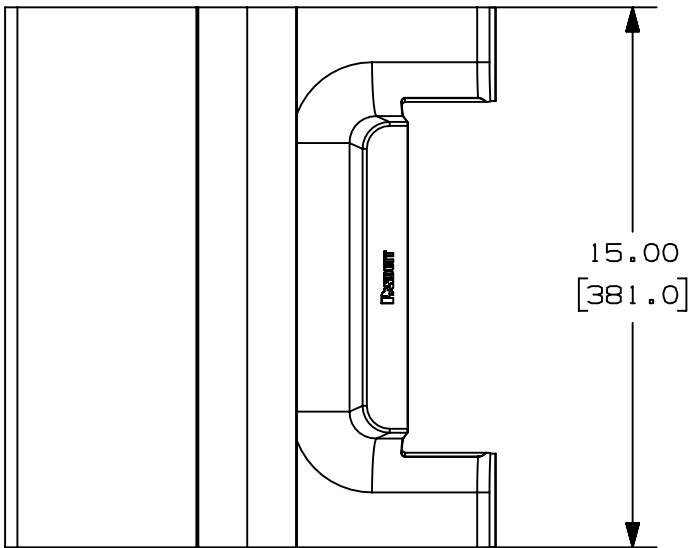


THIS COPY IS PROVIDED ON A RESTRICTED BASIS AND IS NOT TO BE USED IN ANY WAY DETRIMENTAL TO THE INTERESTS OF PANDUIT CORP.

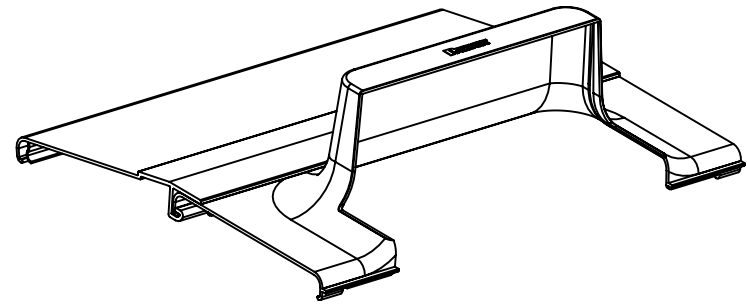


PANDUIT PART NUMBER	WEIGHT	MATERIAL
FRSPJC412**	1.5 LB/EACH (680g/EACH)	ABS/PC
FRSPJC412L**	1.5 LB/EACH (680g/EACH)	PC-ABS/PC



NOTES:

1. SEE CURRENT CATALOG FOR ADDITIONAL PART SUFFIXES TO INDICATE COLOR AND/OR PACKAGE QUANTITY.
2. DIMENSIONS IN PARENTHESES ARE IN METRIC.

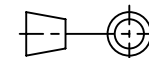


TITLE
FIBERRUNNER SPILL-OVER JUNCTION
WITH 4x4 EXIT - FIBERRUNNER 12x4
CHANNEL COVER (FRSPJC412, FRSPJC412L**)**

ITEM REVISION NAME
D39851CC/00

DATASET FILE NAME
D39851CC_DC/01A

UNLESS OTHERWISE SPECIFIED,
 DIMENSIONAL TOLERANCES ARE:
 (.X) ± .03 (.8) (.XXX) ± .03
 (.XX) ± .03 (.8) ANGLES ±



THIRD ANGLE PROJECTION

PANDUIT

MATERIAL:
SEE PART NUMBER
TABLE ABOVE

DRAWING NUMBER:
39851 - 26

DRAWN BY MSO	DATE 7-7-09	CHK EB	SCALE NONE	SHT 1 OF 1	SIZE A
------------------------	-----------------------	------------------	----------------------	-------------------	------------------

REV	DATE	BY	CHK	APR	DESCRIPTION	ECN
01A	1-14-20	MES	DWR	DWR	A. ADDED FRSPJC412L** PART NUMBER	V09002DZ/01