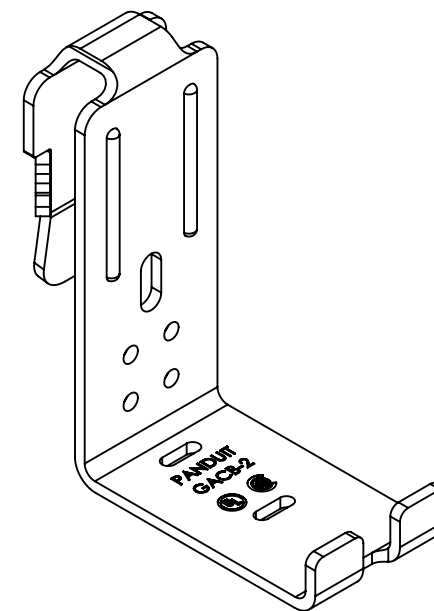
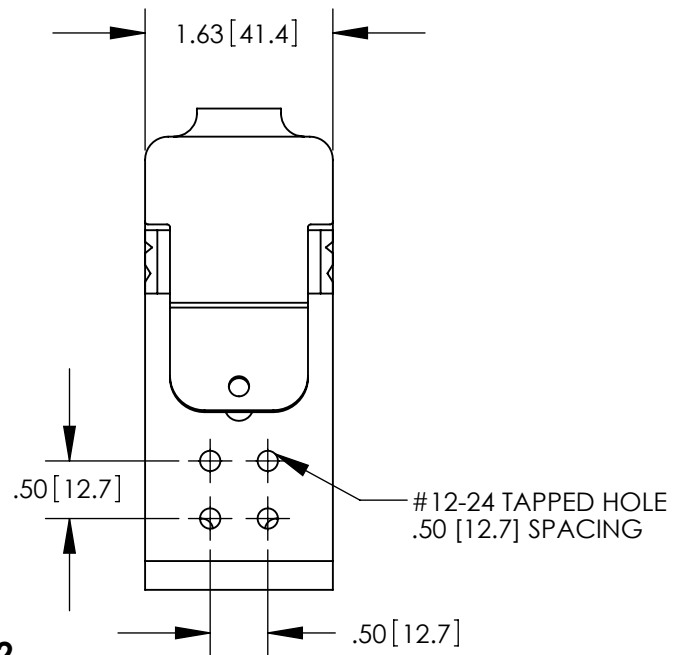
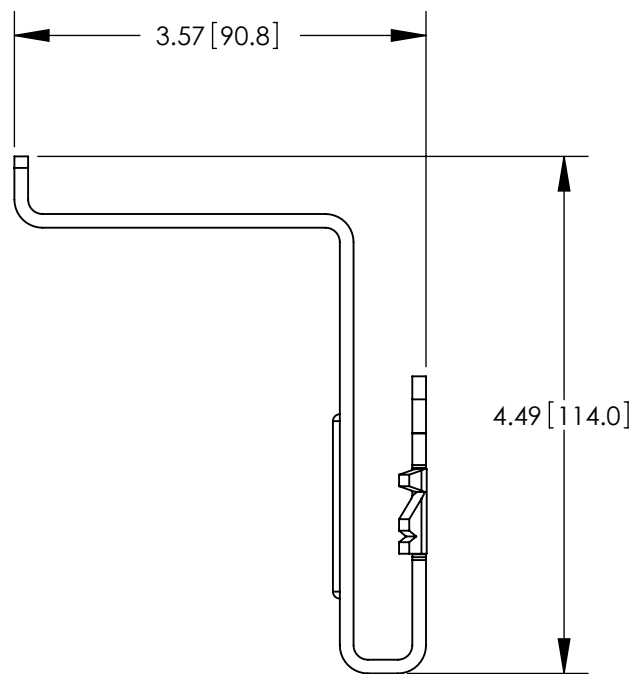


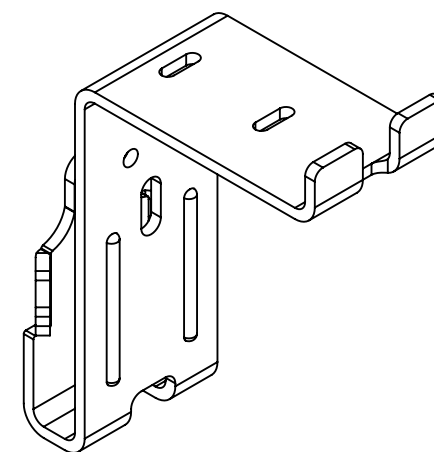
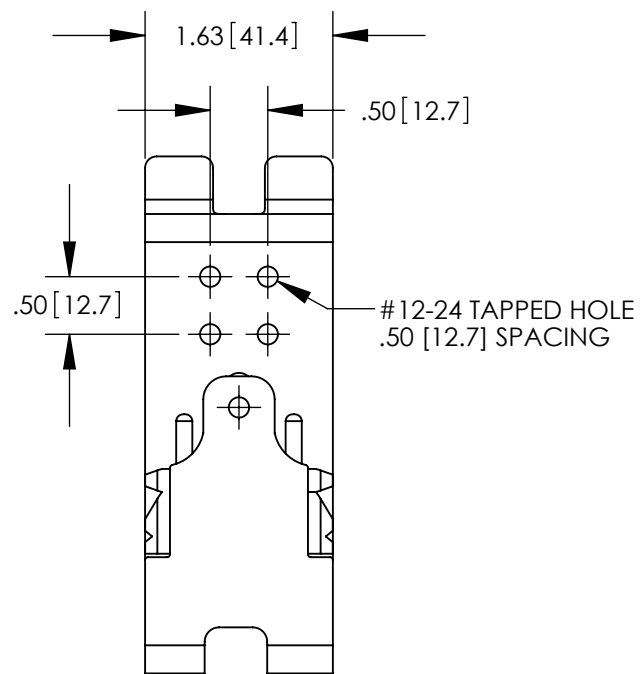
**GACB-2**



**GACB-2**



**GACB-3**



**GACB-3**

NOTES

1. MATERIAL: 0.12 [3.0] THICK STEEL, ZINC PLATED
2. UL LISTED 467 FOR GROUNDING AND BONDING
3. CSA CERTIFIED 22.2
4. COMPATIBLE WITH PANDUIT Wyr-Grid & 1-1/2" & 2" SIDE CHANNEL LADDER RACK.
5. DIMENSIONS IN INCHES. DIMENSIONS IN BRACKETS ARE MILLIMETERS



							TITLE GROUND AUXILIARY CABLE BRACKET (GACB-2, GACB-3) CUSTOMER DRAWING					
							ITEM REVISION NAME 10J013BN/01					
							DATASET FILE NAME 10JD013BN-DC/01.SLDDRW					
							UNLESS OTHERWISE SPECIFIED, DIMENSIONAL TOLERANCES ARE: IN [mm] .X ± .XXX ± .XX ± .02[.5] ANGLES ±					
							THIRD ANGLE PROJECTION					
01	3/13	JHNU	JHNU	RGB	REVISED TITLE BLOCK	10D013BN-JC	DRAWING NUMBER 10D013BN-DC					
REV	DATE	BY	CHK	APR	DESCRIPTION	ECN	DRAWN BY JHNU	DATE 12/11	CHK SRBI	SCALE NONE	SHEET 1 OF 1	SIZE B



SEE NOTES