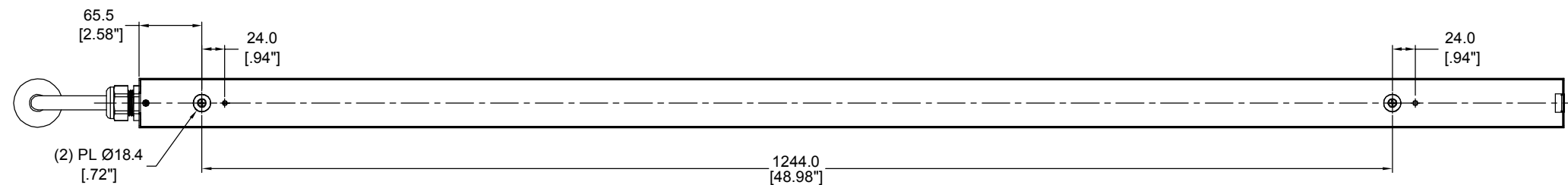


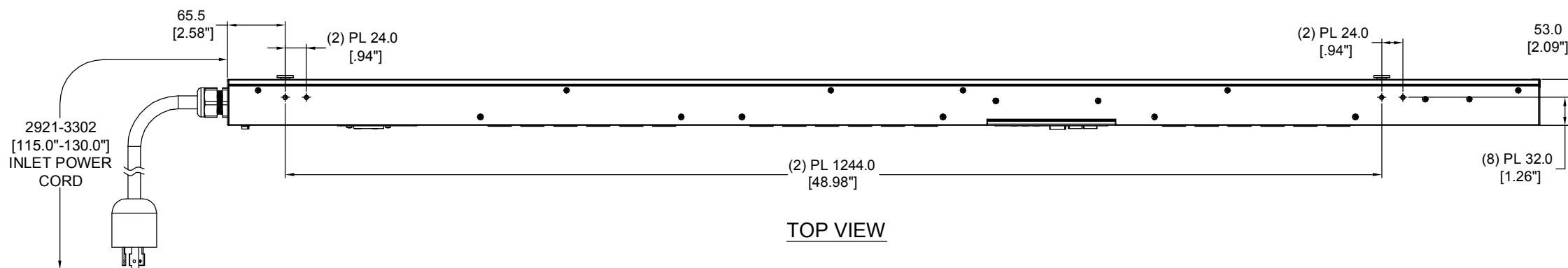
2

1

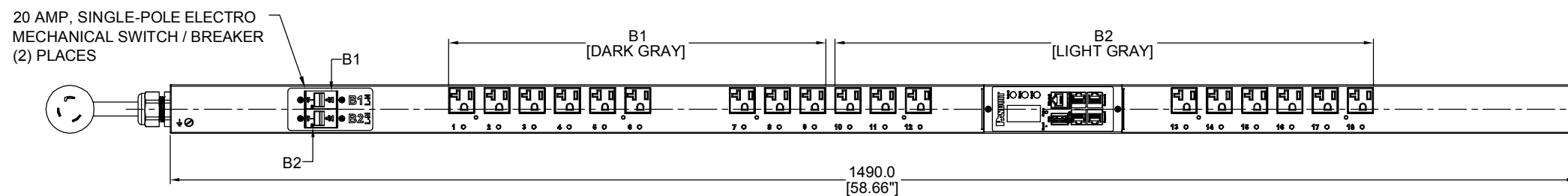
PANDUIT P/N	WEIGHT
P18E23M	7.9kg



REAR VIEW



TOP VIEW

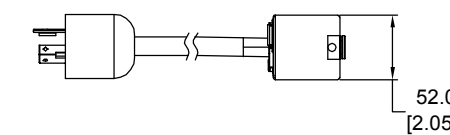


FRONT VIEW

NOTES:

- IDENTIFICATION:

UNIT TYPE:	MONITORED SWITCHED
ORIENTATION:	VERTICAL, MID
OUTLET QTY&TYPE:	(18) 5-20R
BREAKER QTY&TYPE:	(2) 20AMP, SINGLE-POLE
INPUT VOLTAGE:	100-120VAC
INPUT CURRENT:	30A (24A DERATED)
INPUT PHASE:	SINGLE-PHASE
RATED POWER:	2.9 kVA
INPUT PLUG:	NEMA L5-30P
INPUT CORD LENGTH:	3m [10']
- ACCESSORIES:
 - POCKET GUIDE
- RoHS COMPLIANT
- VISIT PANDUIT'S ON-LINE CATALOG AT WWW.PANDUIT.COM FOR ADDITIONAL PRODUCT INFORMATION CONTAINED IN THE SPECIFICATION SHEET AS WELL AS A CURRENT LIST OF PRODUCTS APPLICABLE FOR USE WITH THIS PART
- MAXIMUM ALLOWABLE INPUT POWER = 2.9kW
- INSTALLATION SHALL COMPLY WITH ALL APPLICABLE NATIONAL, STATE, AND LOCAL CODES



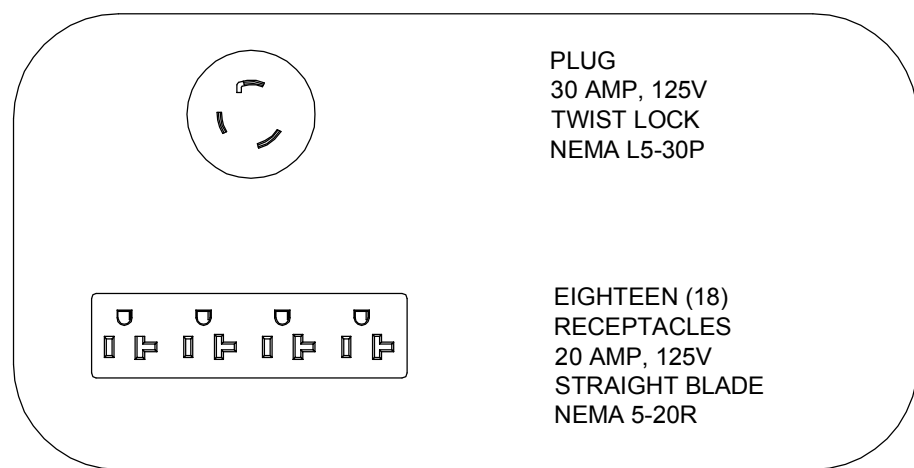
SIDE VIEW

B

B

A

A



2

1

REV	DATE	BY	CHK	APR	DESCRIPTION	ECN
01A	08/02/2017	WSJ	MIM	EDM	INITIAL RELEASE	P18E23M

WE ASK THAT YOU CHECK FULLY THE DIMENSIONS, NOTES, AND SIGN THE CLIENT SIGNATURE BOX. THE JOB WILL NOT PROGRESS WITHOUT SIGNED APPROVAL. PLEASE DO NOT DELAY IN RETURNING PROOF AS IT WILL AFFECT DELIVERY.		SIGN
		DATE
		PRINT
TITLE		
INTELLIGENT SERIES PDU P18E23M CUSTOMER DRAWING		
ITEM REVISION NAME		
DATASHEET FILE NAME:		
UNLESS OTHERWISE SPECIFIED DIMENSIONAL TOLERANCE ARE: mm [IN]		MATERIAL/COLOR:
Tolerance(mm) 0<4.0 ±0.5 50<250 ±1.0 250<500 ±1.5 500<1000 ±2.5 1000<2000 ±4.0		N/A
THIRD ANGLE PROJECTION		DRAWING NUMBER:
		P18E23M_DC
DRAWN BY	DATE	CHK
WSJ	08/02/2017	SEAN
SCALE	SCALE	
NONE	SHT 1 OF 1	
		B