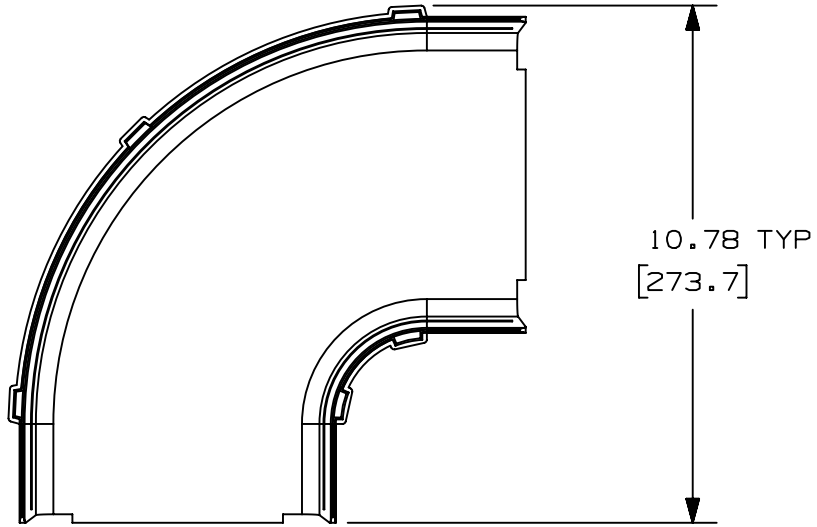


THIS COPY IS PROVIDED ON A RESTRICTED BASIS AND IS NOT TO BE USED IN ANY WAY DETRIMENTAL TO THE INTERESTS OF PANDUIT CORP.

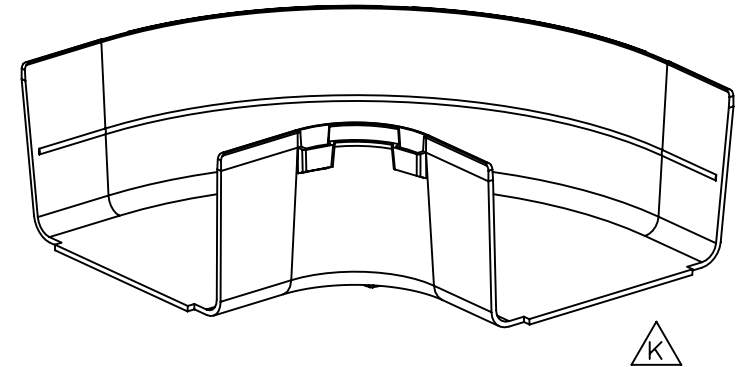
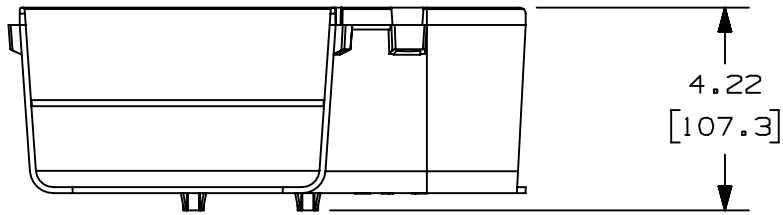


PANDUIT PART NUMBER	WEIGHT	MATERIAL
FRR6X4**	0.8 LB/EACH (363g/EACH)	ABS
FRR6X4L**	0.8 LB/EACH (363g/EACH)	PC/ABS



NOTES:

1. SEE CURRENT CATALOG FOR ADDITIONAL PART SUFFIXES TO INDICATE COLOR AND/OR PACKAGE QUANTITY.
2. THE FIBERRUNNER 6x4 HORIZONTAL RIGHT ANGLE FITTING IS DESIGNED WITH A MINIMUM 2" (50.8) BEND RADIUS TO PROTECT FIBER OPTIC CABLES.
3. DIMENSIONS IN PARENTHESES ARE IN METRIC.



REV	DATE	BY	CHK	APR	DESCRIPTION	ECN
05A	1-16-20	MES	DWR	DWR	L. ADDED FRR6X4L** PART NUMBER	V09002DZ/01
4	05-10-13	JBN	RTFI	RN	K. UPDATED DRAWING BORDER & TITLE BLOCK	37185-60

TITLE FIBERRUNNER 6X4 HORIZONTAL RIGHT ANGLE FITTING FRR6X4**, FRR6X4L**		PANDUIT
CUSTOMER DRAWING		
ITEM REVISION NAME D37185EN/03		MATERIAL: SEE PART NUMBER TABLE ABOVE
DATASET FILE NAME D37185EN_DC/05A		
UNLESS OTHERWISE SPECIFIED, DIMENSIONAL TOLERANCES ARE: IN [mm] .X ± .03 [.8] .XXX ± .XX ± .03 [.8] ANGLES ±		
DRAWN BY: REWE DATE: 04-28-00 CHK: HIW SCALE: NONE		DRAWING NUMBER: 37185-60
THIRD ANGLE PROJECTION		SIZE: A
SHT 1 OF 1		

D10100DA/15