

# SIEMENS

Data Sheet

## VBI Heavy Duty Safety Switch

30A, 600V, Type 1

[siemens.ca/powerdistribution](https://www.siemens.ca/powerdistribution)



### Standards and Ratings

- CSA certified under file #1079316
- Meets UL98 for switches and UL 50 for enclosures
- Meets NEMA Standard KS-1 for enclosed switches
- Meets CEC wire bending space requirements
- Rated 10,000 AIC as standard or 200,000 when protected by Class R, T or J fuses rated 30 amp maximum
- I<sup>2</sup>t rated (Amps<sup>2</sup> x Seconds = 50,000)
- 12X overload current rating exceeds 10X industry standard
- Suitable for use as service entrance equipment
- Includes internal shields which meet NEC 2020 230.62 line side barrier requirements

### Features

- Quick-make and break switching action
- Double break visible blade design
- Highly visible ON/OFF indication
- Rugged installer friendly enclosure design
- Modular design allows quick and easy replacement of parts
- Front removable lugs which can easily be converted to copper body or compression type lugs
- Defeatable dual cover interlock
- Visible blade design

# Product Specifications

## Heavy Duty 30A, 600V Type 1

### General Information

Catalog Number	Volts	Description	Shipping Weight (lbs.)
HNFC261	600	2 Pole, 2 Wire, Non-Fusible	11
HNFC361	600	3 Pole, 3 Wire, Non-Fusible	11

### Horsepower Ratings<sup>1 2 3</sup> – 600 Volts

Catalog Number	3 Phase, 480V AC		3 Phase, 600V AC		600V DC
	Std	Max	Std	Max	
HNFC261	—	— <sup>4</sup>	—	— <sup>4</sup>	15
HNFC361	—	20 <sup>5</sup>	—	30	—

### Mechanical Lug Wire Range (75°C, Cu/Al)

Description	Wire Range
Line, Load	#12-6 AWG (Al) or
Neutral	#14-6 AWG (Cu)
Ground	#14-4 AWG

### Compression Lugs<sup>7</sup>

Wire Size	Burdyn		Thomas-Betts		IlSCO	
	CU Only	CU/AL	CU Only	CU/AL	CU Only	CU/AL
#14-10	—	—	—	60096 60097	—	—
#8	YA8C-L BOX YA8C-L1 BOX	—	54104 54130 61102	60101 60102	CRA-A	ACL-8 ACN-8
#6	—	—	61107	—	—	—

1 Dual horsepower ratings: Std - applies when non-time delay fuses are installed.

Max - applies when time-delay fuses are installed.

2 Horsepower ratings listed also apply to Design E motors through 15HP at 480V and 20HP at 600V with no derating.

3 Also rated 5HP at 250V DC.

4 Also rated 7½ HP at 480V, 1 phase and 10HP at 600V, 1 phase.

5 Also rated 10HP on 3 Phase, 240V AC systems.

6 Place "DOOR" at the end of the switch catalog number.

7 If compression lugs are used for the neutral, order compression lug neutral barrier kit HCL612.

8 Legacy style handle phased out in 2021.

FAQ:"How can I tell?" Inspect the red handle grip. If the red handle grip is attached with screw, order the legacy kit.

The new style grip is pressed onto the metal handle and does not require a screw.

### Accessories

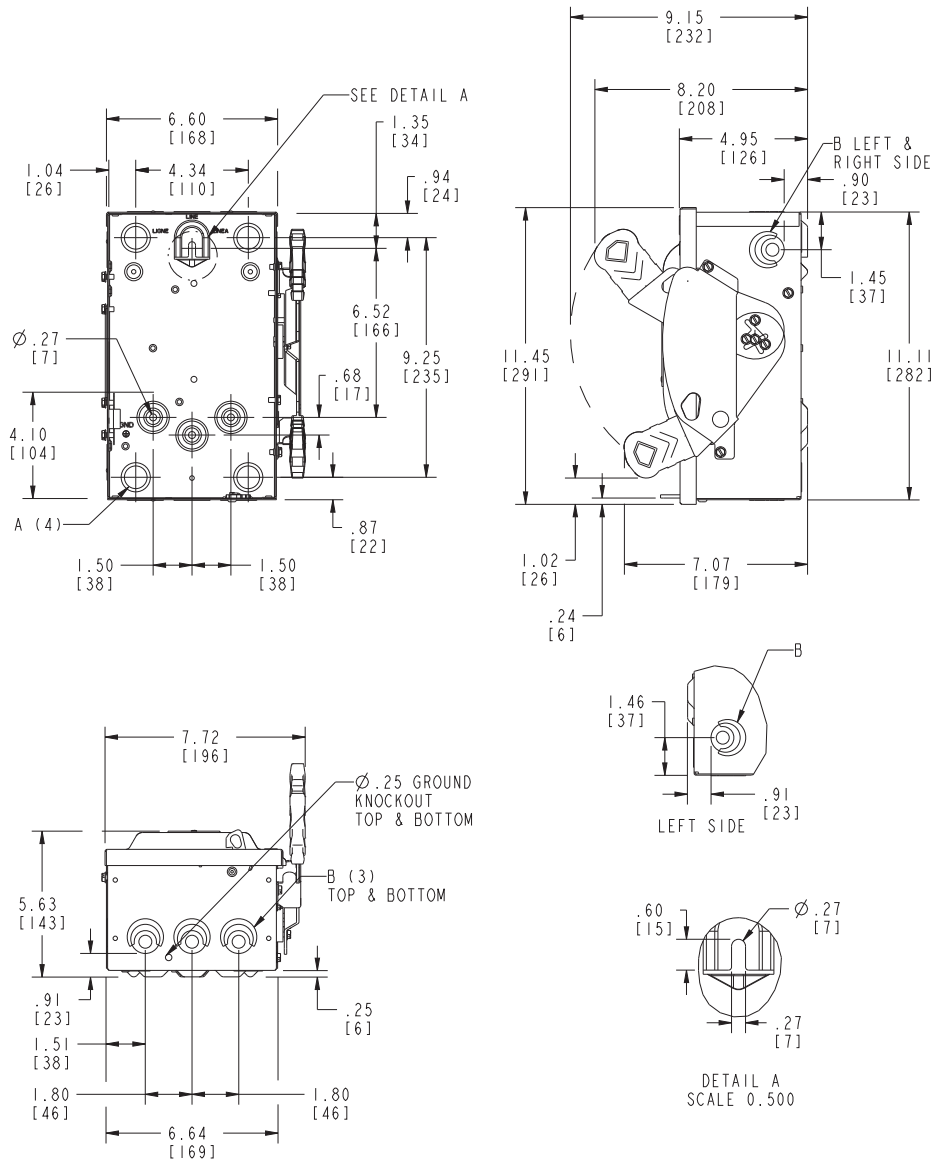
Catalog Number	Description
HA161234	One Normally Open and Closed Auxiliary Switches
HA261234	Two Normally Open and Closed Auxiliary Switches
HA361234	Low Voltage Auxiliary Switch
HG61234	Equipment Ground Lug Kit
HG261234	Isolated Equipment Ground Kit
HNC612	Neutral Kit
HLC612	Copper Lug Kit (9 lugs per kit)
HCL612	Compression Lug Neutral Barrier Kit

### Replacement Parts

Catalog Number	Description
HNB612	Non-Fusible Replacement Base
HH6123 <sup>8</sup>	Legacy (larger sized) Handle/Handle Guard
HH6123A	Replacement Handle/Handle Guard
HL612	Replacement Lugs (3 lugs per kit)
HM6123	Replacement Mechanism
6	Replacement Door

# Dimension Drawings

## Heavy Duty 30A, 600V Type 1



No knockouts in enclosures.  
Dimensions shown in inches and millimeters ( ).  
Dimension shown accurate to ± 1/16 inch.

KNOCKOUT CODE	CONDUIT SIZE
A (Concentric)	.75 1.00
B (Tangential)	.50 .75 1.00

	LINE SIDE WIRE BEND	LOAD SIDE WIRE BEND
Non-Fused	3.02 (77)	4.11 (104)

Enclosure: Cold Rolled Steel  
0.54 Thick (17 Gauge)  
Finish: ANSI #61 Grey Paint

Published by  
**Siemens Canada Limited ©2021.**

Siemens Canada Limited  
1577 North Service Road East  
Oakville, ON L6H 0H6

siemens.ca/powerdistribution

Customer Interaction Centre  
Tel: 1 (888) 303-3353  
cic.ca@siemens.com

Order No. SI-EP-1768  
Printed in Canada | All Rights Reserved  
© 2021, Siemens Canada Limited

Specifications are subject to change  
without notice.

The technical data presented in this document is based on an actual case or on as-designed parameters, and therefore should not be relied upon for any specific application and does not constitute a performance guarantee for any projects. Actual results are dependent on variable conditions. Accordingly, Siemens does not make representations, warranties, or assurances as to the accuracy, currency or completeness of the content contained herein. If requested, we will provide specific technical data or specifications with respect to any customer's particular applications. Our company is constantly involved in engineering and development. For that reason, we reserve the right to modify, at any time, the technology and product specifications contained herein.