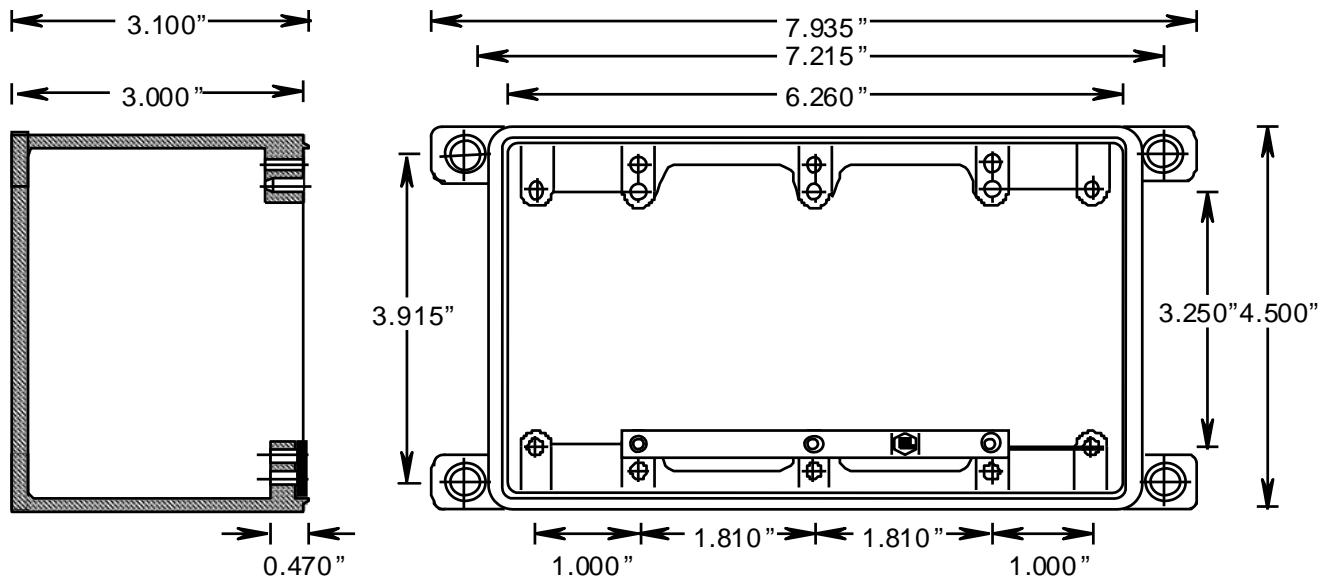


RIGID PVC CONDUIT FITTINGS

ISSUE DATE:
DATE D'EMISSION: 2012 07 11

FD3 TRIPLE GANG DEEP BOXES

SUPERCEDES:
REPLACE: 2011 10 21



Wall thickness for all boxes=0.188 in. (or 4.8mm)

PRODUCT CODE	PART NUMBER	VOLUME	
		(cubic in)	(cubic mm)
077737	FD3	72.0	1178.0

INSERTS AND GROUND CLIP

DESCRIPTION	PART NUMBER	SIZE	QUANTITY
REGULAR INSERT	072537	6-32	7
COLLAR INSERT	072536	6-32	3
TRIPLE GANG CLIP (LONG) W/ HEX HEAD GREEN SCREW	172258	3	1