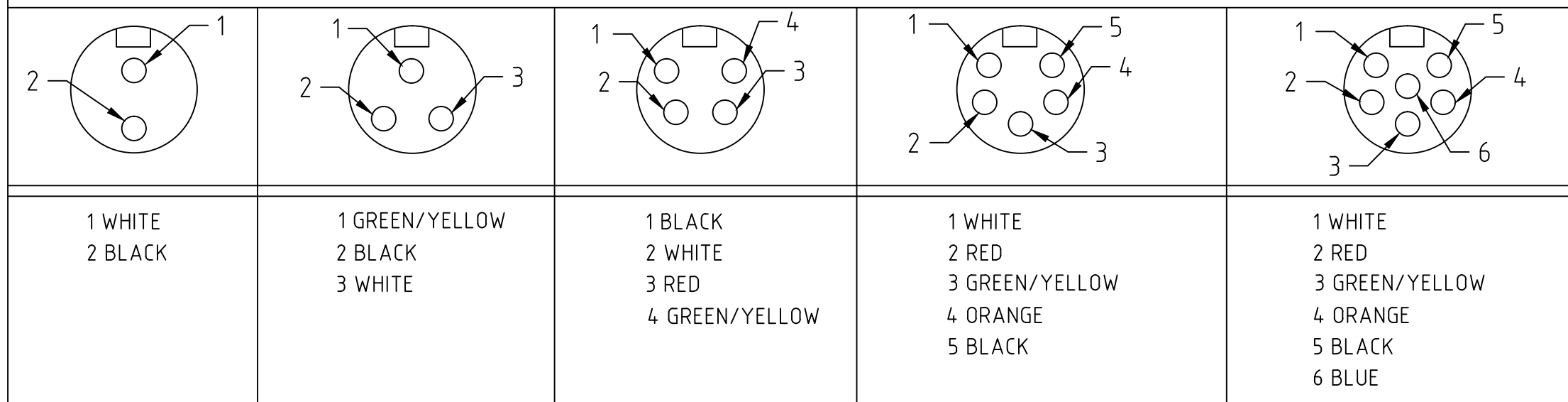


FACE VIEW-MALE INSERT

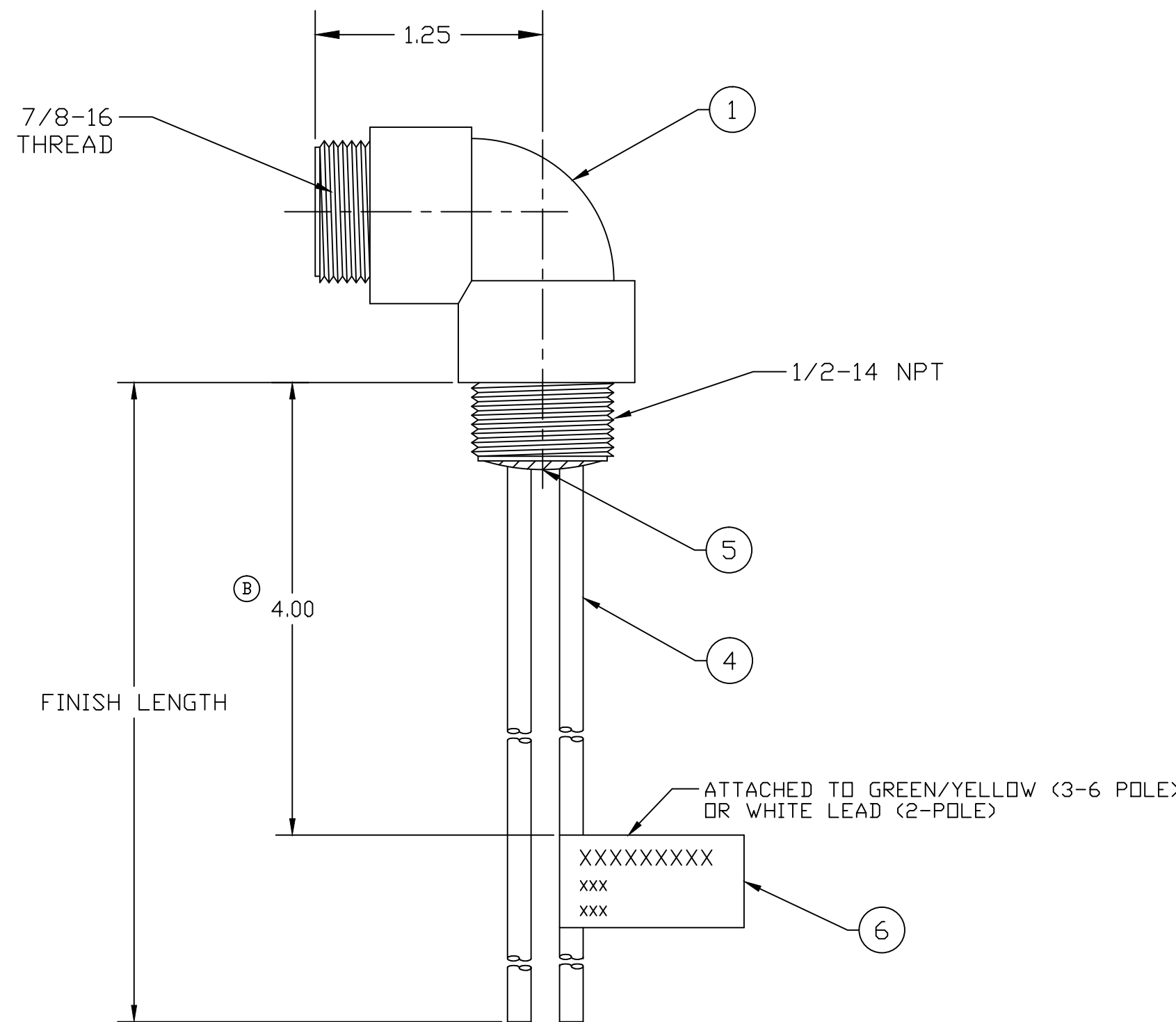
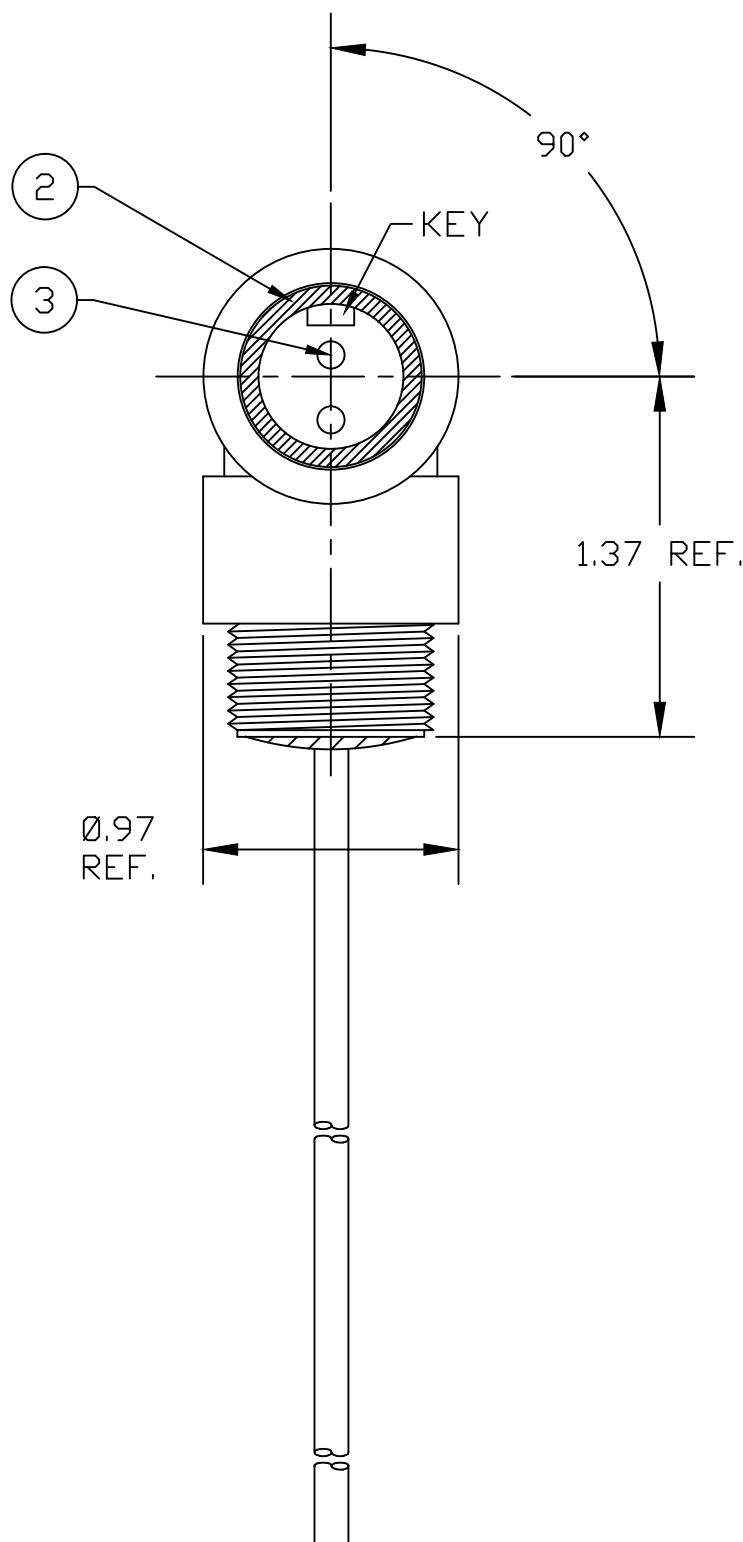


WIRE LENGTH TOLERANCES

>.3M [1FT]:	+19mm-0 [+ .75in-0]
.3 - .9M [1 - 3FT]:	+44.5mm-0 [+1.75in-0]
.9 - 1.8M [3 - 6FT]:	+55.6mm-0 [+2.19in-0]
1.8 - 3.7M [6 - 12FT]:	+88.9mm-0 [+3.50in-0]
3.7 - 7.3M [12 - 24FT]:	+165.1mm-0 [+6.50in-0]
7.3-14.6M [24 - 48FT]:	+317.5mm-0 [+12.50in-0]
14.6 - 30.5M [48-100FT]:	+622.3mm-0 [+24.50in-0]
OVER 30M [100FT]:	+2% OF FINISHED LENGTH

②

PART NO.	ENGINEERING NO.	FINISHED LENGTH
1300130090	1R2007A20A120	12 INCHES
1300131000	1R5007A20F015	1 FT 6 IN
1300130387	1R4007A20F060	6 FEET



② PART NUMBER LEGEND

1R2007A20A120

POLES 2-6

FINISHED LENGTH:
 A120 = 12 INCHES
 F015 = 1.5 FEET
 F020 = 2 FEET
 F100 = 10 FEET

- ② NOTES:**
- MATERIAL: AS NOTED
 - FINISH: AS NOTED
 - ELECTRICAL:
 VOLTAGE: 2P: 600V PER UL 2238
 3P: 500V PER IEC60664
 4P: 483V PER IEC60664
 5 & 6P: 400V PER IEC60664
 600V PER UL2238
 CURRENT: 2 & 3P: 13A
 4P: 10A
 5 & 6P: 8A
 - TEMP RATING: -20°TO +90°C
 - PROTECTION: IP67 (WHEN MATED)
 - COUPLING THREAD: 7/8-16UN
 - UL LISTED FILE: E152210
 CSA CERTIFIED: LR6837
 - ALL DIMS ARE FOR REFERENCE UNLESS TOLERANCED OR NOTED OTHERWISE

② REF. THIS DDC SUPERSEDES CO-CREATE DDC REV-A

ITEM	DESCRIPTION	MATERIAL	FINISH
6	FLAG LABEL	VINYL	BLACK/YELLOW
5	POTTING MATERIAL	EPOXY	
4	WIRE, 16 AWG UL (1015)	PVC INSULATION	SEE CHART
3	CONTACT PIN	COPPER ALLOY	GOLD PLATED
2	MALE INSERT (A-SIZE)	TPE	YELLOW
1	RECEPTACLE SHELL	ZINC DIE-CAST	BLACK

REDRAWN PER LATEST STD	QUALITY SYMBOL
EC NO.: IPG2019-0457	▽=0
DRWN: RSTONE 2019/03/27	▽C=0
CHKD: J CAPPOZ 2019/03/29	
APPR: BWOODMAN2019/03/30	
REV	DESCRIPTION
B	

GENERAL TOLERANCES (UNLESS SPECIFIED)	
4 PLACES	±---
3 PLACES	±---
2 PLACES	±---
1 PLACE	±---
ANGULAR ±---°	
DRAFT WHERE APPLICABLE MUST REMAIN WITHIN DIMENSIONS	

DIMENSION STYLE	
INCH	
DRAWN BY	DATE
RSTONE	2019/03/27
CHECKED BY	DATE
J CAPPOZ	2019/03/29
APPROVED BY	DATE
BWOODMAN	2019/03/30
MATERIAL NO.	---
SIZE	C

SCALE	DESIGN UNITS	THIRD ANGLE PROJECTION
---	INCH	
TITLE		
MC 90 DEG RECEPTACLE 2-6 POLE, MALE 16 AWG		
Molex MOLEX INCORPORATED		
DOCUMENT NO.	SHEET NO.	
SD-130013-090	1 OF 1	
THIS DRAWING CONTAINS INFORMATION THAT IS PROPRIETARY TO MOLEX INCORPORATED AND SHOULD NOT BE USED WITHOUT WRITTEN PERMISSION		