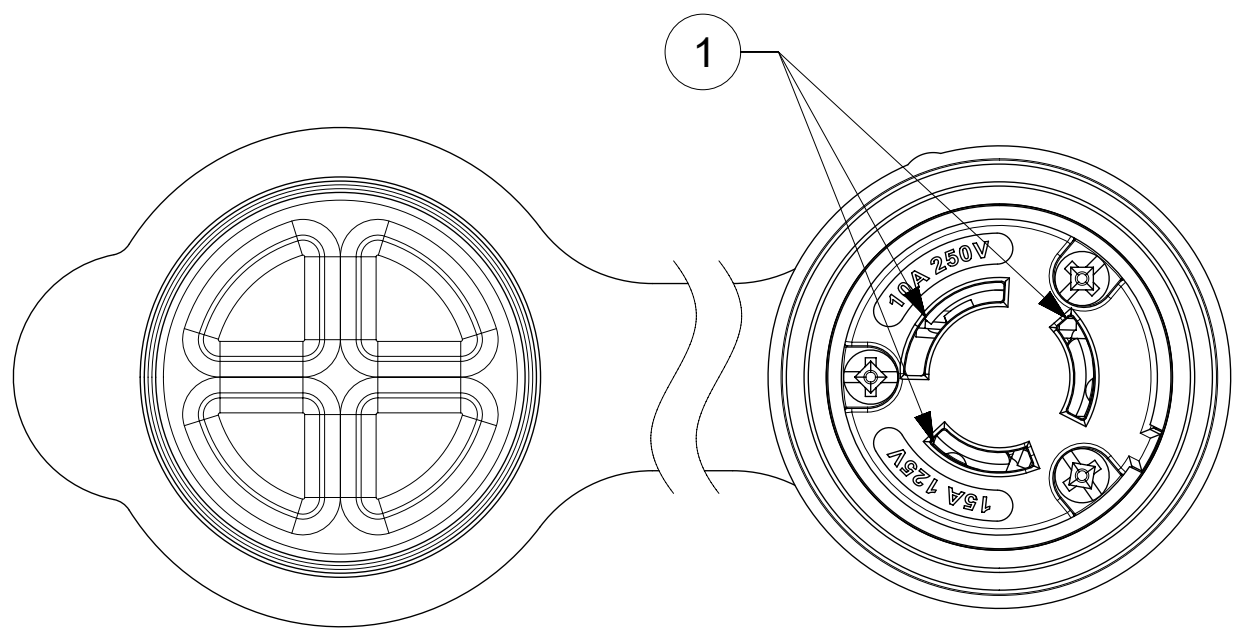
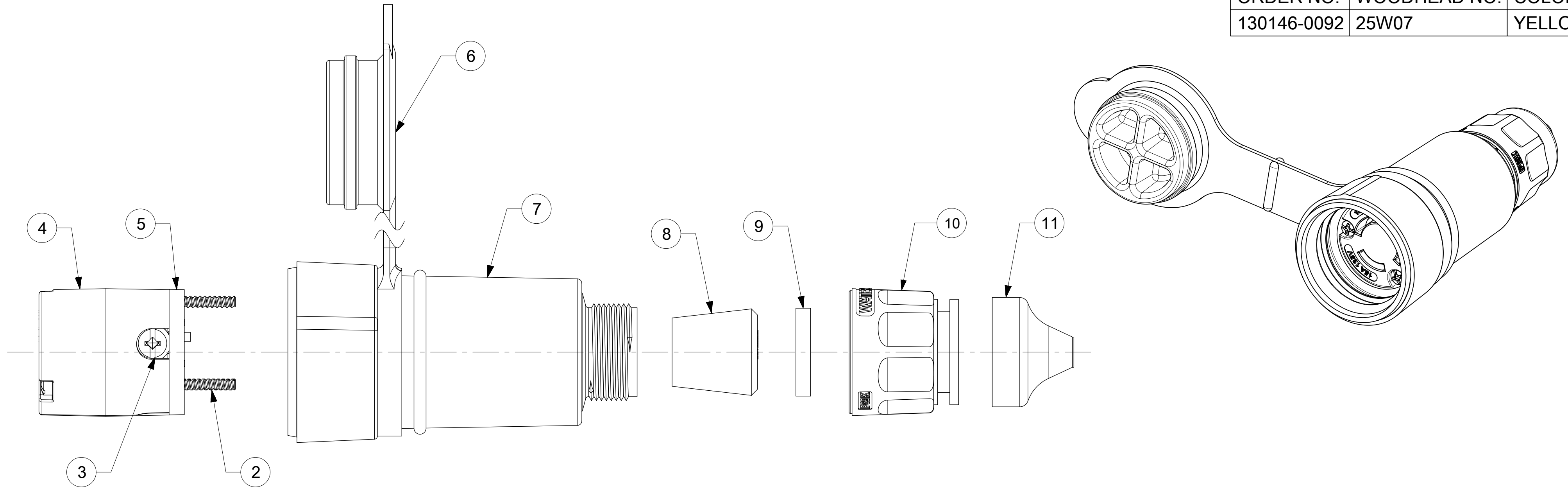
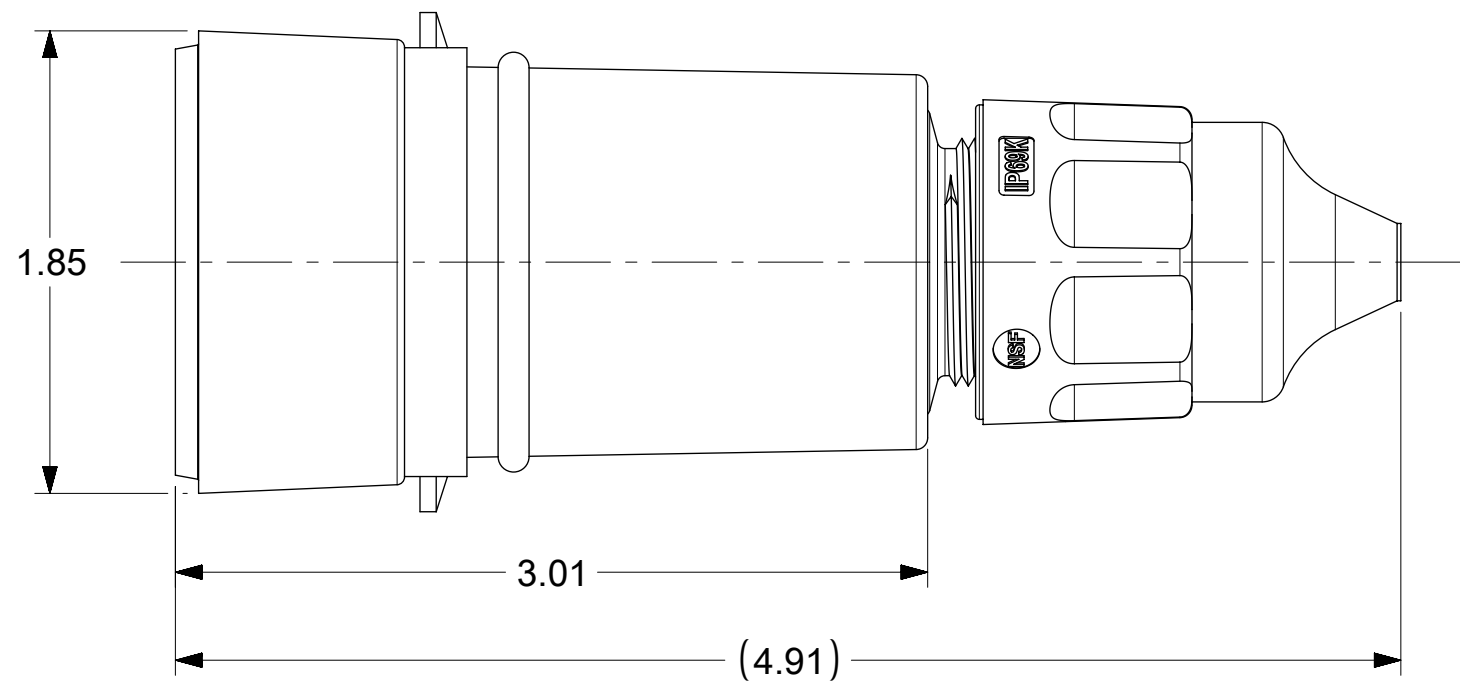


ORDER NO.	WOODHEAD NO.	COLOR
130146-0092	25W07	YELLOW



FACE VIEW



ITEM NO.	DESCRIPTIONS	MATERIAL	QTY.
1	BLADES	BRASS	3
2	RETAINING SCREWS	STAINLESS STEEL	3
3	TERMINAL SCREWS	BRASS, ZINC PLATED	3
4	INSERT	NYLON	1
5	TERMINAL COVER	POLYCARBONATE	1
6	FLIP COVER	SILICONE	1
7	HOUSING	SILICONE WITH NYLON THREAD	1
8	GROMMETS	RUBBER	5
9	FRICTION RING	NYLON	1
10	COMPRESSION NUT	NYLON	1
11	CABLE GLOVE	SILICONE	1

NOTES:
 1. SEE INSTRUCTION SHEET NUMBER 1301414770 FOR PRODUCT SPECIFICATION.
 2. CABLE RANGE FROM 0.375" TO 0.625"

SYMBOLS		THIS DRAWING CONTAINS INFORMATION THAT IS PROPRIETARY TO MOLEX ELECTRONIC TECHNOLOGIES, LLC AND SHOULD NOT BE USED WITHOUT WRITTEN PERMISSION		CURRENT REV DESC: RELEASED			
▽ = 0	DIMENSION UNITS	SCALE					
▽ = 0	INCH	NTS	GENERAL TOLERANCES (UNLESS SPECIFIED)		EC NO: 613699		WATERTITE CONNECTOR
▽ = 0			ANGULAR TOL ± 0.5°		DRWN: VHANDI 2019/03/13		
▽ = 0			4 PLACES ±		CHK'D: DNGUYEN62 2019/03/18		PRODUCT CUSTOMER DRAWING
▽ = 0			3 PLACES ± 0.005		APPR: HKNEELAND 2019/03/21		
▽ = 0			2 PLACES ± 0.01		INITIAL REVISION:		DOCUMENT NUMBER: 1301460092 DOC TYPE: PSD DOC PART: 000 REVISION: A1
▽ = 0			1 PLACE ± 0.02		DRWN: ABABU01 2018/11/26		
▽ = 0			0 PLACES ±		APPR: HKNEELAND 2019/02/26		MATERIAL NUMBER: SEE TABLE CUSTOMER: GENERAL MARKET SHEET NUMBER: 1 OF 1
▽ = 0	DRAFT WHERE APPLICABLE MUST REMAIN WITHIN DIMENSIONS		THIRD ANGLE PROJECTION		DRAWING SERIES: C-SIZE 130146		

DOCUMENT STATUS	P1	RELEASE DATE	2019/03/21 15:01:04
-----------------	----	--------------	---------------------