

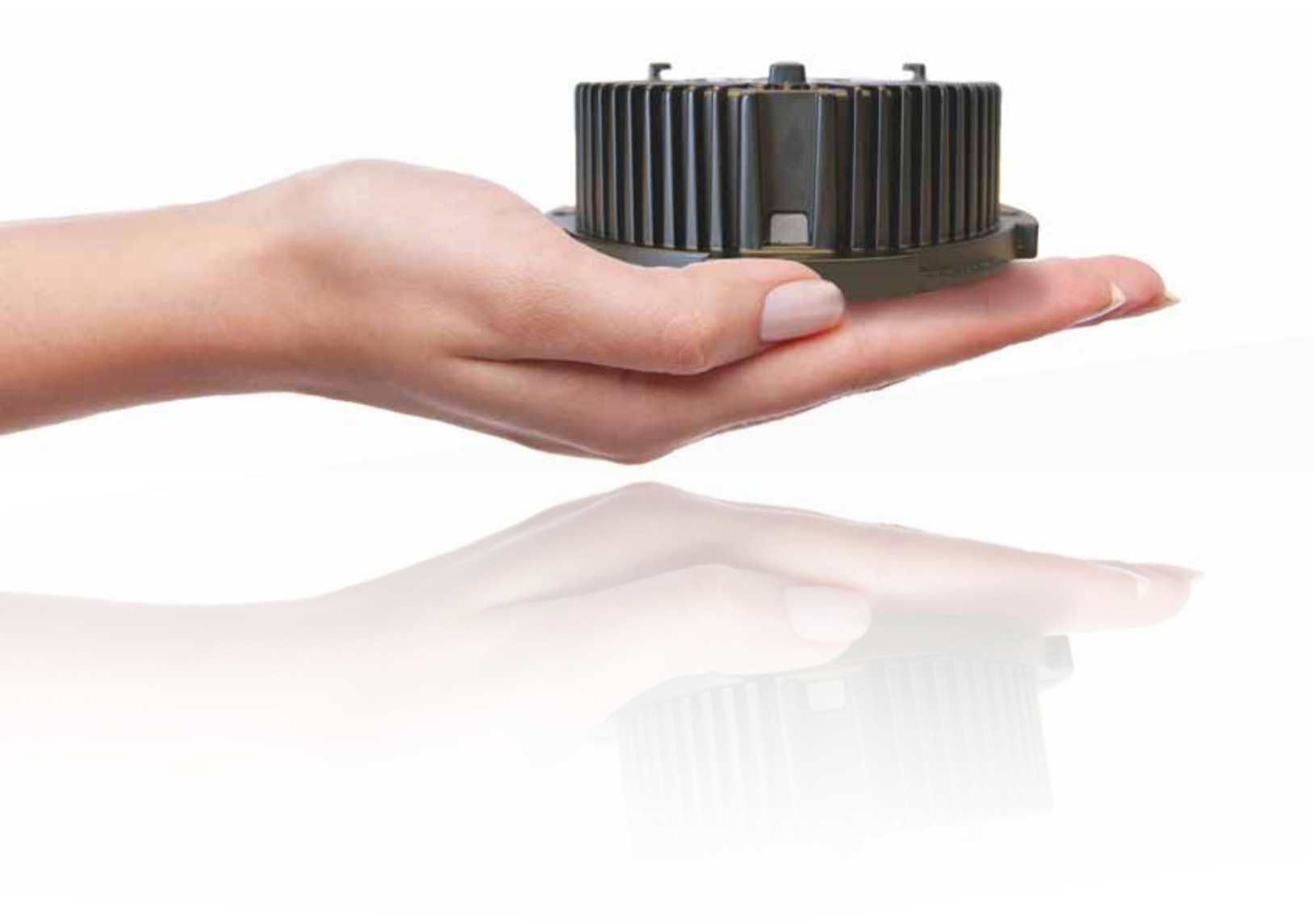


# Integrated LED Recessed Solutions

FleXLED by STANPRO

# One source, many applications

For over two decades, STANDARD has been committed to offering sustainable, high performing lighting solutions for all applications. Sustainability no longer needs to suffer to obtain exceptional luminosity, consistent colour and significant savings.



## Versatility

STANDARD's line of LED recessed solutions offers versatility in applications and flexibility in many installations, whether new construction or retrofit. The possibilities are endless with a number of modules, housings and trims in a variety of different colours, sizes, shapes and style options.

## Ease of Installation

Convenient and tool-less twist and lock design makes installation a breeze, saving you time and money.

## Superior Performance

FlexLED LED modules abide by tight chromaticity specifications and LED colour binning process to ensure CRI and colour temperature consistency from luminaire to luminaire. Every LED module is tested to verify lumen output, CRI and colour temperature values.

## Product Standards

Working only with select component suppliers, STANDARD is committed to developing premium lighting products comprised of quality components.

## One-System Warranty

STANDARD stands behind its products 100 % and offers 5 year limited warranty on the entire LED FlexLED recessed luminaire combination.



### Driver

A constant current power supply is compatible with TRIAC and ELV dimming (see compatible dimmer list for more details)

### Electrical Isolator

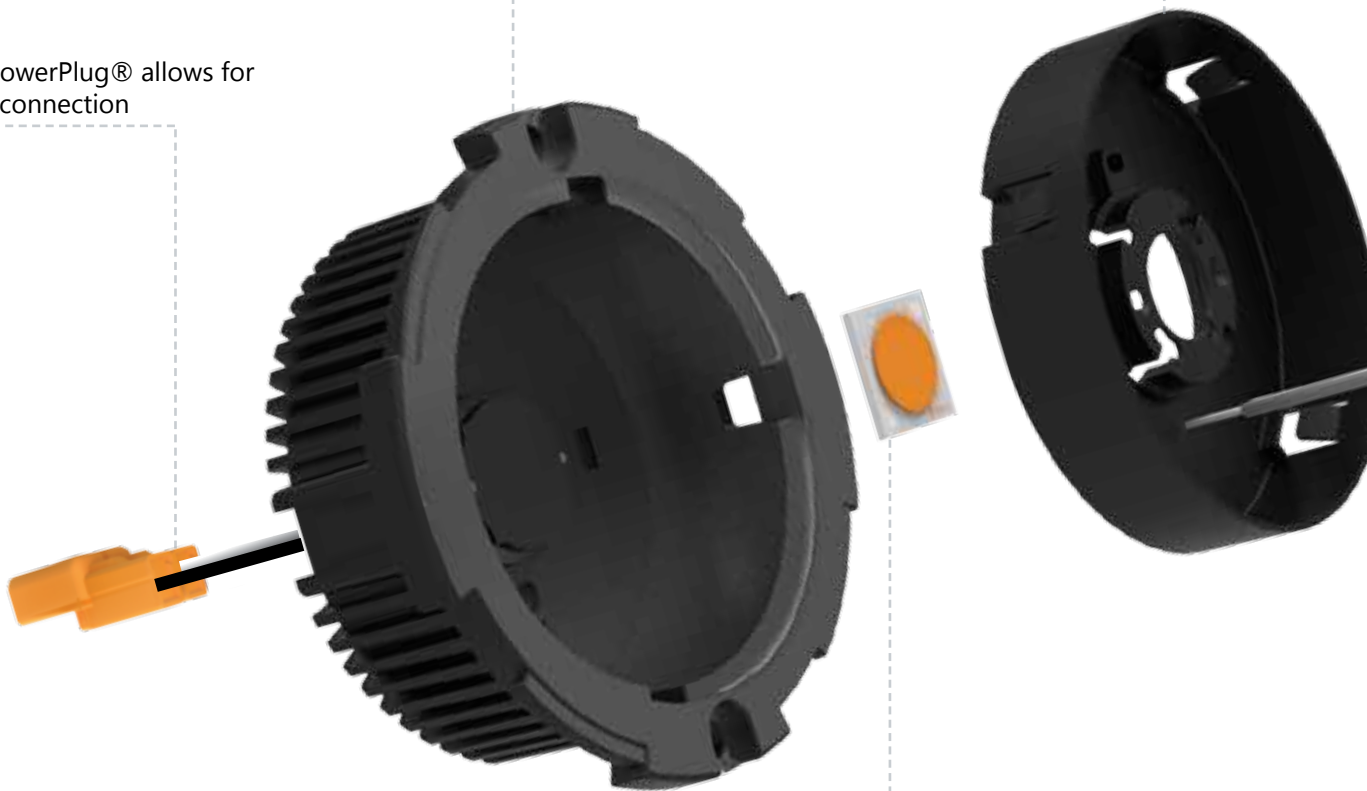
Provides electrical isolation for the power supply and holds the LED in place

### Housing

Black painted die-cast aluminum housing and proprietary thermal management system provides efficient heat transfer to maximize the lifetime of the luminaire

### Connector

Female IDEAL PowerPlug® allows for quick and easy connection



### LED Chip

Powered with Cree® LEDs with 90+ CRI and using 2-step MacAdam ellipse binning for maximum luminaire to luminaire colour consistency

# Product Features

**Lens**

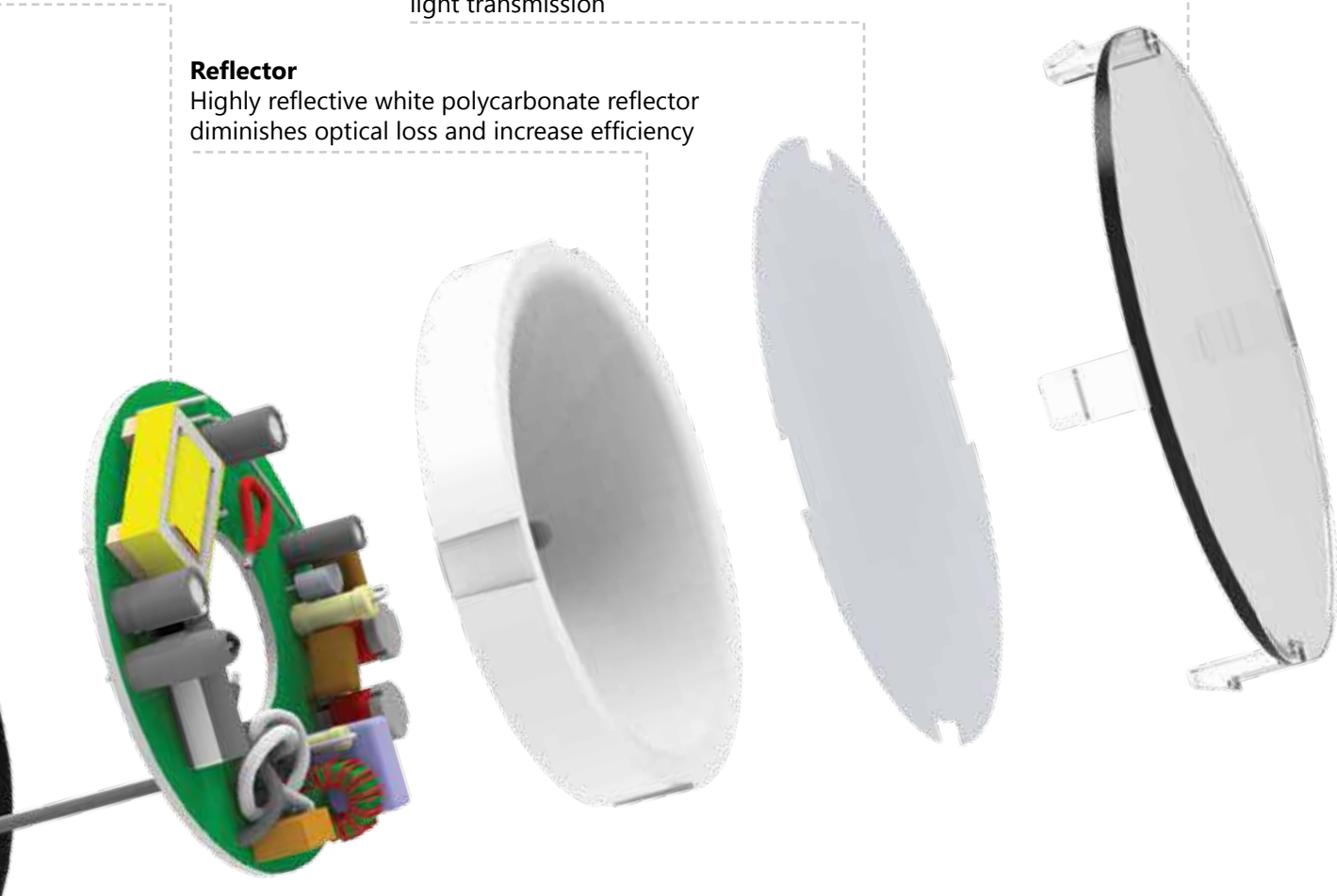
Precision injected polycarbonate lens secures critical components

**Diffuser**

Precise optical control with maximum light transmission

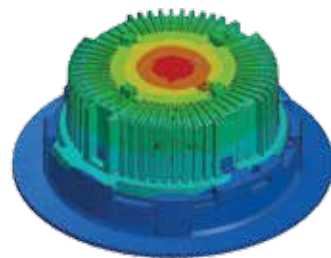
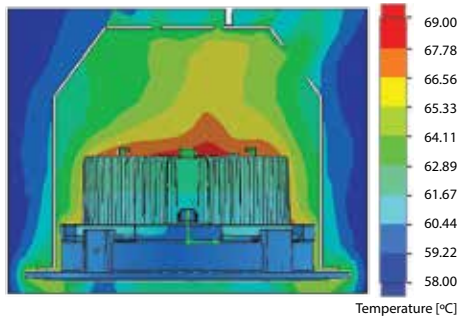
**Reflector**

Highly reflective white polycarbonate reflector diminishes optical loss and increase efficiency



## Heat Sink Performance

Eliminating the need for a traditional heat sink, the LED module utilizes its die-cast housing for optimal thermal management. Acting as both a housing and heat sink, the thermal management design features cooling ridges to dissipate heat and provide consistent unrestricted heat flow for safe operation and extended product life. At the end of its rated life, the LED module is estimated to produce 70 % of initial light output with no perceived change in colour temperature.

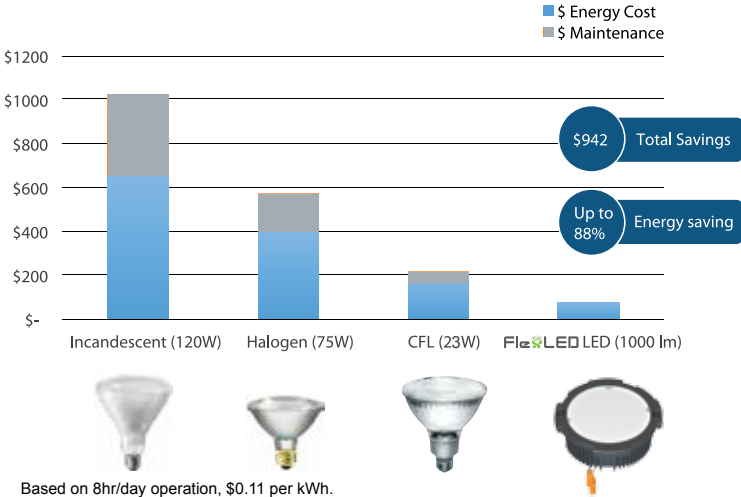




There is no comparison when it comes to efficiently producing quality illumination. When tested against incandescent, metal halide and compact fluorescent lamps, LEDs produce more lumens, use less power and have longer life cycles, resulting in tremendous savings over the life of the product.

# See the benefits: LED vs. Traditional Light Sources

**Professional grade products for the professional market.**



# Benefits

Perfectly suited for high-end retail, hospitality and commercial applications. The FlexLED LED modules offer versatility and choice with the most consistent dimming possible for both general as well as accent lighting.

**More light, less fixtures.**

In addition to operating more efficiently than other sources, this LED module also provides superior light quality. It was engineered to deliver consistent, even illumination minimizing the overall fixture count.

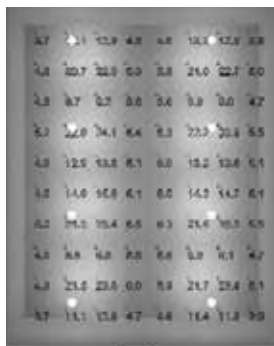
Uniform distributions + Intense light output =  
**The need for less fixtures!**

**Imagine...**

- ▶ Less wiring needed
- ▶ Less holes in the ceiling
- ▶ Less energy consumed
- ▶ Less load on circuit breakers
- ▶ Less installation time
- ▶ Less overall maintenance costs



**LED PAR20 FL**



**LED PAR20 NFL**



**LED Module**

<b>CRI</b>	80	80	90+
<b>Lumen (lm)</b>	498	512	800
<b>Footcandle (fc)</b>	10.91	10.60	11.98
<b>Fixture Spacing (ft)</b>	5	5	6.7
<b># of Fixtures</b>	8	8	6

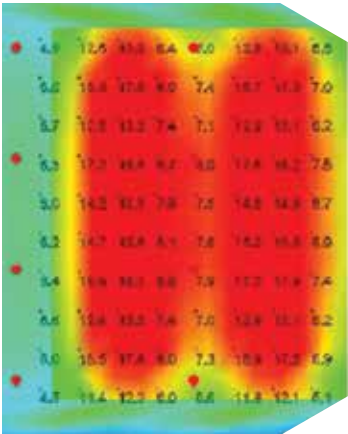
**Less Fixtures Needed**

# See the benefits: LED vs. Traditional Light Sources

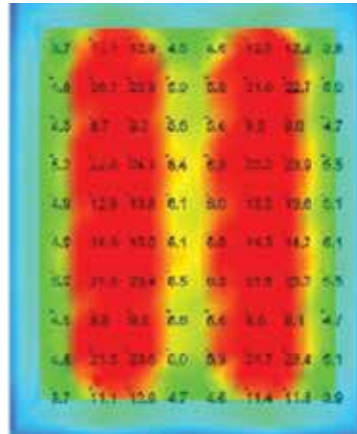
Uniformity at its **STANPRO** finest.

FlexLED modules produce ambient lighting that is sure to enhance living spaces in high-end residential properties, common areas and applications looking for sleek, high quality design and lighting.

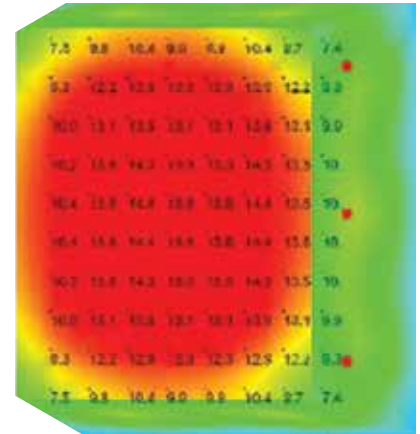
With the use of its optical system, the LED module is optimized to eliminate hot spots and distribute light uniformly. The result is a more even foot candle distribution, as shown below.



LED PAR20 8 W - FL



LED PAR20 8 W - NFL



FlexLED LED MODULE 11.5 W



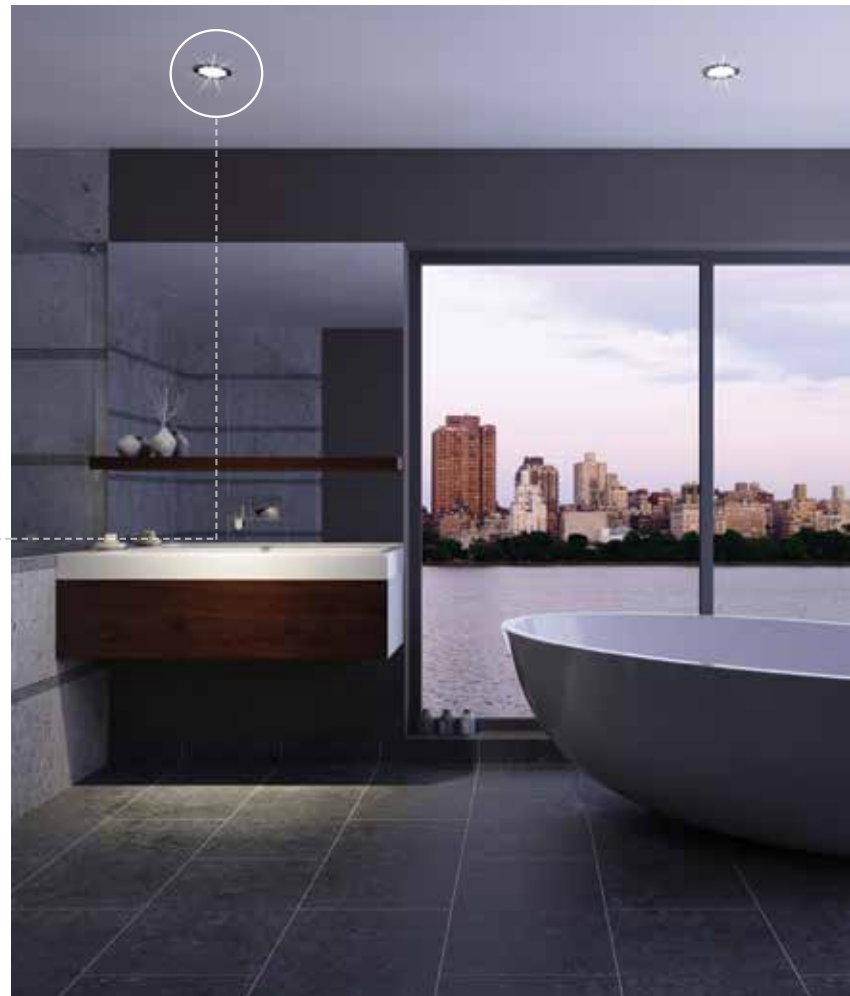
Eliminate Hotspots





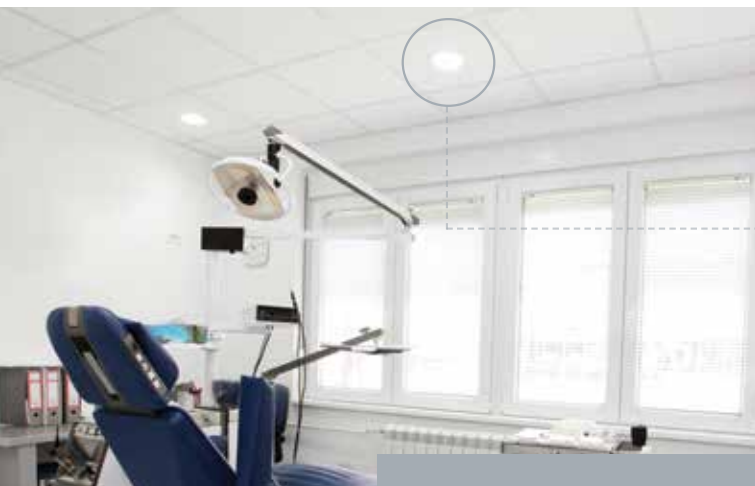
## Commercial

FlexLED modules' lumen output and various colour temperatures make it suitable for commercial applications. Offering incredible energy and maintenance savings, lasting considerably longer than fluorescents and traditional incandescent lighting, FlexLED modules represent a long-term investment that will last and create an added value to the business, saving time and energy. Suitable for commercial applications such as airports, restaurants, retail stores, hospitality and more !



## Residential

Available in different colour temperatures, FlexLED modules make a house feel like a home with soft, general purpose lighting that can be used in any room in the house including bedrooms, kitchens, living rooms and even closets. For bathrooms and other damp areas, trim feature a wet location option.



## Healthcare

FlexLED Modules produce ambient lighting that can enhance a patient's experience while giving medical professionals sufficient illumination to perform.

# Applications



FlexLED LED modules produce an exceptional combination of performance and light quality from its compact design, producing up to 1 000 lumens of brilliant white light while consuming a maximum of 14.7 watts.

The light engine exceeds ENERGY STAR® requirements and is certified to the high efficacy standards of California Title 24, including CRIs above 94.

- ▶ High quality die cast aluminum housing
- ▶ Variety of colour temperatures
- ▶ Quick and tool-less twist and lock installation
- ▶ Flexible design that mounts into a variety of trims and housings



Order code	Description	Watts (W)	Volts (VAC)	Colour Temp. (K)	CRI	Average Life (L70)	Lumens (lm)	Beam Angle <sup>1</sup> (°)	Dimmable (Y/N)	Case qty
63221	LED/MOD/11.8W/27K/STD	11.8	120	2 700	96	50 000	750	88	Y	48
63222	LED/MOD/11.8W/30K/STD	11.8	120	3 000	95	50 000	750	88	Y	48
63223	LED/MOD/11.8W/40K/STD	11.8	120	4 000	95	50 000	750	88	Y	48
63224	LED/MOD/14.7W/27K/STD	14.7	120	2 700	95	50 000	1 000	88	Y	48
63225	LED/MOD/14.7W/30K/STD	14.7	120	3 000	96	50 000	1 000	88	Y	48
63226	LED/MOD/14.7W/40K/STD	14.7	120	4 000	94	50 000	1 000	88	Y	48



<sup>1</sup> Depending on trim. See IES for exact value.

# Modules



Modern and bold, the FlexLED Surface Mount Housing offers a different aesthetic. It features a smooth finish with sleek trim finish for a clean and contemporary design. Perfect for cement ceilings or in applications with ceiling space constraints.

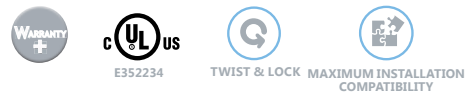
## 6" Surface Mount Housing

### Surface Mount Housings

Order code	Description	Colour	Case qty
63308	SURFMOUNT/6IN/BLK/STD	Black	6
63309	SURFMOUNT/6IN/WH/STD	White	6

### Compatible Trims

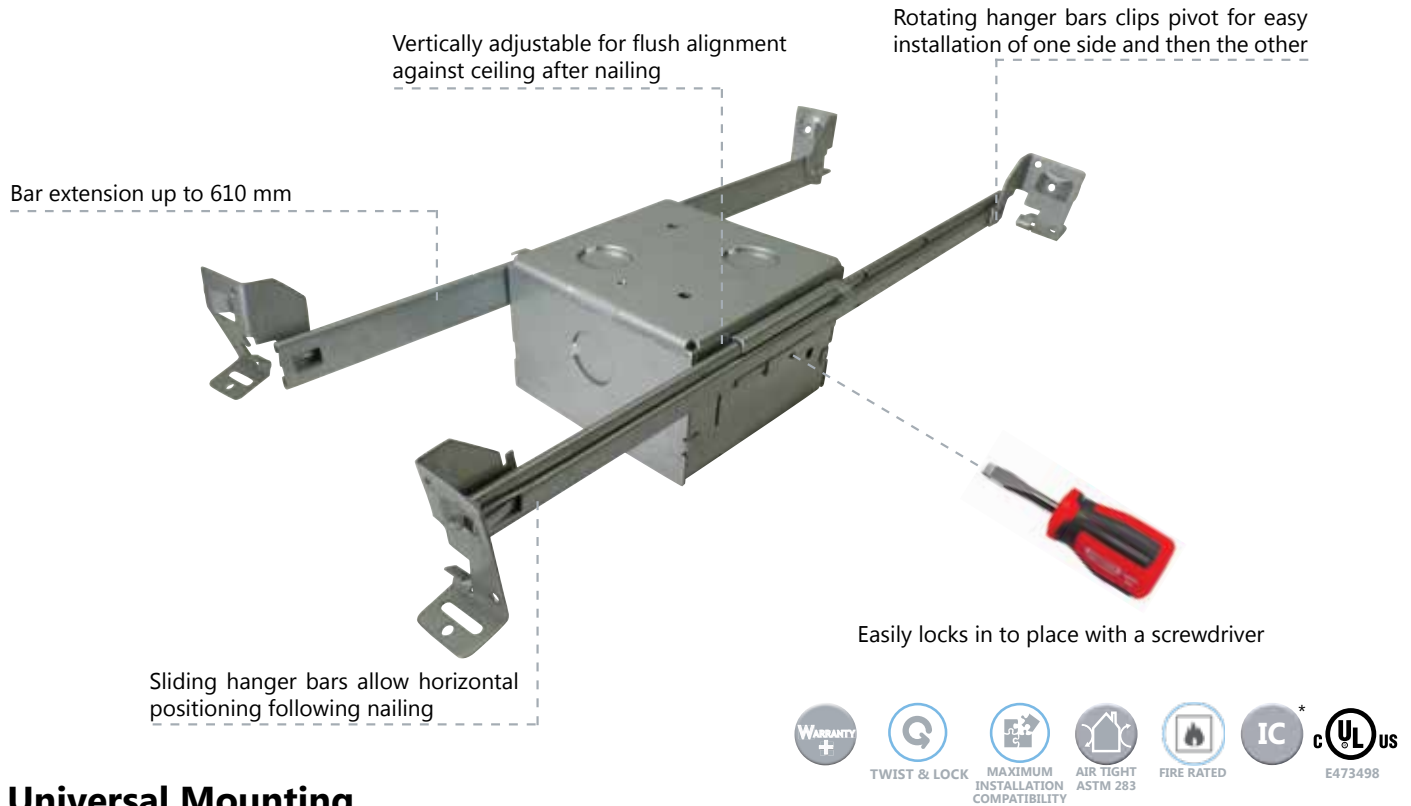
Order code	Description	Colour	Size (in.)
63292	RFL6/TR/SLML/WH/STD	White	6
63293	RFL6/TR/SLML/BLK/STD	Black	6
63294	RFL6/TR/SLML/GRY/STD	Grey	6



# Housings

# Junction Box Frame-in Housing

The Fire-Rated, air-tight and IC rated Junction Box Frame-in Kit simplifies housing installation into ceilings. Equipped with proprietary hanger bars, the unit can mount into a T-bar, metal stud or wood constructed structures. Rotating bar hanger clips further simplify installation by allowing the installer to nail one side of the bar hanger and then pivot the reciprocal side in place. The mounting system also allows for both vertical and horizontal adjustments.



## Universal Mounting

Junction Box Frame-in Kit			
Order code	Description	Colour	Case qty
63310	RF4IN/JUNCBOX/STD	Steel	6

Compatible Trims			
Order code	Description	Colour	Size (in.)
63292	RFL6/TR/SLML/WH/STD	White	6
63293	RFL6/TR/SLML/BLK/STD	Black	6
63294	RFL6/TR/SLML/GRY/STD	Grey	6

\*IC rated when used with 11.8 W modules



**Step 1:**  
Use the provided nails or wood screws to install to a wood joist



**Step 2:**  
Use the rotating hanger bar clip to pivot the unit into position



**Step 3:**  
Nail or screw to wood joist and adjust unit vertically or horizontally to ensure flush alignment

# Housings



Designed for retrofit applications, this 4" remodeler housing is dedicated to LED modules and comes equipped with female connector for easy installation. Made from industrial strength galvanized steel, this housing is both air-tight and IC rated.

- ▶ Self-adjustable mounting clip system for simple and steady installation.
- ▶ Wire to wire connectors for rapid connection to main power supply.
- ▶ Self-positioning screw in mounting systems allow for secure and easy installation. The screws are positioned in an angle to ensure ease of service.

## 4" Remodeler Housing

### 4" Remodeler Housing

Order code	Description	Colour	Case qty
63311	RF4IN/REMOD/IC/QC/STD	Black	6

### Compatible Trims

Order code	Description	Colour	Size (in.)
63275	RFL4/TR/REC/WH/STD	White	4
63276	RFL4/TR/REC/BLK/STD	Black	4
63779	RFL4/TR/REC/BA/STD	Brushed Aluminum	4
63277	RFL4/TR/REC/BAF/WH/STD	White	4
63278	RFL4/TR/REC/BAF/BLK/STD	Black	4
63780	RFL4/TR/REC/BAF/BA/STD	Brushed Aluminum	4
63279	RFL4/TR/REC/WALL/WH/STD	White	4
63295	RFL4/TR/REC/WH/WET/STD	White	4



\*IC rated when used with 11.8 W modules

# Housings

STANDARD offers a wide variety of trims to suit all applications and complement every décor. Constructed from high quality die-cast aluminum, these trims are the finishing touch for the complete fixtures to boast style, design and elegance.

#### 4" Smooth

Fits tight around the module which sits flush with the ceiling. Ideal when more emphasis is needed for decorative finish.



Order code	Description	Colour	Compatible Housing	Case qty
63275	RFL4/TR/REC/WH/STD	White	Remodeler & New Construction IC	30
63276	RFL4/TR/REC/BLK/STD	Black	Remodeler & New Construction IC	30
63779	RFL4/TR/REC/BA/STD	Brushed Aluminum	Remodeler & New Construction IC	30

#### 4" Baffle

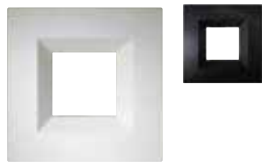
Provides general illumination minimizing glare, and the inside surface is ribbed to prevent light loss and direct the light.



Order code	Description	Colour	Compatible Housing	Case qty
63277	RFL4/TR/REC/BAF/WH/STD	White	Remodeler & New Construction IC	30
63278	RFL4/TR/REC/BAF/BLK/STD	Black	Remodeler & New Construction IC	30
63780	RFL4/TR/REC/BAF/BA/STD	Brushed Aluminum	Remodeler & New Construction IC	30

#### 4" Square

Modern design, with a square on square profile. Ideal for applications seeking a sleek design.



Order code	Description	Colour	Compatible Housing	Case qty
63290	RFL4/TR/REC/SQR/WH/STD	White	New Construction IC	24
63291	RFL4/TR/REC/SQR/BLK/STD	Black	New Construction IC	24

#### 4" Wall Wash

Asymmetric beam spread for vertical illumination and grazing light effect to emphasize close to walls surfaces.



Order code	Description	Colour	Compatible Housing	Case qty
63279	RFL4/TR/REC/WALL/WH/STD	White	Remodeler & New Construction IC	24

#### 4" Wet Location

Protective cover and gasket prevents moisture exposure to luminaire, specially designed to be used in wet areas.



Order code	Description	Colour	Compatible Housing	Case qty
63295	RFL4/TR/REC/WH/WET/STD	White	Remodeler & New Construction IC	30

#### 6" Slim


Fits tight around the module which sits flush with the ceiling. Ideal when more emphasis is needed for decorative finish.




Order code	Description	Colour	Compatible Housing	Case qty
63292	RFL6/TR/SLML/WH/STD	White	Surface Mount,	30
63293	RFL6/TR/SLML/BLK/STD	Black	Surface Mount,	30
63294	RFL6/TR/SLML/GRY/STD	Grey	Surface Mount,	30



# Integrated LED Recessed Solutions

Standard Products 

Standard Products Inc 

StandardProInc 

FlexLED by **STANPRO** 1-800-361-6965  
www.standardpro.com