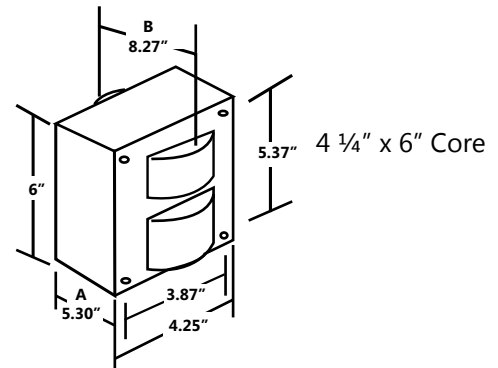


## ORDERING INFORMATION

Order code: 62927  
 Description: BHPS1000/TRITAP/C/CWA/H/K/STD  
 UPC: 69549629271

## SPECIFICATIONS

Ballast type: Magnetic high pressure sodium  
 Ballast style: Core and coil  
 Circuit type: CWA  
 ANSI code: S52  
 Input voltage (V): 120/277/347  
 Input frequency (Hz): 60  
 Line volt regulation: 10 %  
 Line watt regulation: Within trapezoid  
 Insulation class: H (180)



Input voltage (V)	Operating current (A)	Open circuit current (A)	Starting current (A)	Rated lamp watts (W)	Input watts (W)	OCV (V)	Dropout voltage (V)	UL 1029 code	Fuse rating (A)	Input current (A)	Power factor	Starting temperature
120	9.67	2.09	9.66	1 000	1 120	430	90	E	25	8.30 - 12.5	0.90	-40°F / -40°C
277	4.08	0.87	4.03	1 000	1 120	430	156	E	10	3.50 - 5.50	0.90	-40°F / -40°C
347	3.15	0.67	3.10	1 000	1 120	430	260	D	8	2.50 - 4.50	0.90	-40°F / -40°C

## HIGH POTENTIAL TEST (V)

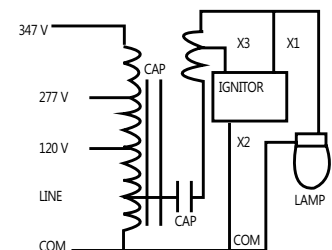
1 minute:	2 000
2 seconds:	2 500
OCV test:	390 - 460
Short circuit:	6.40 - 7.80

## BALLAST DIMENSIONS

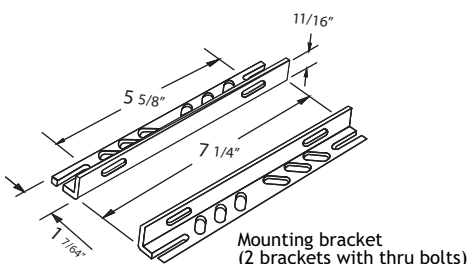
Dimension A:	5.30"
Dimension B:	8.27"
Lead lengths:	12" - 14"
Weight (lbs) :	32.74

## WIRING DIAGRAM

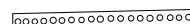
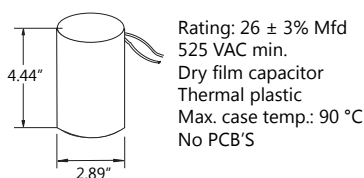
Ground ballast core



## BRACKET



## CAPACITOR



## IGNITOR

