

PART NO.	ENGINEERING NO.	FINISHED LENGTH
1300061160	105000A01F030	3.0FT [0.9M]
1300061163	105000A01F060	6.0FT [1.8M]
1300061179	105000A01F200	20.0FT [6.1M]
1300061226	105000A01M100	10M [32FT 10IN]

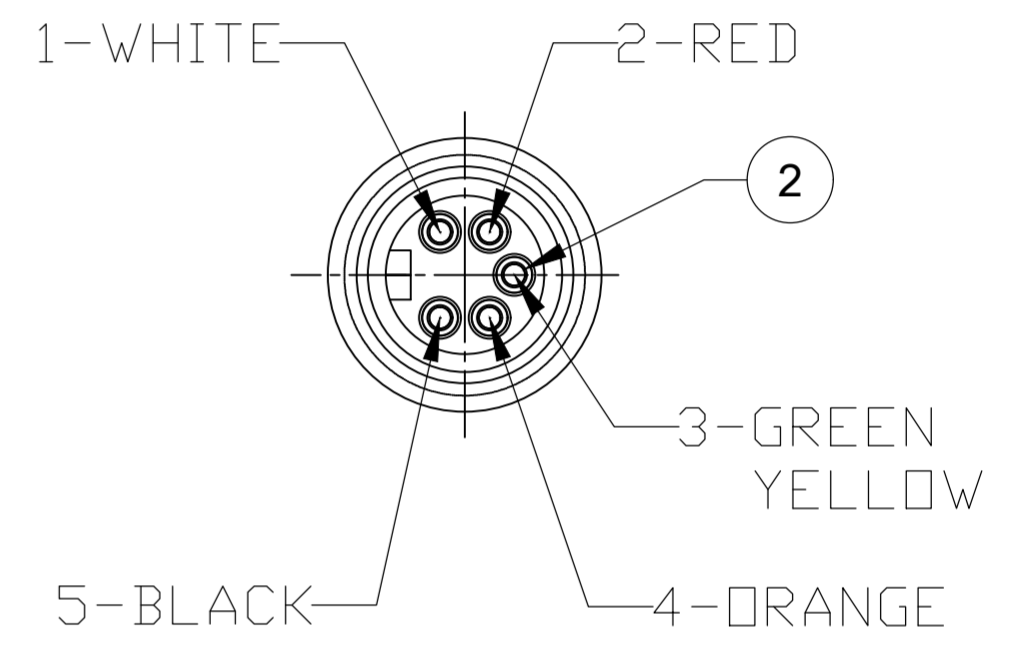
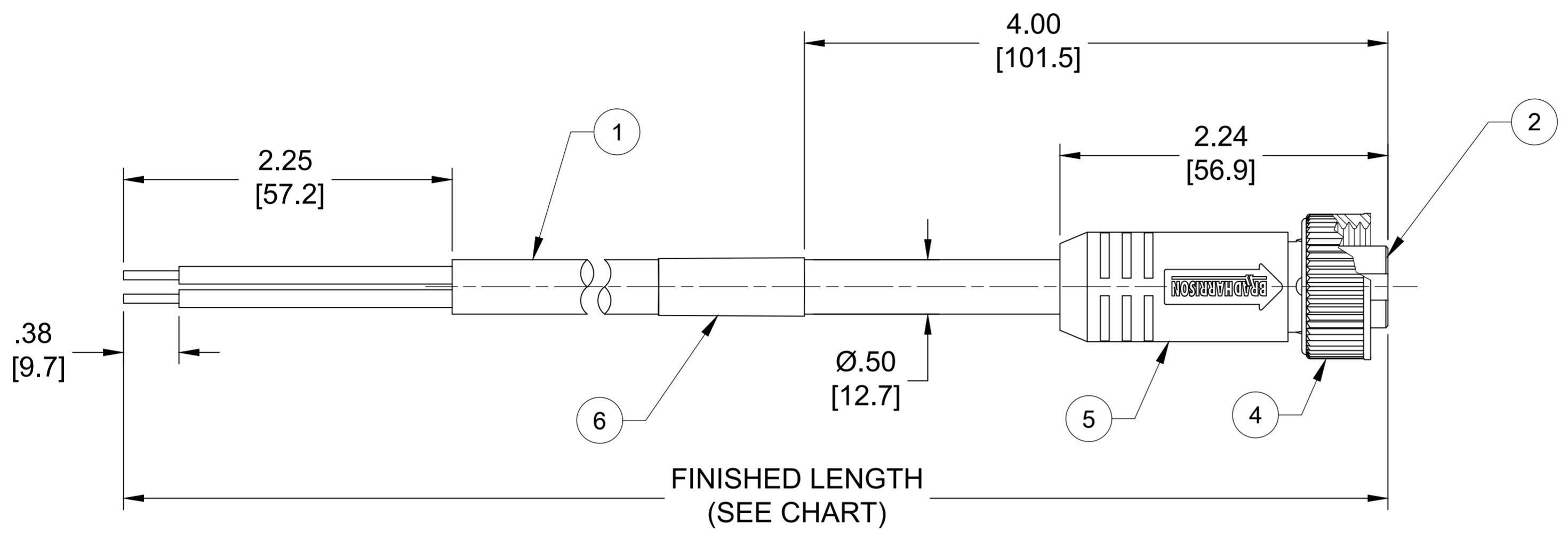
(A1)

PART NUMBER LEGEND

105000A01F030

POLE COUNT →

FINISHED LENGTH:
 F010= 1.0 FEET
 F100= 10.0 FEET
 M005= 0.5 METER
 M010= 1.0 METER
 M100= 10. METER



- NOTES:**
- MATERIAL: AS NOTED
 - FINISH: AS NOTED
 - ELECTRICAL:
 VOLTAGE: 400V PER IEC60664
 600V PER UL2238
 CURRENT: 8A
 - TEMP RATING: -20°TO +80°C
 - PROTECTION: IP67 (WHEN MATED)
 - COUPLING THREAD: 7/8-16UN
 - UL RECOGNIZED FILE: E152210
 CSA CERTIFIED FILE: LR6837
 - ALL DIMS ARE FOR REFERENCE UNLESS TOLERANCED OR NOTED OTHERWISE

CABLE LENGTH TOLERANCES

<.3M [1FT]:	+19mm-0 [+ .75in-0]
.3 - .9M [1 - 3FT]:	+44.5mm-0 [+1.75in-0]
.9 - 1.8M [3 - 6FT]:	+55.6mm-0 [+2.19in-0]
1.8 - 3.7M [6 - 12FT]:	+88.9mm-0 [+3.50in-0]
3.7 - 7.3M [12 - 24FT]:	+165.1mm-0 [+6.50in-0]
7.3-14.6M [24 - 48FT]:	+317.5mm-0 [+12.50in-0]
14.6 - 30.5M [48-100FT]:	+622.3mm-0 [+24.50in-0]
OVER 30M [100FT]	+2% OF FINISHED LENGTH

ITEM	DESCRIPTION	MATERIAL	FINISH
6	WRAP LABEL	VINYL	BLACK/YELLOW
5	OVERMOLD	TPE	YELLOW
4	COUPLING NUT, INT. THD	ZINC DIE-CAST	NICKEL PLATED
3	CONTACT SOCKET	COPPER ALLOY	GOLD PLATED
2	FEMALE INSERT	TPE	YELLOW
1	CABLE, 16/5, ST00W	PVC JACKET	YELLOW

THIS DRAWING CONTAINS INFORMATION THAT IS PROPRIETARY TO MOLEX ELECTRONIC TECHNOLOGIES, LLC AND SHOULD NOT BE USED WITHOUT WRITTEN PERMISSION

SYMBOLS	DIMENSION UNITS	SCALE	CURRENT REV DESC: 3FT METRIC LENGTH WAS 9.1M	
	INCH/MM	1:1		
▽ = 0	GENERAL TOLERANCES (UNLESS SPECIFIED)		EC NO: 646873	
		mm	INCH	
▽ = 0	4 PLACES	±----	±----	DRWN: RSTONE 2020/10/09
▽ = 0	3 PLACES	±----	±----	CHK'D: ALEON01 2020/10/13
▽ = 0	2 PLACES	±----	±----	APPR: BWOODMAN 2020/10/17
▽ = 0	1 PLACE	±----	±----	INITIAL REVISION:
▽ = 0	0 PLACES	±----	±----	DRWN: RSTONE 2019/09/11
▽ = 0	ANGULAR TOL ± ---- °		APPR: BWOODMAN 2019/10/03	
▽ = 0	DRAFT WHERE APPLICABLE MUST REMAIN WITHIN DIMENSIONS		THIRD ANGLE PROJECTION	DRAWING SERIES
▽ = 0			C-SIZE	130006

			MINI CHANGE CABLE ASSY, 5P, FEMALE, STR.		
			16AWG, ST00W, INTERNAL THREAD		
PRODUCT CUSTOMER DRAWING					
DOCUMENT NUMBER		DOC TYPE		DOC PART	
1300061160		PSD		000	
MATERIAL NUMBER		CUSTOMER		SHEET NUMBER	
		----		1 OF 1	