



LED Outdoor

STANDARD offers a wide range of LED outdoor luminaires that are perfect for a large variety of applications which create a visual impact for your building. Whether you need to light up a pathway, entryway, parking area or enhance architectural features, you are sure to find the perfect lighting solution for your needs!

LED Wall Pack

STANDARD's wide variety of Wall Pack luminaires is perfect for many applications such as offices buildings, entryways, schools or parking areas. They are offered in different housing colours and wattages to create a seamless look with your environment.

- The full cutoff wall packs in 3 000 K are IDA (International - Dark Sky Association) approved
- 0-10 V dimming on dimmable models

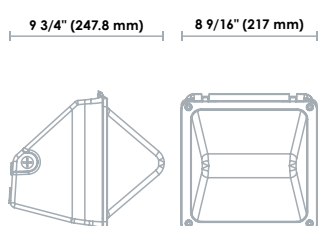


Classic 30 W

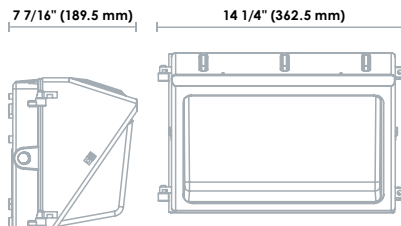


Classic 40, 50, 60, 120 W

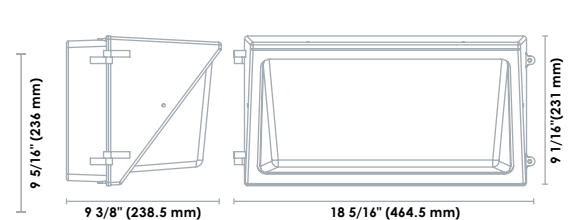
Order code	Description	Watts	Volts	Colour temp.	CRI	Life L70	Lumen output	Finish	Dimming capability (Yes/No)	Traditionnal equivalent (W)		Case qty (master)
		(W)	(VAC)	(K)		(hrs)	(lm)			MH	HPS	
Classic Wall Packs												
65579	LWP/CLASSIC/S2/30W/40K/120-277V/BRZ/STD	30	120-277	4 000	70	50 000	2 778	Bronze	No	100	70	4
65582	LWP/CLASSIC/S2/40W/40K/347V/BRZ/STD	40	277-480	4 000	70	50 000	4 654	Bronze	Yes	175	100	1
65580	LWP/CLASSIC/S2/50W/40K/120-277V/BRZ/STD	50	120-277	4 000	70	50 000	5 110	Bronze	No	175	150	1
65581	LWP/CLASSIC/S2/60W/40K/120-277V/BRZ/STD	60	120-277	4 000	70	50 000	7 456	Bronze	Yes	250	200	1
66042	LWP/CLASSIC/S2/60W/40K/347/BRZ/STD	60	277-480	4 000	70	50 000	6 673	Bronze	Yes	250	200	1
66043	LWP/CLASSIC/120W/40K/120-277/BRZ/STD	120	120-277	4 000	70	50 000	14 212	Bronze	Yes	400	250	1



Classic 30 W



Classic 40, 50, 60 W



Classic 120 W



Integrated Dusk to Dawn photocell to maximize energy efficiency

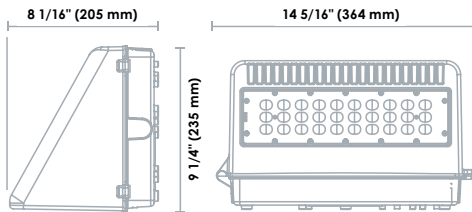


Full Cutoff

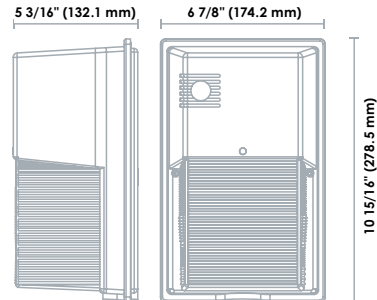


Square

Order code	Description	Watts	Volts	Colour temp.	CRI	Life L70	Lumen output	Finish	Dimming capability	Traditional equivalent (W)		Case qty
		(W)	(VAC)	(K)		(hrs)	(lm)		(Yes/No)	MH	HPS	(master)
Full Cutoff Wall Packs												
65565 ²	LWP/FCO/50W/30K/120-277/BRZ/STD	50	120-277	3 000	80	50 000	5 617	Bronze	No	175	150	1
65566	LWP/FCO/50W/40K/120-277/BRZ/STD	50	120-277	4 000	80	50 000	5 826	Bronze	No	175	150	1
65567 ²	LWP/FCO/80W/30K/120-277/BRZ/STD	80	120-277	3 000	80	50 000	8 957	Bronze	Yes	250	200	1
65568	LWP/FCO/80W/40K/120-277/BRZ/STD	80	120-277	4 000	80	50 000	9 053	Bronze	Yes	250	200	1
Square Wall Pack												
65570 ¹	LWP/SQR/S2/20W/40K/120-277/BRZ/STD	20	120-277	4 000	80	50 000	2 100	Bronze	No	70	70	6



Full Cutoff

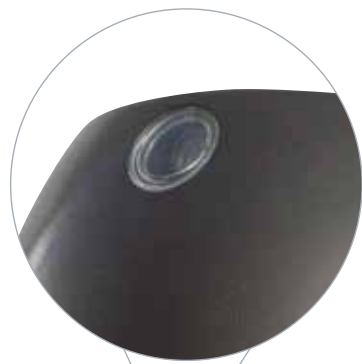


Square

09

Lumen values are derived from photometric testing
 For a complete list of compatible dimmers and DLC qualified products, please visit www.standardpro.com
¹ CAUTION: This product uses an input 100-277 VAC driver, the actual working voltage is dependent on the input voltage of the photocell that is installed on the product (where applicable)



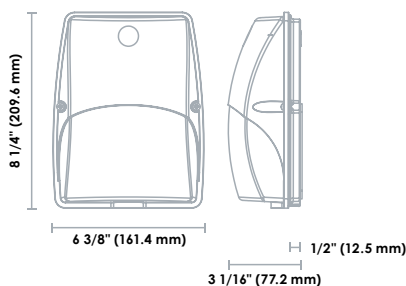


Integrated Dusk to Dawn photocell to maximize energy efficiency

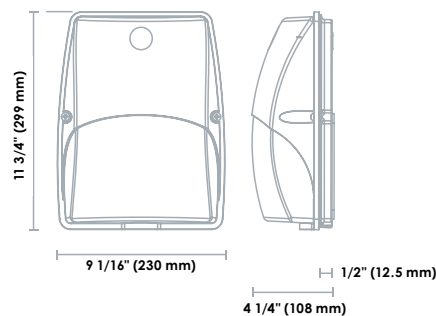


Sleek

Order code	Description	Watts	Volts	Colour temp.	CRI	Life L70	Lumen output	Finish	Traditionnal equivalent (W)		Case qty (master)
		(W)	(VAC)	(K)					MH	HPS	
63771	LED/WP/18W/40K/120V/WH/PC/STD	18	120	4 000	80	50 000	1 750	White	70	50	12
63772	LED/WP/18W/40K/120V/BLK/PC/STD	18	120	4 000	80	50 000	1 750	Black	70	50	12
63773	LED/WP/18W/40K/120V/SLV/PC/STD	18	120	4 000	80	50 000	1 750	Silver	70	50	12
63774	LED/WP/18W/40K/120V/BRZ/PC/STD	18	120	4 000	80	50 000	1 750	Bronze	70	50	12
63775	LED/WP/30W/40K/120V/WH/PC/STD	30	120	4 000	80	50 000	2 800	White	100	70	12
63776	LED/WP/30W/40K/120V/BLK/PC/STD	30	120	4 000	80	50 000	2 800	Black	100	70	12
63777	LED/WP/30W/40K/120V/SLV/PC/STD	30	120	4 000	80	50 000	2 800	Silver	100	70	12
63778	LED/WP/30W/40K/120V/BRZ/PC/STD	30	120	4 000	80	50 000	2 800	Bronze	100	70	12



Sleek 18 W



Sleek 30 W

Lumen values are derived from photometric testing
 CAUTION: These products use an input 100-277 VAC driver, the actual working voltage is dependent on the input voltage of the photocell that is installed on the product (where applicable)



Adjustable tilt up to 90°



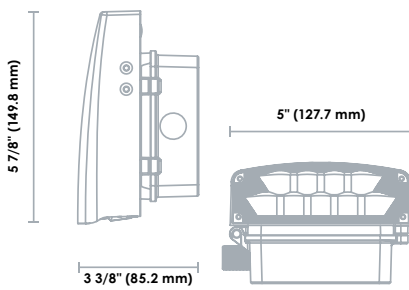
Slim 12 W

Integrated level inside the housing to facilitate installation

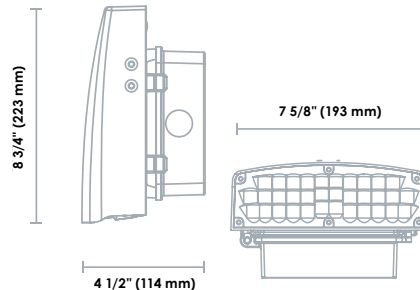


Slim 30, 40, 50, 80 W

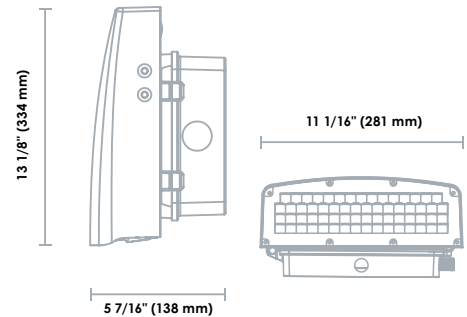
Order code	Description	Watts	Volts	Colour temp.	CRI	Life L70	Lumen output	Finish	Dimming capability	Traditional equivalent (W)		Case qty (master)
		(W)	(VAC)	(K)	(hrs)	(lm)	MH			HPS		
65571	LWP/SLM/S2/12W/40K/120-277/BRZ/STD	12	120-277	4 000	80	50 000	1 324	Bronze	No	50	-	8
65572	LWP/SLM/S2/30W/40K/120-277/BRZ/STD	30	120-277	4 000	80	50 000	3 337	Bronze	No	100	100	4
65573	LWP/SLM/S2/30W/40K/120-277/WH/STD	30	120-277	4 000	80	50 000	3 337	White	No	100	100	4
65578	LWP/SLM/S2/40W/40K/347/BRZ/STD	40	347-480	4 000	80	50 000	4 204	Bronze	Yes	150	100	4
65574	LWP/SLM/S2/50W/40K/120-277/BRZ/STD	50	120-277	4 000	80	50 000	5 349	Bronze	No	175	150	4
65575	LWP/SLM/S2/50W/40K/120-277/WH/STD	50	120-277	4 000	80	50 000	5 349	White	No	175	150	4
65576	LWP/SLM/S2/80W/40K/120-277/BRZ/STD	80	120-277	4 000	80	50 000	9 328	Bronze	Yes	250	200	2
65577	LWP/SLM/S2/80W/40K/120-277/WH/STD	80	120-277	4 000	80	50 000	9 328	White	Yes	250	200	2



Slim 12 W



Slim 30, 40, 50 W



Slim 80 W

09



ADJUSTABLE WALL PACK



RATING



WET



TEMPERATURE



WARRANTY



UL US



DLC QUALIFIED

Lumen values are derived from photometric testing. For a complete list of compatible dimmers and DLC qualified products, please visit www.standardpro.com



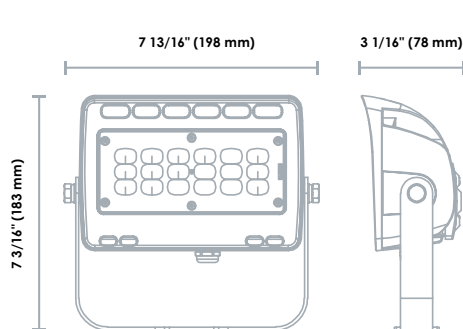
LED Flood

Flood luminaires are perfect for various applications such as wall washing, lighting pathways, landscape or signage lighting. They are offered in multiple wattages to fit both residential and commercial uses, and have a wide flood distribution for a large and uniform light pattern.

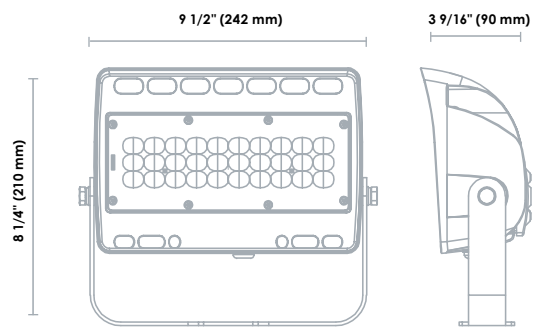


Yoke 30, 50 W

Order code	Description	Watts	Volts	Colour temp.	CRI	Life L70	Lumen output	Finish	NEMA type	Traditional equivalent (W)		Case qty (master)
		(W)	(VAC)	(K)	(hrs)	(lm)	MH			HPS		
65591	LFL/S2/30W/40K/YK/120-277/BRZ/STD	30	120-277	4 000	80	50 000	3 400	Bronze	7H x 7V	100	70	6
65593	LFL/S2/50W/40K/YK/120-277/BRZ/STD	50	120-277	4 000	80	50 000	6 000	Bronze	7H x 7V	175	150	6



Yoke 30 W



Yoke 50 W



Knuckle 10 W

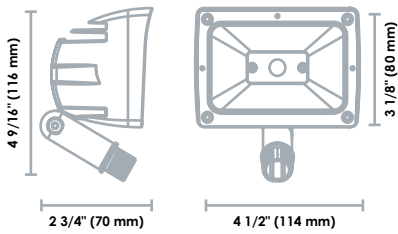


Knuckle 12 W

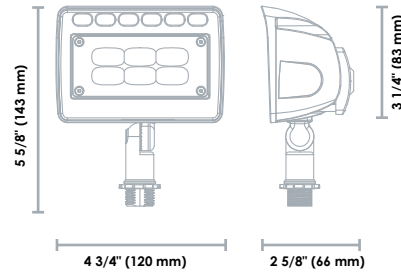


Knuckle 30, 50 W

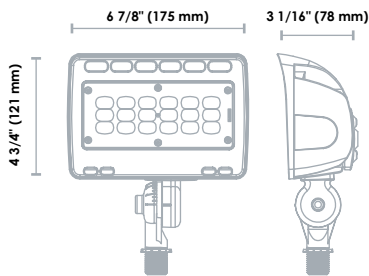
Order code	Description	Watts	Volts	Colour temp.	CRI	Life L70	Lumen output	Finish	NEMA type	Traditionnal equivalent (W)		Case qty
		(W)	(VAC)	(K)		(hrs)	(lm)			MH	HPS	(master)
64217	LED/FL/10W/30K/KN/120-277V/WH/STD	10	120-277	3 000	70	50 000	900	White	-	50	35	8
65583	LFL/S2/12W/30K/KN/120-277/BRZ/STD	12	120-277	3 000	80	50 000	1 270	Bronze	7H x 6V	50	70	12
65585	LFL/S2/12W/30K/KN/120-277/BLK/STD	12	120-277	3 000	80	50 000	1 300	Black	7H x 6V	50	35	12
65587	LFL/S2/12W/40K/KN/120-277/WH/STD	12	120-277	4 000	80	50 000	1 400	White	7H x 6V	50	35	12
65586	LFL/S2/12W/40K/KN/120-277/BRZ/STD	12	120-277	4 000	80	50 000	1 400	Bronze	7H x 6V	50	35	12
65588	LFL/S2/12W/40K/KN/120-277/BLK/STD	12	120-277	4 000	80	50 000	1 400	Black	7H x 6V	50	35	12
65590	LFL/S2/30W/30K/KN/120-277/BRZ/STD	30	120-277	3 000	80	50 000	3 200	Bronze	7H x 7V	100	70	6
65589	LFL/S2/30W/40K/KN/120-277/BRZ/STD	30	120-277	4 000	80	50 000	3 400	Bronze	7H x 7V	100	70	6
65592	LFL/S2/50W/40K/KN/120-277/BRZ/STD	50	120-277	4 000	80	50 000	6 000	Bronze	7H x 7V	175	150	6



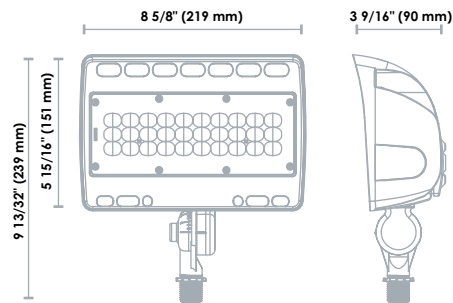
Knuckle 10 W



Knuckle 12 W



Knuckle 30 W



Knuckle 50 W

Accessories

Order code	Description	Type	Finish	Compatible with
64150 ¹	KN/ACC/WPCOVER/BRZ/STD	Weather proof cover plate	Bronze	65583, 65586, 65589, 65590, 65592
64208 ¹	KN/ACC/WPCOVER/WH/STD	Weather proof cover plate	White	64217, 65587
64209 ¹	KN/ACC/WPCOVER/BLK/STD	Weather proof cover plate	Black	65585, 65588



Lumen values are derived from photometric testing
 For a complete list of DLC qualified products, please visit www.standardpro.com
¹2 screws (10/24") and foam plate included with weather proof cover plate

LED Large Flood and Area S2



Slip Fitter
100, 150 W



Slip Fitter
220 W



Slip Fitter
380 W



Straight Arm
150 W



Straight Arm
220 W



Yoke 150 W



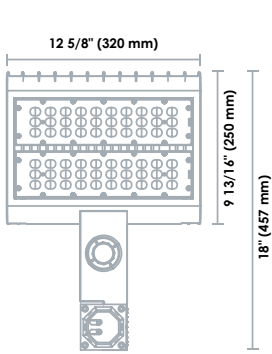
Yoke 220 W

Order code	Description	Watts	Volts	Colour temp.	CRI	Life L70	Lumen output	Finish	NEMA type	Distribution type	Traditional equivalent (W)		Case qty (master)
		(W)	(VAC)	(K)	(hrs)	(lm)	MH				HPS		
Slip Fitter													
65594 ¹	LFL/L/S2/100W/40K/III/SF/120-277/BRZ/STD	100	120-277	4 000	80	50 000	12 468	Bronze	7H x 6V	III	250	200	1
65596 ¹	LFL/L/S2/150W/40K/III/SF/120-277/BRZ/STD	150	120-277	4 000	80	50 000	18 852	Bronze	7H x 6V	III	400	250	1
65602 ¹	LFL/L/S2/220W/40K/III/SF/347/BRZ/STD	220	277-480	4 000	80	50 000	27 252	Bronze	7H x 6V	III	400	400	1
Straight Arm													
66066	LFL/L/S2/150W/40K/III/MA/120-277/BRZ/STD	150	120-277	4 000	80	50 000	18 852	Bronze	7H x 6V	III	400	250	1
66072	LFL/L/S2/220W/40K/III/MA/120-277/BRZ/STD	220	120-277	4 000	80	50 000	28 362	Bronze	7H x 6V	III	400	400	1
Yoke													
66068	LFL/L/S2/150W/40K/II/YK/347/BRZ/STD	150	277-480	4 000	80	50 000	17 972	Bronze	7H x 6V	II	400	250	1
66078	LFL/L/S2/220W/40K/II/YK/347/BRZ/STD	220	277-480	4 000	80	50 000	27 582	Bronze	7H x 6V	II	400	400	1

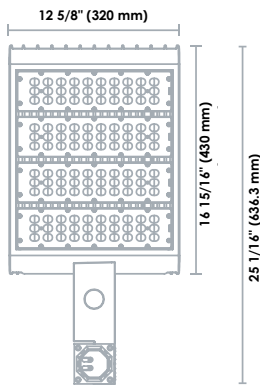
Lumen values are derived from photometric testing
For a complete list of compatible dimmers and DLC qualified products,
please visit www.standardpro.com
¹Use a post with a diameter of 2 3/8"



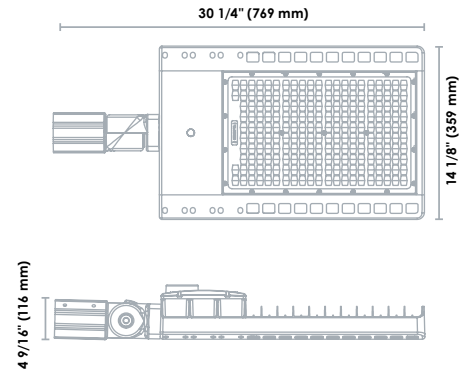
Dimensions



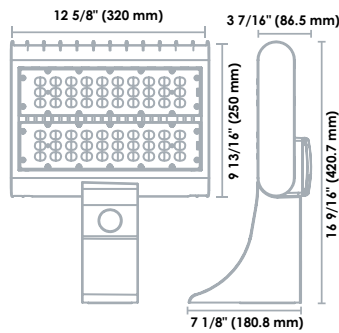
Slip Fitter 100, 150 W



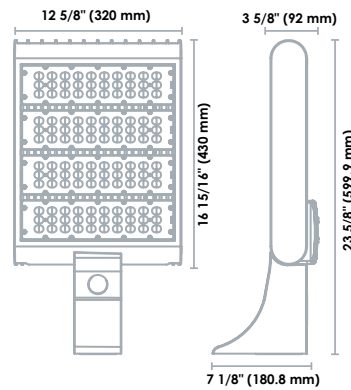
Slip Fitter 220 W



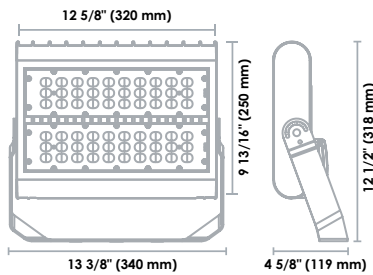
Slip Fitter 380 W



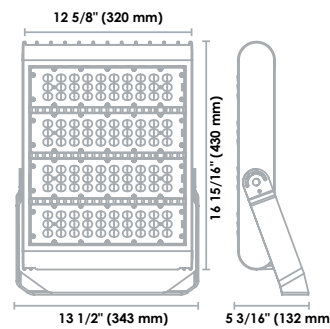
Straight Arm 150 W



Straight Arm 220 W



Yoke 150 W



Yoke 220 W

09

Accessories

Order code	Description	Type	Finish	Compatible with
66155	LFL/L/S2/ACC/SF/SQR POLE MOUNT/STD	Slip fitter to square pole mount	Bronze	65594, 65596, 65597, 65602, 66037
66702	LFL/L/S2/ACC/MA/RND POLE MOUNT/STD	Straight arm to round pole mount 4", 5" & 6"	Bronze	66066, 66072



LED Large Flood S3

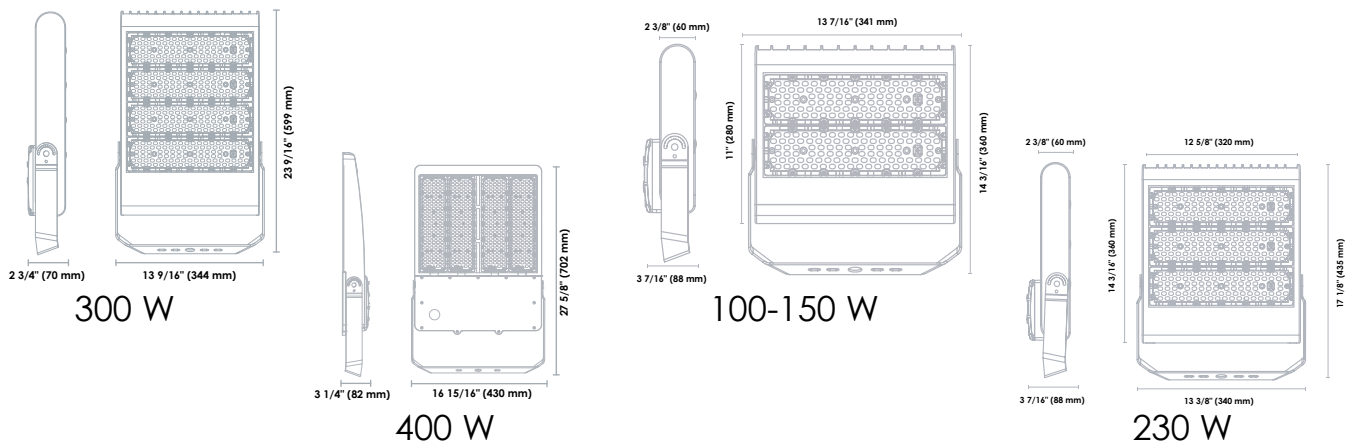
STANDARD's Large Flood S3 luminaires provide a wide beam with a 7H x 7V distribution. Ideal for multiple applications such as signs, large building facades and general area lighting when a shorter setback is needed.



Order code	Description	Watts	Volts	Colour temp.	CRI	Life L70	Lumen output	Finish	NEMA type	Traditionnal equivalent (W)		Case qty (master)
		(W)	(VAC)	(K)	(hrs)	(lm)	MH			HPS		

Yoke

66879	FL/S3/100-277/100W/40K/YK/BZ/STD	100	100-277	4 000	70	50 000	13500	Bronze	7H*6V	-	-	1
66887	FL/S3/100-277/150W/40K/YK/BZ/STD	150	100-277	4 000	70	50 000	20250	Bronze	7H*6V	-	-	1
66924	FL/S3/100-277/230W/40K/YK/BZ/STD	230	100-277	4 000	70	50 000	31050	Bronze	7H*6V	-	-	1
66932	FL/S3/100-277/300W/40K/YK/BZ/STD	300	100-277	4 000	70	50 000	39 454	Bronze	7H x 7V	1000	1000	1
66936	FL/S3/277-480/300W/40K/YK/BZ/STD	300	277-480	4 000	70	50 000	41 454	Bronze	7H x 7V	1000	1000	1
66940 ¹	FL/S3/100-277/400W/40K/YK/BZ/STD	400	100-277	4 000	70	50 000	50 807	Bronze	7H x 7V	1000	1000	1
66944 ¹	FL/S3/277-480/400W/40K/YK/BZ/STD	400	277-480	4 000	70	50 000	50 859	Bronze	7H x 7V	1000	1000	1



Lumen values are derived from photometric testing. For a complete list of compatible dimmers and DLC qualified products, please visit www.standardpro.com

¹ Please consult factory for stock availability.



LED Area and Roadway S3

STANDARD's Area and Roadway S3 luminaires are perfectly suited to light up roadways, parking lots and general areas with their type III light distribution. Their new design allows changing mounting brackets to fit into multiple applications and an offering of accessories also add to the possibilities of mounting types.

- Slipfitter mount included with luminaire
- Optional straight arm mount accessory



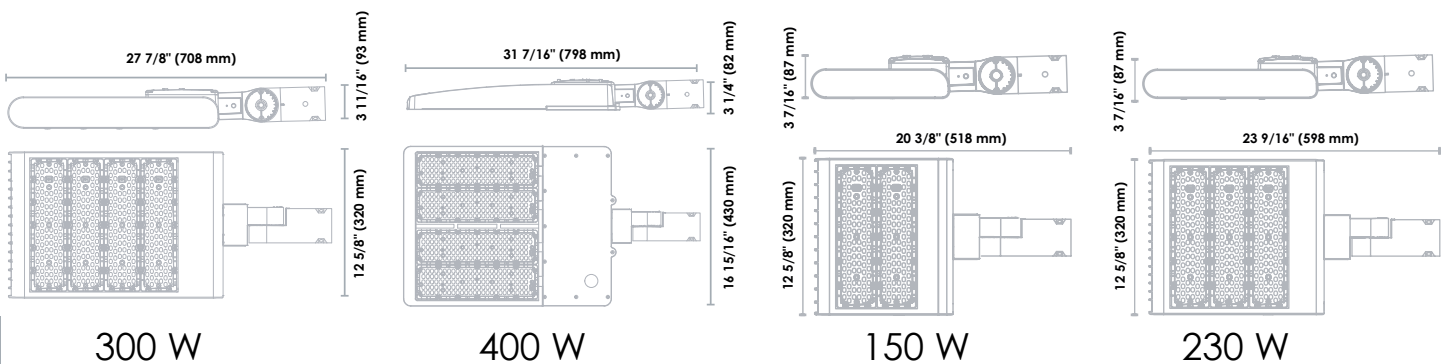
Order code	Description	Watts	Volts	Colour temp.	CRI	Life L70	Lumen output	Finish	Distribution type	Traditionnal equivalent (W)		Case qty (master)
		(W)	(VAC)	(K)	(hrs)	(lm)	MH			HPS		

Slip Fitter

66922	ARL/S3/277-480/150W/40K/III/SF/BZ/STD	150	277-480V	4 000	70	50000	20250	Bronze	Type III	-	-	1
66926	ARL/S3/100-277/230W/40K/III/SF/BZ/STD	230	100-277V	4 000	70	50000	31050	Bronze	Type III	-	-	1
66934 ¹	ARL/S3/100-277/300W/40K/III/SF/BZ/STD	300	100-277	4 000	70	39 454	40 500	Bronze	Type III	750	750	1
66938 ¹	ARL/S3/277-480/300W/40K/III/SF/BZ/STD	300	277-480	4 000	70	41 454	40 500	Bronze	Type III	750	750	1
66942 ^{1,2}	ARL/S3/100-277/400W/40K/III/SF/BZ/STD	400	100-277	4 000	70	50 807	52 000	Bronze	Type III	1000	1000	1
66946 ^{1,2}	ARL/S3/277-480/400W/40K/III/SF/BZ/STD	400	277-480	4 000	70	50 859	52 000	Bronze	Type III	1000	1000	1

Optional Straight Arm Mounting

67055	FL/S3/ACC/MA/STD	-	-	-	-	-	-	Bronze	-	-	-	6
-------	------------------	---	---	---	---	---	---	--------	---	---	---	---



09

Accessories

Order code	Description	Type	Finish	Compatible with
66155	LFL/L/S2/ACC/SF/SQR POLE MOUNT/STD	Slip fitter to square pole mount	Bronze	66934, 66938, 66942, 66946
66702	LFL/L/S2/ACC/MA/RND POLE MOUNT/STD	Straight arm to round pole mount 4", 5" & 6"	Bronze	66934, 66938, 66942, 66946



Lumen values are derived from photometric testing. For a complete list of compatible dimmers and DLC qualified products, please visit www.standardpro.com.
¹ Use a post with a diameter of 2 3/8"
² Please consult factory for stock availability.

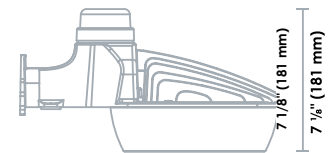
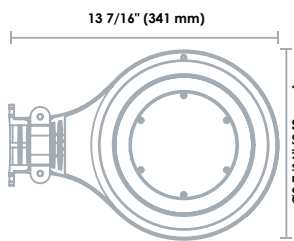




LED Yard Light



Integrated Dusk to Dawn photocell to maximize energy efficiency



Order code	Description	Watts	Volts	Colour temp.	CRI	Life L70	Lumen output	Finish	Distribution type	Traditional equivalent (W)		Case qty (master)
		(W)	(VAC)	(K)	(hrs)	(lm)	MH			HPS		
65569	LYL/S2/50W/40K/120-277/SLV/STD	50	120-277	4 000	80	50 000	5 500	Silver	V	150	100	2

Included in the box

- Extension arm
- Mounting bracket
- Mounting hardware for wall and arm mounting



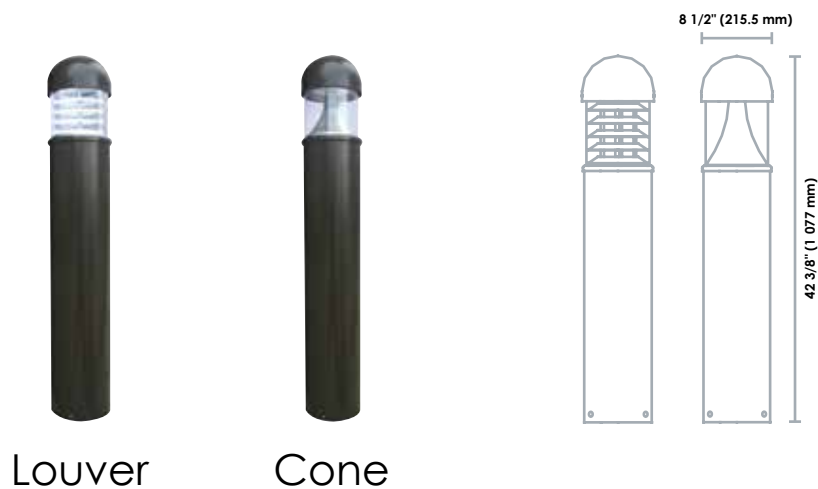
Lumen values are derived from photometric testing
 For a complete list of DLC qualified products, please visit www.standardpro.com
 CAUTION: This product uses an input 100-277 VAC driver, the actual working voltage is dependent on the input voltage of the photocell that is installed on the product (where applicable)



LED Bollard

LED outdoor bollards are perfect for lighting pathways and entryways. They will fit seamlessly into the landscape and add a decorative touch to your building. They will also provide adequate lighting for increased safety on your property.

- Offered in two diffuser styles
- Cone allows for a larger lumen output
- Louver replicates the traditional look



Louver

Cone

Order code	Description	Watts (W)	Volts (VAC)	Colour temp. (K)	CRI	Life L70 (hrs)	Lumen output (lm)	Finish	Distribution type	Traditional equivalent (W) MH	Case qty (master)
Louver											
65530	LBOL8/LOUV/25W/40K/120-277/RND/BRZ/STD	25	120-277	4 000	70	50 000	1 325	Bronze	V	50/70	1
Cone											
65531	LBOL8/CONE/25W/40K/120-277/RND/BRZ/STD	25	120-277	4 000	70	50 000	1 925	Bronze	V	50/70	1

09



Lumen values are derived from photometric testing

STANDARD © 2019 STANDARD Products Inc. All Rights Reserved. www.standardpro.com Rev. October 28, 2019 .

LED Canopy and garage

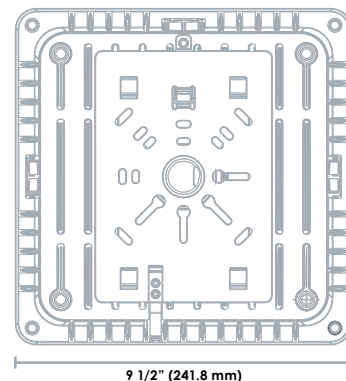
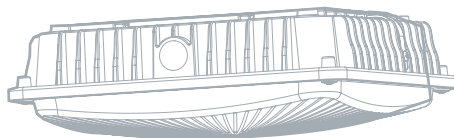
With its superior rugged construction and low profile design, the LED Canopy series of luminaires is the perfect solution for parking garages and canopy applications. Wet location certified with an IP65 rating, this luminaire is dust and moisture proof, ideal for installation in areas susceptible to dirt and dust.



Mounting plate attached with a clip in order to free up your hands for wiring!

Order code	Description	Watts (W)	Volts (V)	Colour temp. (K)	Lumen output (lm)	CRI	Life L70 ¹ (hrs)	Efficiency (lm/W)	Case qty (master)
64841	LCAN/45W/40K/120-277V/BRZ/CL/STD	45	120-277	4 000	4 130	70	50 000	91	6
64844	LCAN/65W/40K/347V/BRZ/CL/STD	65	347	4 000	6 532	70	50 000	99	6
67686	CAN/S2/40W/40K/120-277V/BRZ/CL/STD	40	120-277	4 000	5 350	72	50 000	134	6
67687	CAN/S2/40W/50K/120-277V/BRZ/CL/STD	40	120-277	5 000	5 450	72	50 000	136	6
67688	CAN/S2/40W/40K/347-480V/BRZ/CL/STD	40	347-480	4 000	5 350	72	50 000	134	6
67689	CAN/S2/40W/50K/347-480V/BRZ/CL/STD	40	347-480	5 000	5 450	72	50 000	136	6
67690	CAN/S2/60W/40K/120-277V/BRZ/CL/STD	60	120-277	4 000	7 800	72	50 000	130	6
67691	CAN/S2/60W/50K/120-277V/BRZ/CL/STD	60	120-277	5 000	8 000	72	50 000	133	6
67693	CAN/S2/60W/50K/347-480V/BRZ/CL/STD	60	347-480	5 000	8 000	72	50 000	133	6

3 3/16" (81 mm)



9 1/2" (241.8 mm)

Replacement lens

Order code	Description	Replacement
66237	LCAN/ACC/LENS/CL/STD	64841, 64842, 64843, 64844



Lumen values are derived from photometric testing
For a complete list of compatible dimmers and DLC qualified products, please visit www.standardpro.com
¹Estimated life hours



LED Security Light

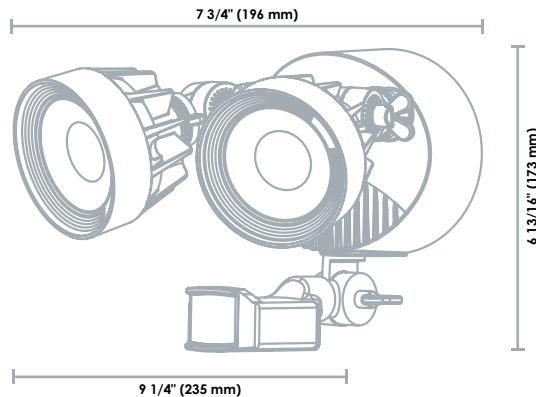
LED security lights are perfect for applications such as yards, walkways, driveways, patios, parking lots and loading areas. They can easily replace traditional luminaires while offering superior performance and savings on energy consumption.

The security lights are equipped with a motion sensor allowing you to set the lights to turn ON when motion is detected during daytime or nighttime. This ensures that the area is well lit and provides added security at night.

- 180° detection motion sensor
- Integrated Dusk to Dawn photocell
- Adjustable heads to direct the light where needed
- Adjustable detection range up to 65ft/20m



Order code	Description	Watts	Volts	Colour temp.	CRI	Life L70	Lumen output	Finish	Beam angle	Traditional equivalent (W) MH	Case qty (master)
		(W)	(VAC)	(K)	(hrs)	(lm)					
64600	LED/SL2H/24W/30K/120-277V/MS/BRZ/STD	2x12	120-277	3 000	80	50 000	1 980	Bronze	60	50/70	4
64601	LED/SL2H/24W/30K/120-277V/MS/WH/STD	2x12	120-277	3 000	80	50 000	1 980	White	60	50/70	4
64602	LED/SL2H/24W/40K/120-277V/MS/BRZ/STD	2x12	120-277	4 000	80	50 000	2 058	Bronze	60	50/70	4
64603	LED/SL2H/24W/40K/120-277V/MS/WH/STD	2x12	120-277	4 000	80	50 000	2 058	White	60	50/70	4



09

Lumen values are derived from photometric testing
 For a complete list of ENERGY STAR qualified products, please visit www.standardpro.com
 CAUTION: These products use an input 100-277 VAC driver, the actual working voltage is dependent on the input voltage of the photocell that is installed on the product (where applicable)

