

Project: _____ Type: _____

Drawn by: _____ Catalogue #: _____ Date: _____

Individual Spec Sheet

LED WALL SCONCE - TRADITIONAL

Triple Module

ORDERING INFORMATION

Order code: 65843
Model number: SVAN/TRIPLE/30W/40K/BN/F/STD
UPC: 069549658431
Case quantity: 6

PHYSICAL DATA

Housing finish: Brushed Nickel
Lens Finish: Reversible Frosted Lens – Glossy Or Matte Finish
Lens Material: Acrylic
Mounting: Surface Mount

PERFORMANCE DATA

Watts (W): 30
Volts (V): 120
Colour temp. (K): 4 000
Lumen output (lm): 1 800
Lumen per Watts (lm/W): 60
CRI: 90
Life L70 (h): 50 000
Beam angle (°): 120
THD (%): <30
Power factor: >0.9
Frequency (Hz): 60
Dimmer type: Forward and Reverse phase
Operating temp. range: -20°C to 45°C (-4°F to 113°F)

¹ Typical colour temperature range: +/- 5 %

² Lumen values are derived from Energy Star reported data

³ Life hours are derived from IESNA LM80-08 testing report and projected per IESNA TM-21-11 extrapolations

ACCESSORIES (order separately)

Order code	Part number	Type	Finish / color	Case qty (inner/master)
65959	SVAN/LENS/F/STD	Lens for modular vanity and wall sconce	Frosted	10/200

COMPATIBLE DIMMERS

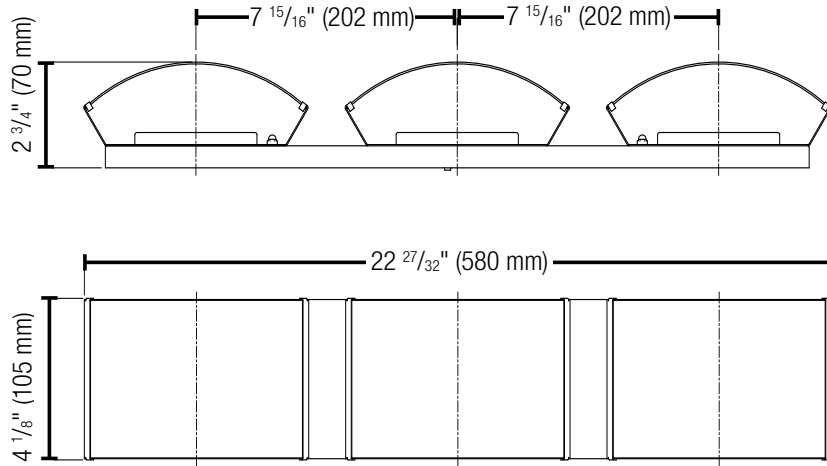
Brand	Model
LEGRAND	HCL453P
COOPER	DAL06P, SLC03P, AAL06
LEVITON	6615, IPL06, 6674, DSL06-1LZ, DSM10-1LZ, IPE04-1Lz
LUTRON	PD-6WCL, CTCL-153P, DVCL-253P, AYCL-253P, DVELV-300P, SELV-300P, MACL-153P

NOTE: The above table shows dimmers that have been tested and have demonstrated proper operation under normal conditions. Each installation being unique, various factors such as load, common neutrals or other electrical products on the circuit can, in certain instances, cause variance in system performance. Read and comply to the dimmer installation instructions. Consult dimming system manufacturer for additional support in operation. Stanpro recommends to use dimmers designed to work with LED products. Older dimmers designed for incandescent products may cause erratic operation. Some dimmers may require more than one product for stable operation. The maximum number of products is determined by the dimmer wattage rating with LEDs. Be careful, these dimmers have different ratings depending on the product type. Again, refer to the dimmer installation instructions.

This lighting equipment complies with Canadian standard ICES-005 for use in residential applications. Data is based upon tests performed in a controlled environment. Actual performance can vary depending on operating conditions. Specifications are subject to change without notice.



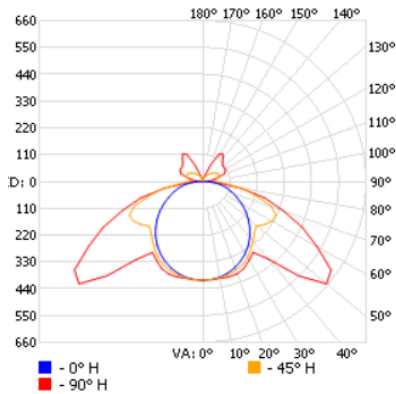
DIMENSIONS



PHOTOMETRIC DATA¹

65843 • SVAN/TRIPLE/30W/40K/BN/F/STD • 2 028.6 lm

Polar candela distribution



Zonal lumen summary

Zone	Lumens	% Fixture
0-30	323.9	16
0-40	538.1	26.5
0-60	1 149.1	56.6
60-90	585.4	28.9
70-100	327.7	16.2
90-120	153.0	7.5
0-90	1 734.5	85.5
90-180	294.1	14.5
0-180	2 028.6	100

Illuminance at a distance

Center beam fc		Beam width	
1.7'	140	5.1'	9.9'
3.3'	37.1	10.0'	19.1'
5.0'	16.2	15.1'	29.0'
6.7'	9.01	20.3'	38.9'
8.3'	5.87	25.1'	48.2'
10.0'	4.05	30.3'	58.0'

■ Vert. spread: 113.1°
■ Horiz. spread: 142.0°

¹ Complete IES files available on our website.

Qty	Description	Price

I accept the specifications of the luminaire configuration mentioned above.

Name: _____
 Company: _____
 Signature: _____

Date: _____

Data is based upon tests performed in a controlled environment. Actual performance can vary depending on operating conditions. All products are subject to change or may be discontinued any time without notice.