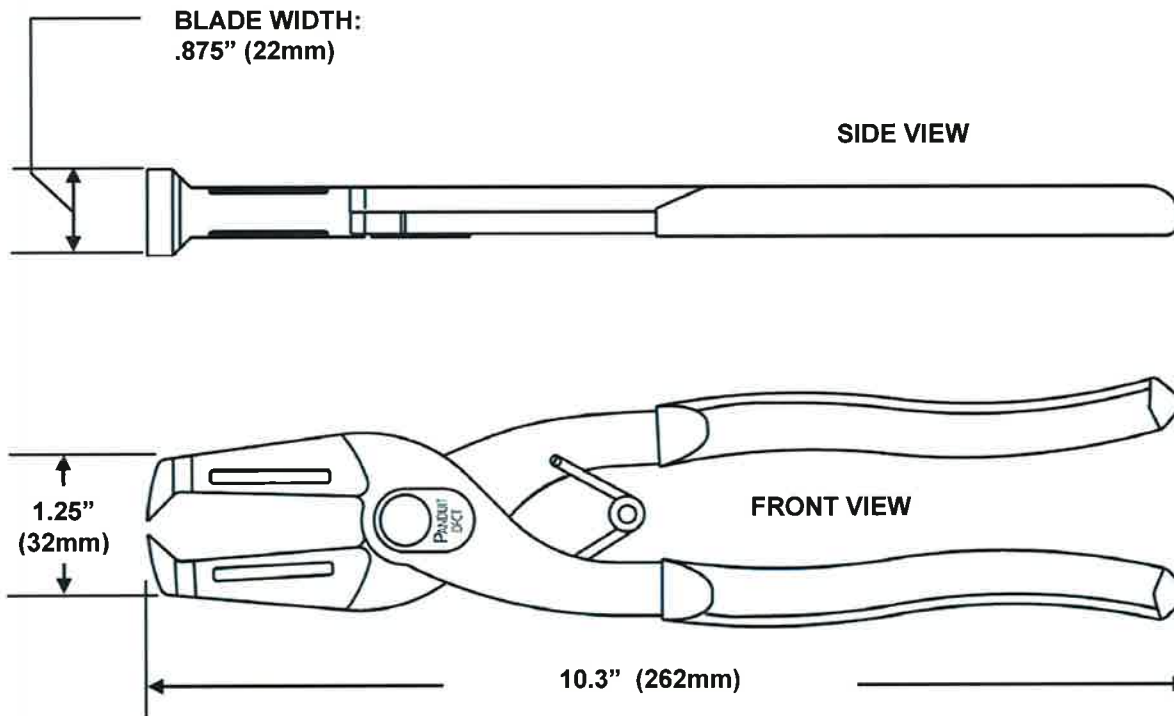


THIS COPY IS PROVIDED ON A RESTRICTED BASIS AND IS NOT TO BE USED IN ANY WAY DETRIMENTAL TO THE INTERESTS OF PANDUIT CORP.



NOTES:

- Cuts Panduct Wide Finger Wiring Duct
- Also removes NR1 Nylon Rivets
- Spring open handles
- Heavy duty steel construction

WEIGHT: 1.09 lb./ea.
(495 gm./ea.)

DIMENSIONS ARE FOR REFERENCE ONLY

F:\wrkgrp\rvusers\ENGR DOCS\CUSTOMER DRAWINGS\WD24740A01_03 DFCT CD.doc

**DFCT
DUCT FINGER CUTTING TOOL**

CUSTOMER DRAWING

ITEM REVISION NAME:

WD24740A01_03



UNLESS OTHERWISE SPECIFIED,
DIMENSIONAL TOLERANCES ARE:

(.x) ± --- (.xxx) ± ---
(.xx) ± --- ANGLES ± ---

MATERIAL:



THIRD ANGLE
PROJECTION

DRAWING NUMBER:
WD24740A01

REV	DATE	BY	CHK	APR	DESCRIPTION	ECN
03	7-29-14	BLR			UPDATE BRANDING REDRAWN NEW TEMPLATE;	4765

DRAWN BY: BLR	DATE: 7-29-14	CHK BJPU	SCALE NONE	SHT 1 OF 1	SIZE A
------------------	------------------	-------------	---------------	------------	-----------