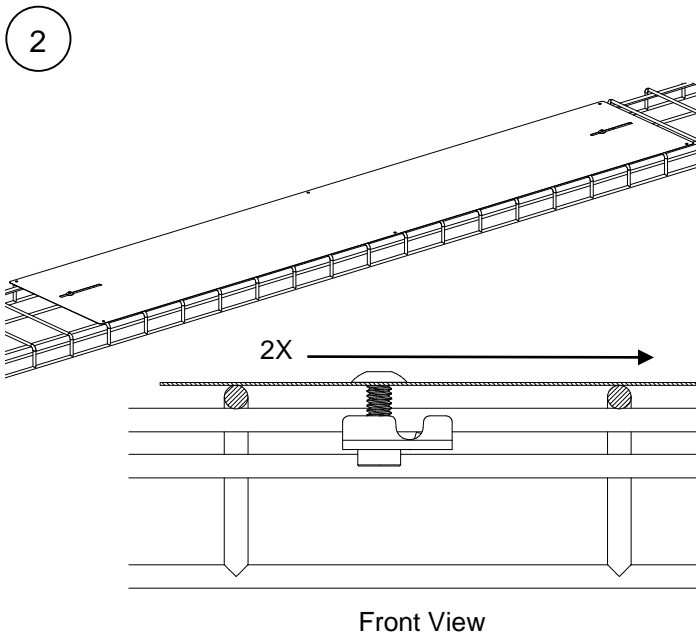
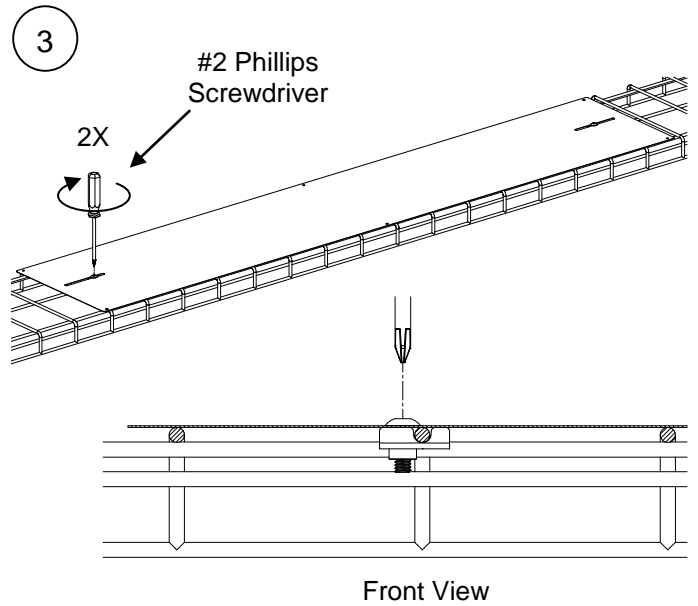


Loosely install 2 clips into the slots of the Tray liner and place onto Pathway.

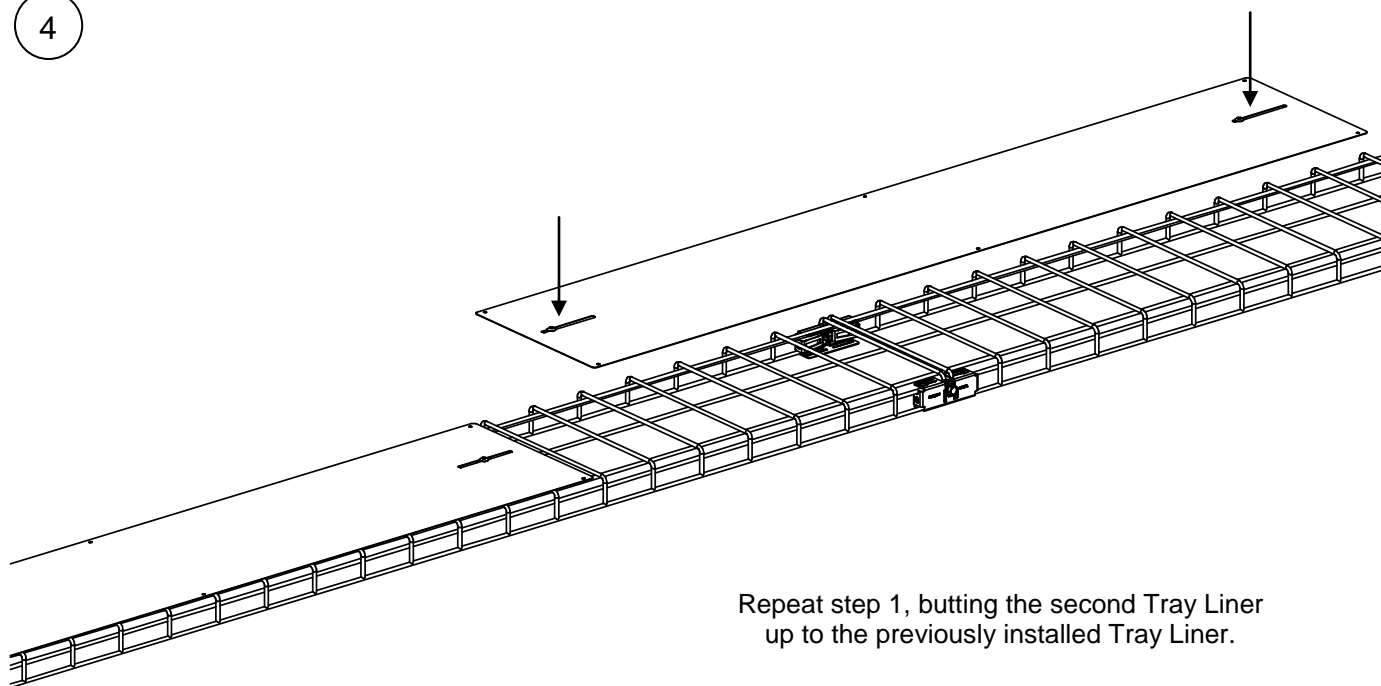


Slide the 2 clips onto the crosswires of the pathway.



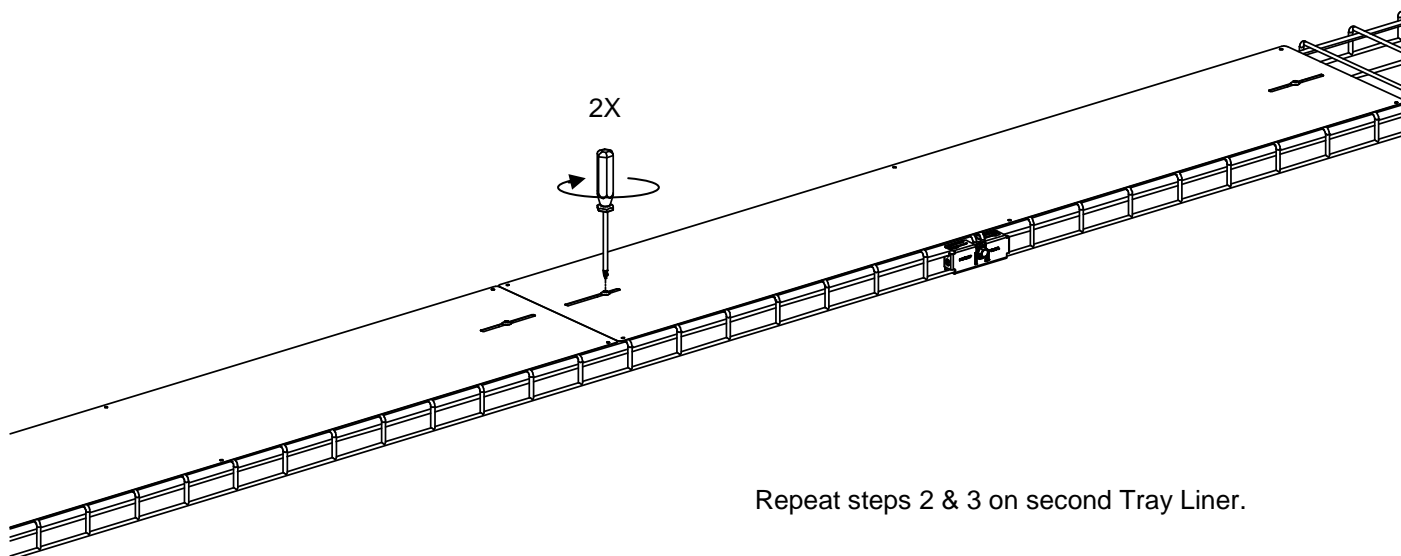
Tighten the screws to a torque of 5 ft/lbs to ensure effective bonding

4



Repeat step 1, butting the second Tray Liner up to the previously installed Tray Liner.

5



Repeat steps 2 & 3 on second Tray Liner.