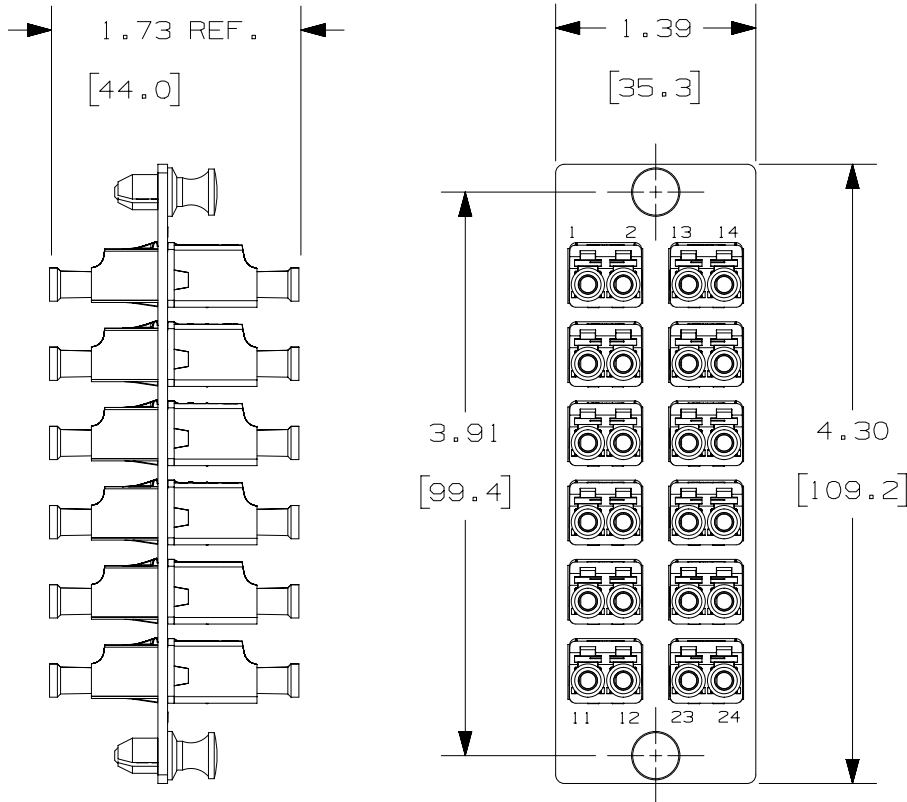


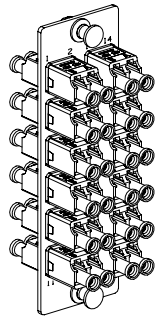
THIS COPY IS PROVIDED ON A RESTRICTED BASIS AND IS NOT TO BE USED IN ANY WAY DETRIMENTAL TO THE INTERESTS OF PANDUIT CORP.

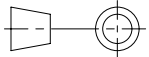


PANDUIT P/N	ADAPTER COLOR	SPLIT SLEEVE TYPE
FAP12WBUDLCZ	BLUE	ZIRCONIA
FAP12WAQDLCZ	AQUA	
FAP12WWDLCZ	LIME	
FAP12WAGDLCZ	APC GREEN	
FAP12WEIDLDCZ	ELECTRIC IVORY	

NOTES:

- SEE CURRENT CATALOG FOR PART NUMBER SUFFIXES TO INDICATE COLOR AND/OR PACKAGE QUANTITIES.
- SEE CATALOG FOR COMPLETE LIST OF PARTS APPLICABLE FOR USE WITH THIS PRODUCT.
- MATERIALS:
 - PLATE: C.R.S. POWDER COATED
 - ADAPTER: COMPOSITE, ELECTRIC IVORY, BLUE OR AQUA.
 - SPLIT SLEEVE: ZIRCONIA
- DIMENSIONS IN [] ARE METRIC.



PART NUMBER			FAP12W**DLCZ		
TITLE			12 POSITION DUPLEX LC FIBER ADAPTER PANEL		
			CUSTOMER DRAWING		
ITEM REVISION NAME			M01945AE/04		
DATASET FILE NAME			M01945AE_DC/04C		
			<p>UNLESS OTHERWISE SPECIFIED, DIMENSIONAL TOLERANCES ARE: IN (mm)</p> <p>.x ± .xxx ± .xx ± ANGLES ±</p> <p>THIRD ANGLE PROJECTION</p> 		
			MATERIAL:		
			DRAWING NUMBER:		
			01945-14		
DRAWN BY	DATE	CHK	SCALE		
MYW	04-21-05	TMS	NONE	SHT 1 OF 1	A

REV	DATE	BY	CHK	APR	DESCRIPTION	ECN
04C	4/23/19	JSP	WJM	AW	F. REMOVE PHOS-BRONZE PART NUMBERS.	01945-14
04B	08-29-18	SAT	JESA	AW	E. FAP12WWDLCZ COLOR WAS AQUA. D. ADDED P/N FAP12WAGDLCZ.	01945-14
04A	10-31-17	SAT	JGD	AW	C. ADDED P/N FAP12WWDLCZ.	01945-14

D10100DA/14