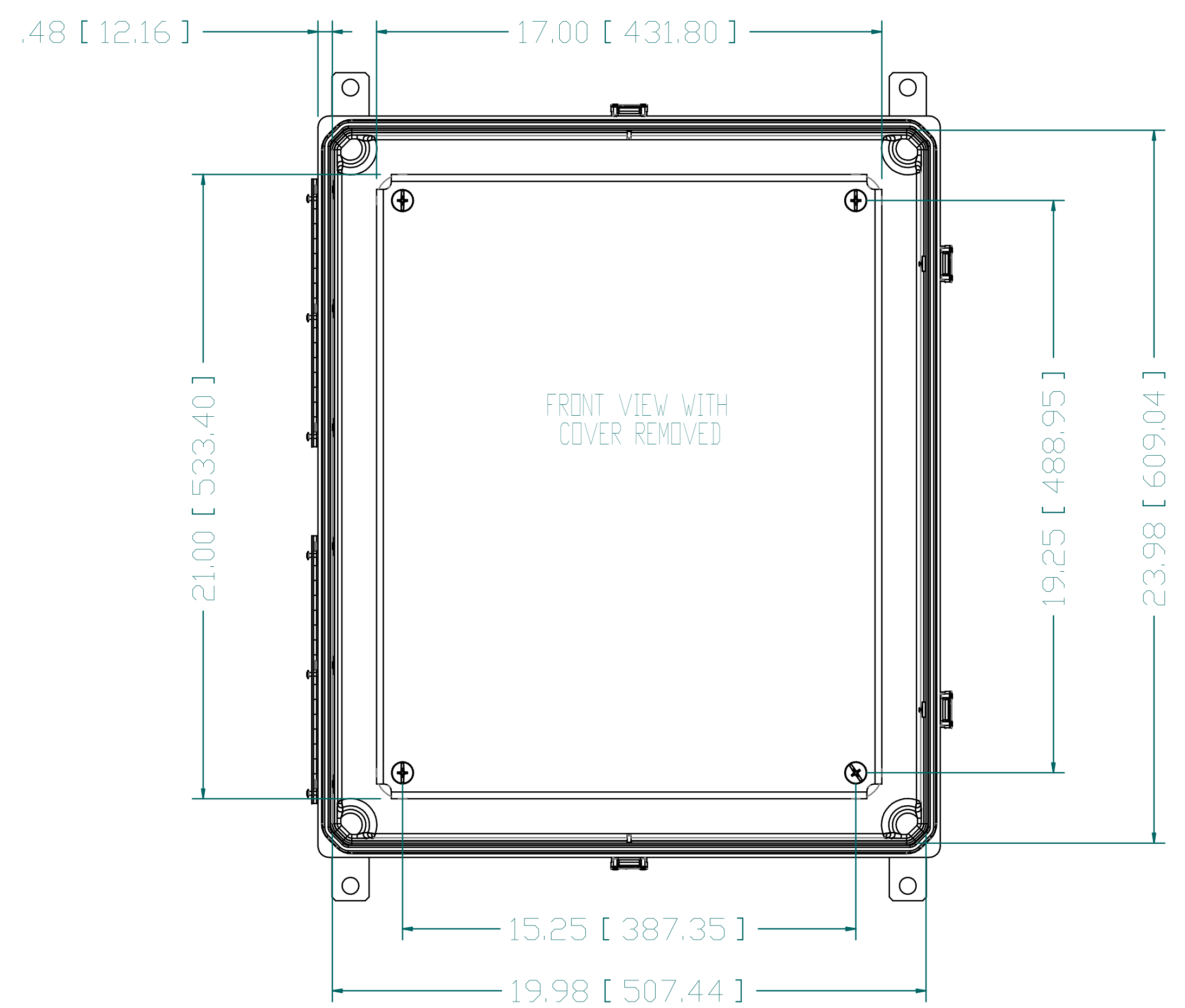


MATERIAL:
BOX- COMPRESSION MOLDED FIBERGLASS REINFORCED POLYESTER
COVER- COMPRESSION MOLDED FIBERGLASS REINFORCED POLYESTER
WINDOW- POLYCARBONATE



NOTE:
1. SATA SUBJECT TO CHANGE WITHOUT NOTICE



PART No. PJ242010RL
for more information visit
www.hamfmg.com
Data subject to change without notice
Drawing Not to Scale