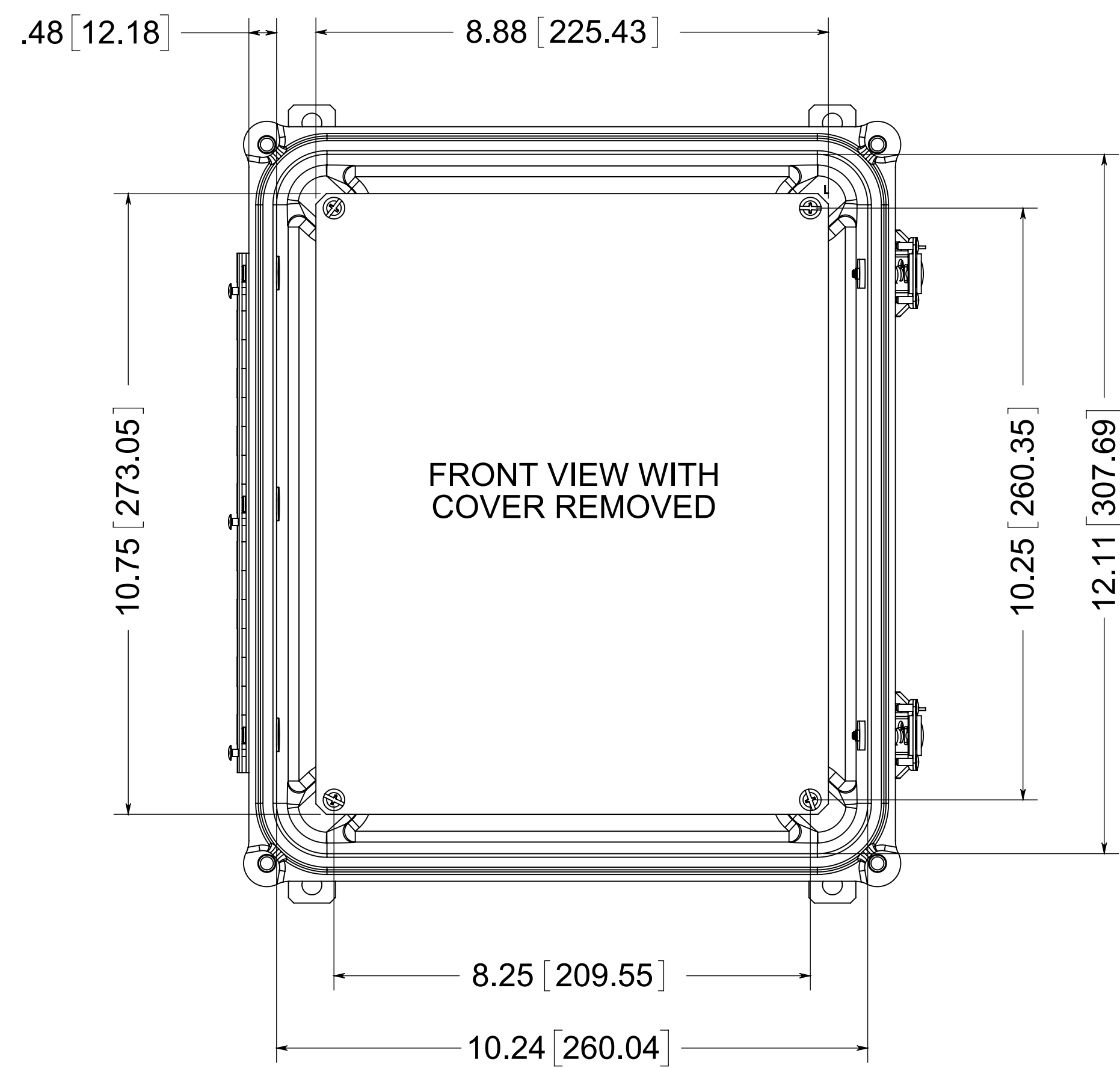
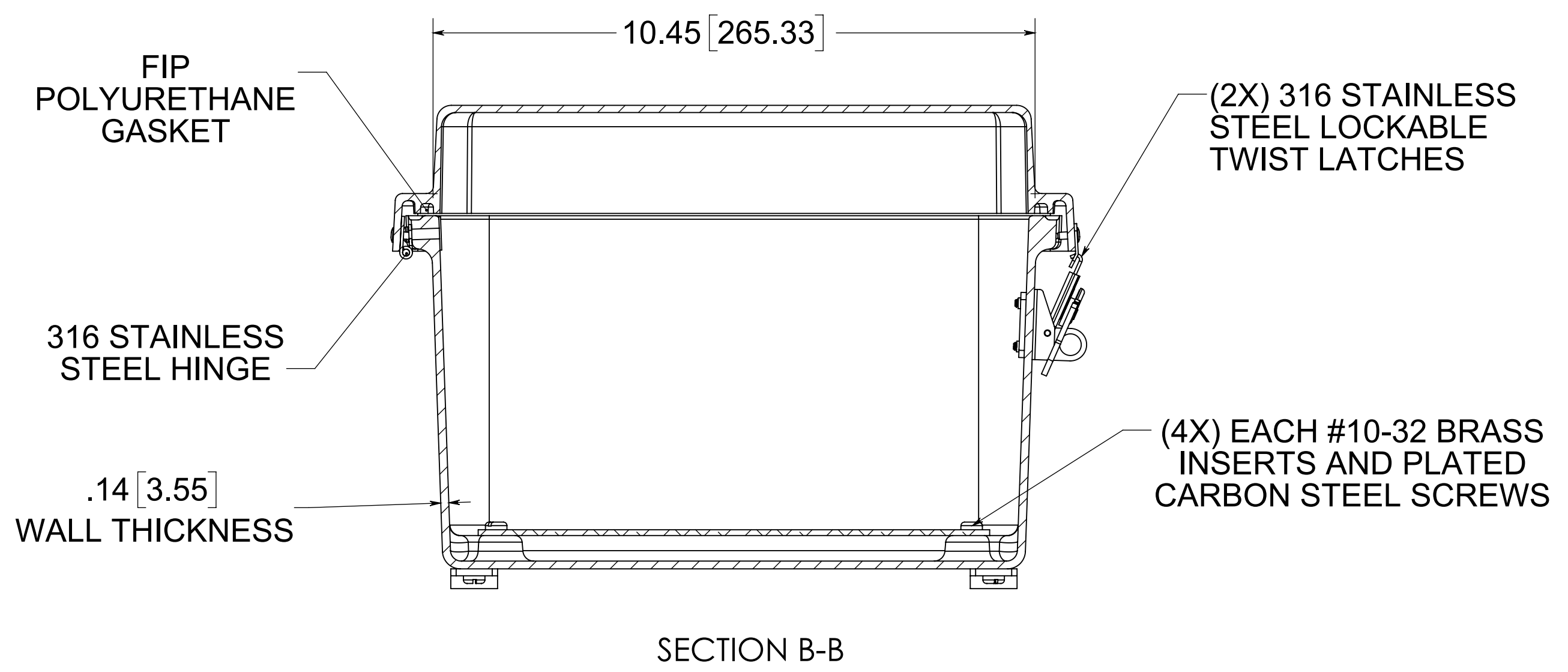
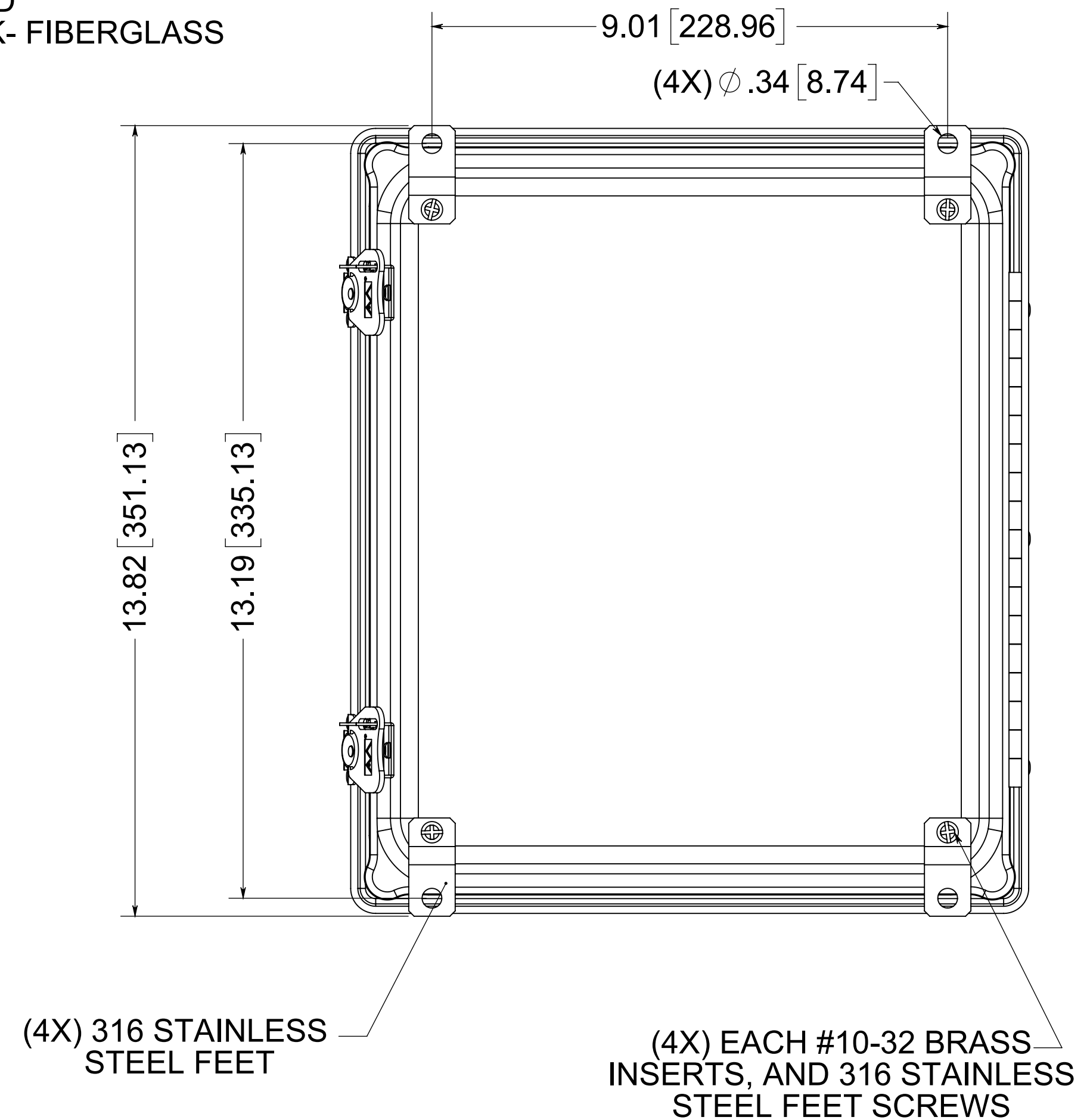


OPTIONAL BACK PANEL
 0.100 [2.54] TH'K- ALUMINUM
 0.075 [1.91] TH'K- WHITE STEEL &
 GALVANNEALED
 0.125 [3.18] TH'K- FIBERGLASS



MATERIAL
 BOX- COMPRESSION MOLDED FIBERGLASS REINFORCED POLYESTER
 COVER- COMPRESSION MOLDED FIBERGLASS REINFORCED POLYESTER
 WINDOWS- POLYCARBONATE

NOTES:
 1. DATA SUBJECT TO CHANGE WITHOUT NOTICE

PART No. PJ12106RT
 for more information visit
www.hammfg.com
 Data subject to change without notice
 Drawing Not to Scale