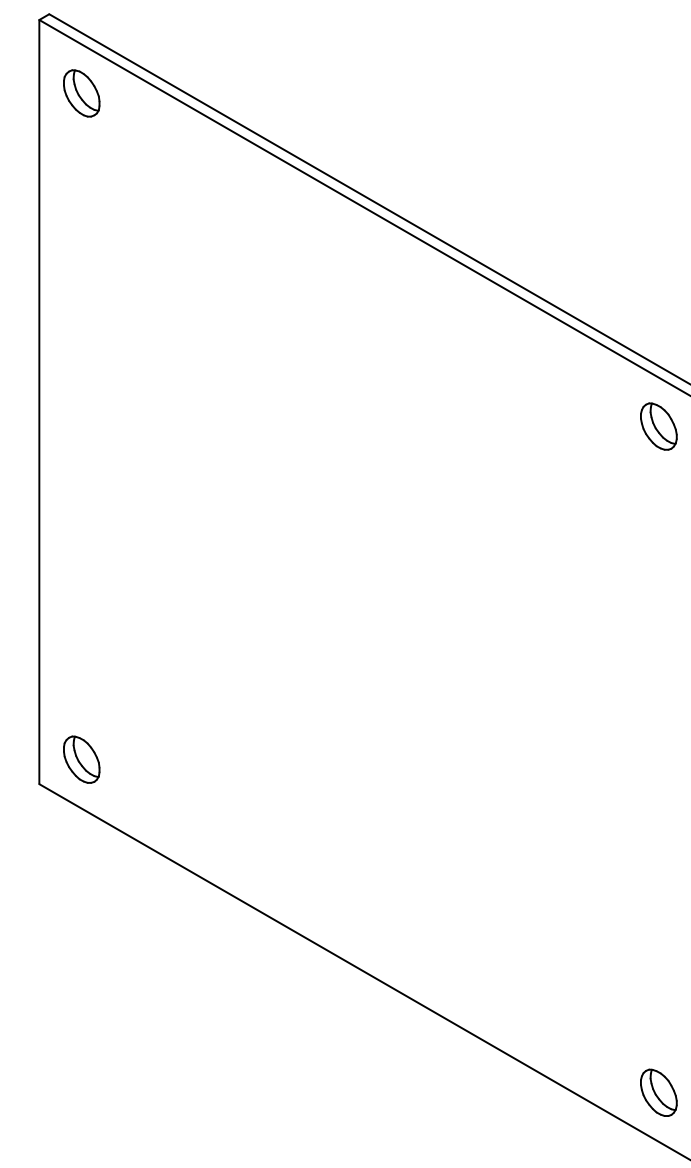
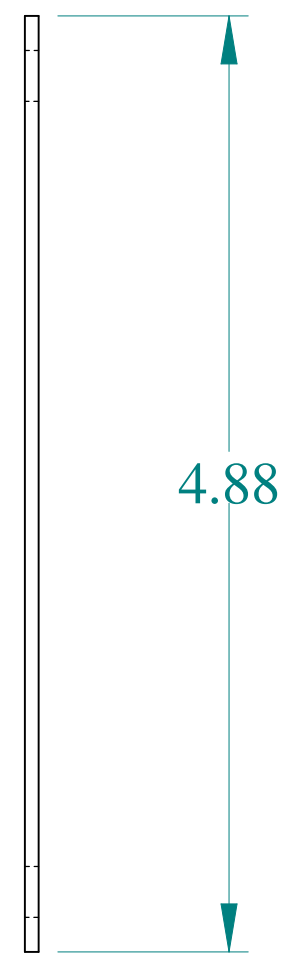


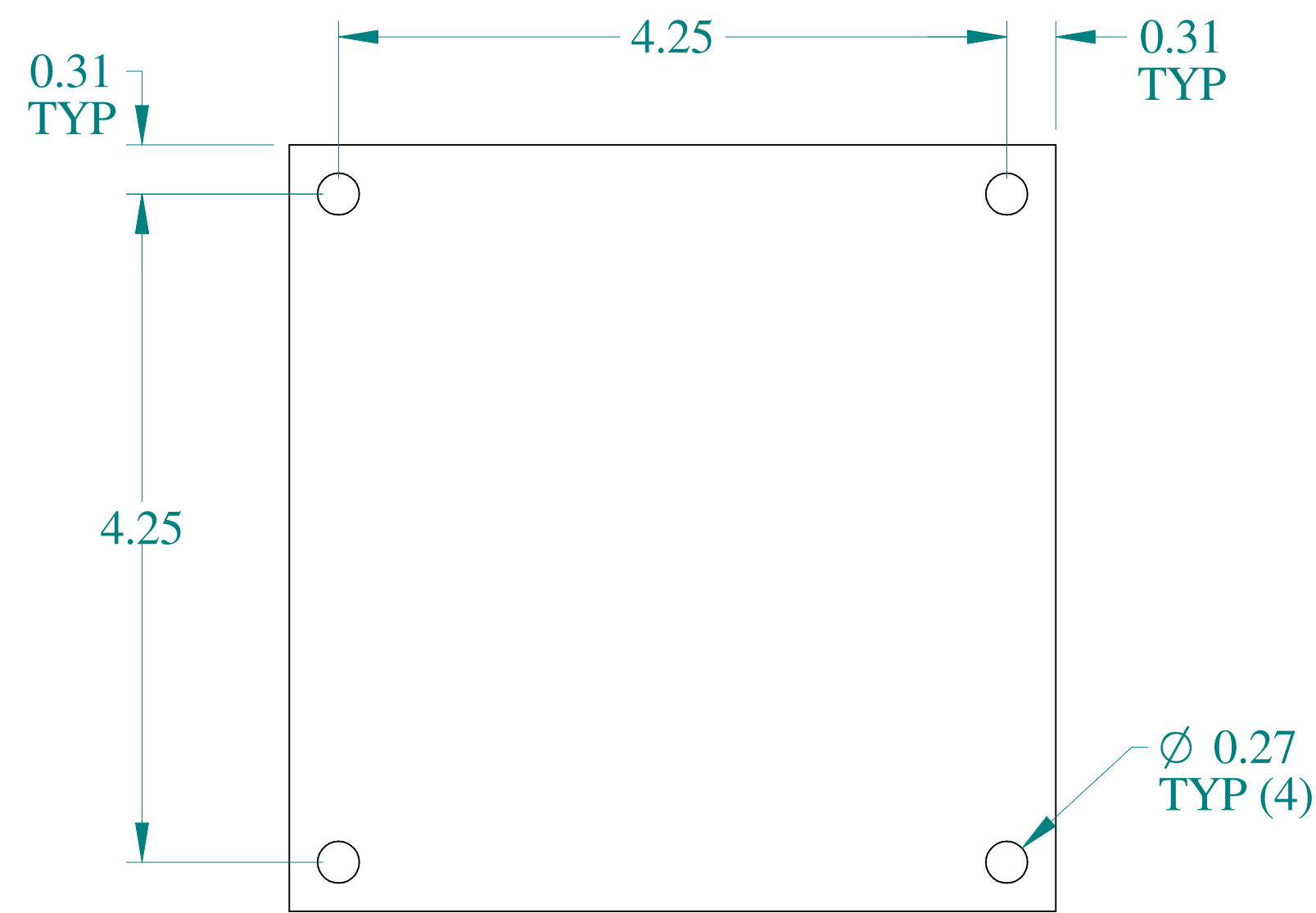
TOP VIEW



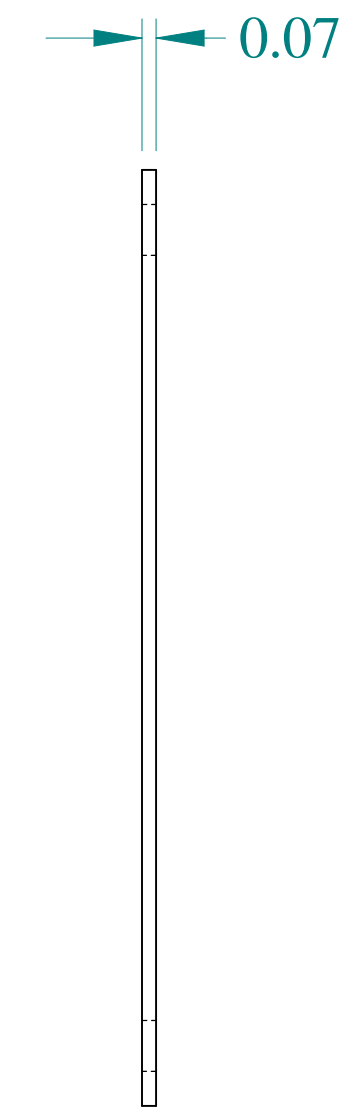
ISOMETRIC VIEW



SIDE VIEW



FRONT VIEW



SIDE VIEW



Data subject to change without notice.

Part # : 14R0505

Date : Jan. 31, 2020

[Link:www.hamfmg.com/14R0505](http://www.hamfmg.com/14R0505)