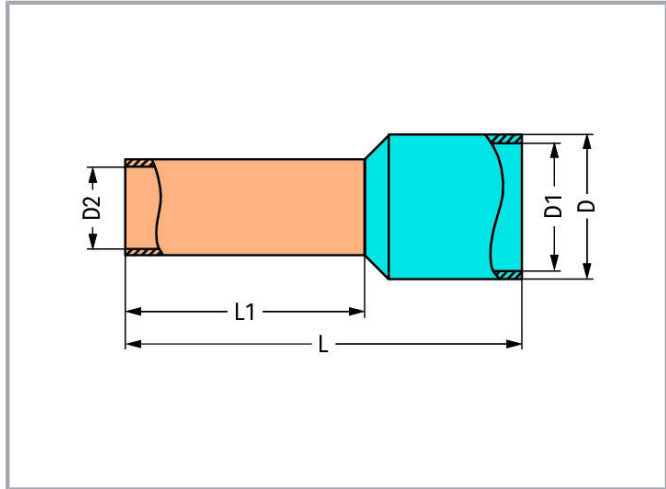


**Data sheet | Item number: 216-206**

Ferrule; Sleeve for 2.5 mm<sup>2</sup> / AWG 14; insulated; electro-tin plated; blue

[www.wago.com/216-206](http://www.wago.com/216-206)



Color: 

**Data**

**Technical data**

|                            |         |
|----------------------------|---------|
| Main product function      | Ferrule |
| Sleeve cross-section (AWG) | 14 AWG  |

Subject to changes. Please also observe the further product documentation!

WAGO GmbH & Co. KG  
Hansastr. 27  
32423 Minden  
Phone: +49571 887-0 | Fax: +49571 887-169  
Email: [info.de@wago.com](mailto:info.de@wago.com) | Web: [www.wago.com](http://www.wago.com)

Do you have any questions about our products?  
We are always happy to take your call at +49 (571) 887-44222.



|            |                     |
|------------|---------------------|
| Sleeve for | 2.5 mm <sup>2</sup> |
|------------|---------------------|

**Connection data**

|              |                   |
|--------------|-------------------|
| Strip length | 10 mm / 0.39 inch |
|--------------|-------------------|

**Physical data**

|        |       |
|--------|-------|
| Length | 15 mm |
|--------|-------|

|          |      |
|----------|------|
| Length 1 | 8 mm |
|----------|------|

|          |        |
|----------|--------|
| Diameter | 4.7 mm |
|----------|--------|

|            |        |
|------------|--------|
| Diameter 1 | 4.2 mm |
|------------|--------|

|            |        |
|------------|--------|
| Diameter 2 | 2.2 mm |
|------------|--------|

**Material data**

|       |      |
|-------|------|
| Color | blue |
|-------|------|

|           |          |
|-----------|----------|
| Fire load | 0.002 MJ |
|-----------|----------|

|        |       |
|--------|-------|
| Weight | 0.2 g |
|--------|-------|

**Commercial data**

|               |                                |
|---------------|--------------------------------|
| Product Group | 2 (Terminal Block Accessories) |
|---------------|--------------------------------|

|          |                  |
|----------|------------------|
| PU (SPU) | 1000 (100) Stück |
|----------|------------------|

|                |     |
|----------------|-----|
| Packaging type | box |
|----------------|-----|

|                                 |    |
|---------------------------------|----|
| Country of origin VKOrg Germany | DE |
|---------------------------------|----|

|      |               |
|------|---------------|
| GTIN | 4066966245042 |
|------|---------------|

|                                     |             |
|-------------------------------------|-------------|
| Customs tariff number VKOrg Germany | 85369010000 |
|-------------------------------------|-------------|

**Downloads****Documentation****Bid Text**

|                        |              |               |          |
|------------------------|--------------|---------------|----------|
| 216-206<br>X81 - Datei | Feb 19, 2019 | xml<br>2.9 kB | Download |
|------------------------|--------------|---------------|----------|

|                        |              |                |          |
|------------------------|--------------|----------------|----------|
| 216-206<br>doc - Datei | Sep 11, 2017 | doc<br>25.1 kB | Download |
|------------------------|--------------|----------------|----------|

**Installation Notes**

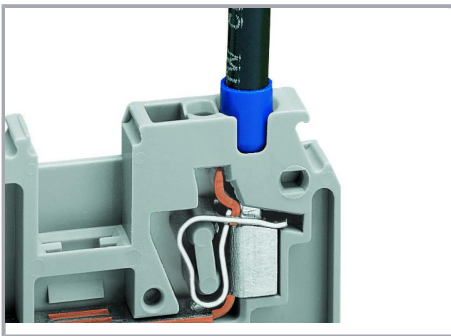
Subject to changes. Please also observe the further product documentation!

WAGO GmbH & Co. KG  
Hansastr. 27  
32423 Minden  
Phone: +49571 887-0 | Fax: +49571 887-169  
Email: [info.de@wago.com](mailto:info.de@wago.com) | Web: [www.wago.com](http://www.wago.com)

Do you have any questions about our products?  
We are always happy to take your call at +49 (571) 887-44222.



A perfect gas-tight crimp – both electrically and mechanically reliable



Using a 12 AWG conductor with ferrule (Item No. 216-206).

Subject to changes. Please also observe the further product documentation!