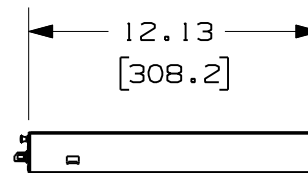
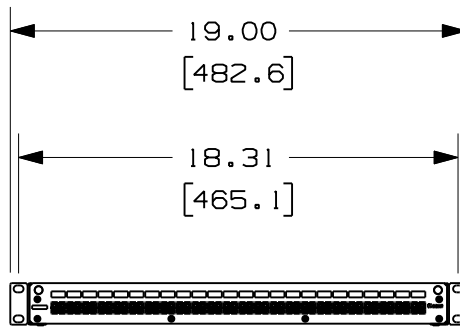
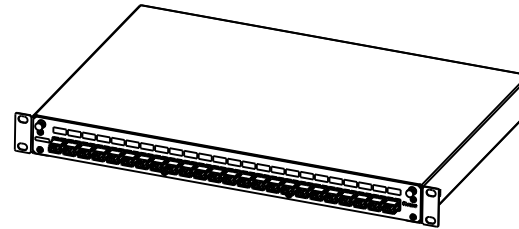
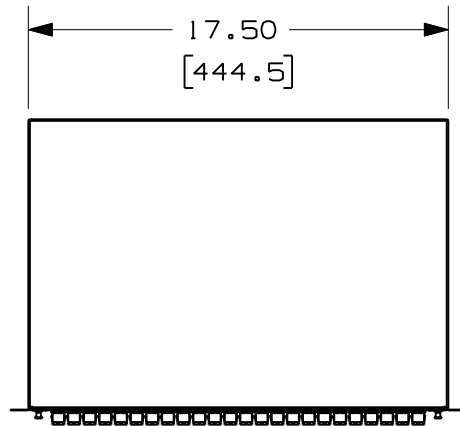


THIS COPY IS PROVIDED ON A RESTRICTED BASIS AND IS NOT TO BE USED IN ANY WAY DETRIMENTAL TO THE INTERESTS OF PANDUIT CORP.

PANDUIT P/N	WEIGHT
FD1W24E1DLC	6.5 LBS EACH (2948g EACH)



NOTES:

- SEE CURRENT CATALOG FOR ADDITIONAL PART NUMBER SUFFIXES TO INDICATE COLOR AND OR PACKAGE QUANTITY.
- SEE CATALOG FOR COMPLETE LIST OF PARTS APPLICABLE FOR USE WITH THIS PART.
- DIMENSIONS IN PARENTHESES ARE IN METRIC.
- PART INCLUDES:
 - 1- ENCLOSURE PRELOADED WITH (24) DUPLEX MULTIMODE LC ADAPTERS
 - 1- HARDWARE KIT CONTAINING:
 - 4- M6 x 15mm SCREWS (10029-01)
 - 4- #12-24 x 1/2" SCREWS (34466-22)
 - 2- FIBER SLACK SPOOL (RFMS1)
 - 1- 2 FIBER ENTRY GROMMETS (00466-02)
 - 1- PG-11 GLAND (00001-141)
 - 2- PAN-TY CABLE TIES (PLT2S-M0)
 - 1- FIBER CAUTION LABEL
 - 1- LASER WARNING LABEL

MODEL FILENAME V10431AC_FD1-24LC_00.prt

CAD FILENAME/LAYERS V10431AC_DC_00A.prt (1)

PANDUIT CORP. TINLEY PARK, ILLINOIS

FD1W24E1DLC FIBER DRAWER
CUSTOMER DRAWING

UNLESS OTHERWISE SPECIFIED,
DIMENSIONAL TOLERANCES ARE:
(.X) ± .03 (.XXX) ± .005
(.XX) ± .01 ANGLES ± 1°

UNLESS OTHERWISE SPECIFIED,
ALL DIMENSIONS ARE GIVEN
IN INCHES, THIRD ANGLE PROJECTION.

DRAWN BY RYB

MAT'L:

SCALE NONE

DATE 5/21/07

SEE NOTES

DRAWING NO.

10431-18

DWG
A
SIZE

00	5/21/07	RYB		RELEASED TO PRODUCTION	10431-18						
REV	DATE	BY	CHK	DESCRIPTION	ECN	R	CUST	SUP	OTH		