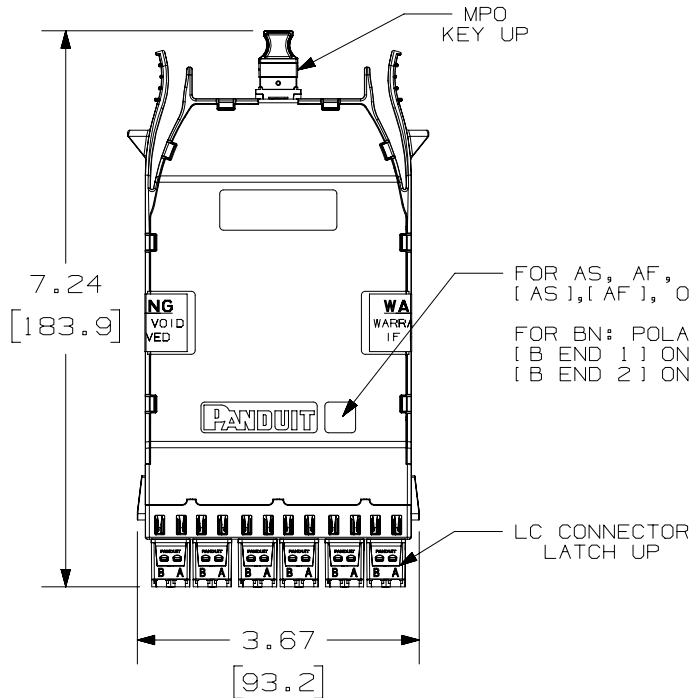
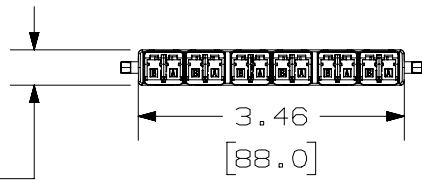


THIS COPY IS PROVIDED ON A RESTRICTED BASIS AND IS NOT TO BE USED IN ANY WAY DETRIMENTAL TO THE INTERESTS OF PANDUIT CORP.

FIBER POSITION 1 2 3 4 5 6 7 8 9 10 11 12

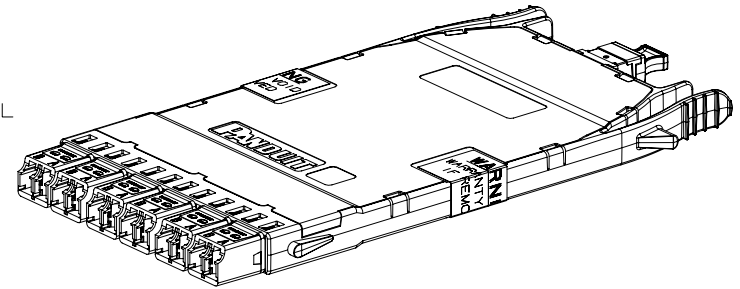


FIBER POSITION 1 2 3 4 5 6 7 8 9 10 11 12



NOTES:

1. PART NUMBERS: SEE SHEET 2 FOR ALL PART NUMBERS.
2. CASSETTE WEIGHT: 3oz (85g)



METHOD A 12F - CASSETTE (AS)												
MPO END / LC END	FIBER POSITION FROM MPO END TO LC END											
MPO	1	2	3	4	5	6	7	8	9	10	11	12
LC	1	2	3	4	5	6	7	8	9	10	11	12
METHOD A FLIPPED 12F - CASSETTE (AF)												
MPO END / LC END	FIBER POSITION FROM MPO END TO LC END											
MPO	1	2	3	4	5	6	7	8	9	10	11	12
LC	2	1	4	3	6	5	8	7	10	9	12	1
METHOD B 12F - CASSETTE (BN) WITH KEY UP/UP MPO ADAPTER												
MPO END / LC END	FIBER POSITION FROM MPO END TO LC END											
MPO	12	11	10	9	8	7	6	5	4	3	2	1
LC	1	2	3	4	5	6	7	8	9	10	11	12
UNIVERSAL 12F - CASSETTE (U)												
MPO END / LC END	FIBER POSITION FROM MPO END TO LC END											
MPO	1	12	2	11	3	10	4	9	5	8	6	7
LC	1	2	3	4	5	6	7	8	9	10	11	12

NOTE: BN CASSETTE HAS B END 1 AND B END 2 POLARITY LABELS

REV	DATE	BY	CHK	APR	DESCRIPTION	ECN
01E	05-22-19	SAT	DWW	EJH	E. ADDED LC/APC CASSETTES.	12F187HA-DC
01D	06-28-18	SAT	PJI	EJH	D. UPDATED NOTES. C. ADDED UNIVERSAL P/N's.	12F187HA-DC
01C	10-31-17	SAT	JGD	EJH	B. ADDED P/N's FHCWA-12-10AS, FHCWA-12-10AF & FHCWA-12-10BN.	12F187HA-DC
2	5/18/15	JSP	JAWI	RAR	A. ADDED WIRE CHART.	12F187HA-DC
1	02-09-15	SAT	JESA	RAR	RELEASED TO PRODUCTION	12F187HA-DC

TITLE HD FLEX 12 FIBER LC - MPO CASSETTE					
CUSTOMER DRAWING					
ITEM REVISION NAME 12F187HA/01			PANDUIT		
DATASET FILE NAME 12F187HA_DC/01E					
UNLESS OTHERWISE SPECIFIED, DIMENSIONAL TOLERANCES ARE: IN [mm]					
.x ± .1 [2.54]		.xxx ± .005 [0.127]			
.xx ± .01 [0.25]		ANGLES ± 5 °			
DRAWN BY SAT			DATE 01-22-15		CHK JESA
SCALE NONE			DRAWING NUMBER: 12F187HA-DC		
SHT 1 OF 2			SIZE A		

