

REV	DATE	DESCRIPTION	ECO	BY	CHK.
G	2019-06-10 01:00:00 EDT	UPDATED AS PER MW	51578	YR	WP

CATALOG NUMBER	STRANDED COPPER CONDUCTOR ACCOMMODATED			BOLT SIZE	METRIC BOLT SIZE	DIMENSIONS							
	CODE (AWG)	NAVY	METRIC SIZE (CLASS 2)			B	C	K DIA.	L	N	O.D.	T REF.	Z MIN.
YA41	850 kcmil	-----	-----	5/8	M16	2.94 (75)	2.01 (51)	.69 [17]	5.26 (134)	.66 [17]	1.38 (35)	.31 (8)	.67 [17]
YA41N				1/2	M12	2.94 (75)	2.01 (51)	.56 [14]	5.20 (132)	.63 [16]	1.38 (35)	.31 (8)	.64 [16]
YA44	1000 kcmil	-----	-----	5/8	M16	3.00 (76)	2.19 (56)	.69 [17]	5.45 (138)	.66 [17]	1.50 (38)	.33 (8)	.67 [17]
YA44N				1/2	M12	3.00 (76)	2.19 (56)	.56 [14]	5.38 (137)	.63 [16]	1.50 (38)	.33 (8)	.64 [16]
YA45	1250 kcmil	-----	-----	3/4	-----	3.19 (81)	2.46 (68)	.81 [21]	5.93 (151)	.75 [19]	1.69 (43)	.38 (10)	.77 [19]
YA45-N				1/2	M12	3.19 (81)	2.46 (68)	.56 [14]	5.68 (144)	.63 [16]	1.69 (43)	.38 (10)	.64 [16]
YA45G1				5/8	M16	3.19 (81)	2.46 (68)	.69 [17]	6.68 (170)	1.16 [29]	1.69 (43)	.38 (10)	1.16 [29]
YA45G4				3/4	-----	3.19 (81)	2.46 (68)	.81 [21]	6.68 (170)	1.16 [29]	1.69 (43)	.38 (10)	1.16 [29]

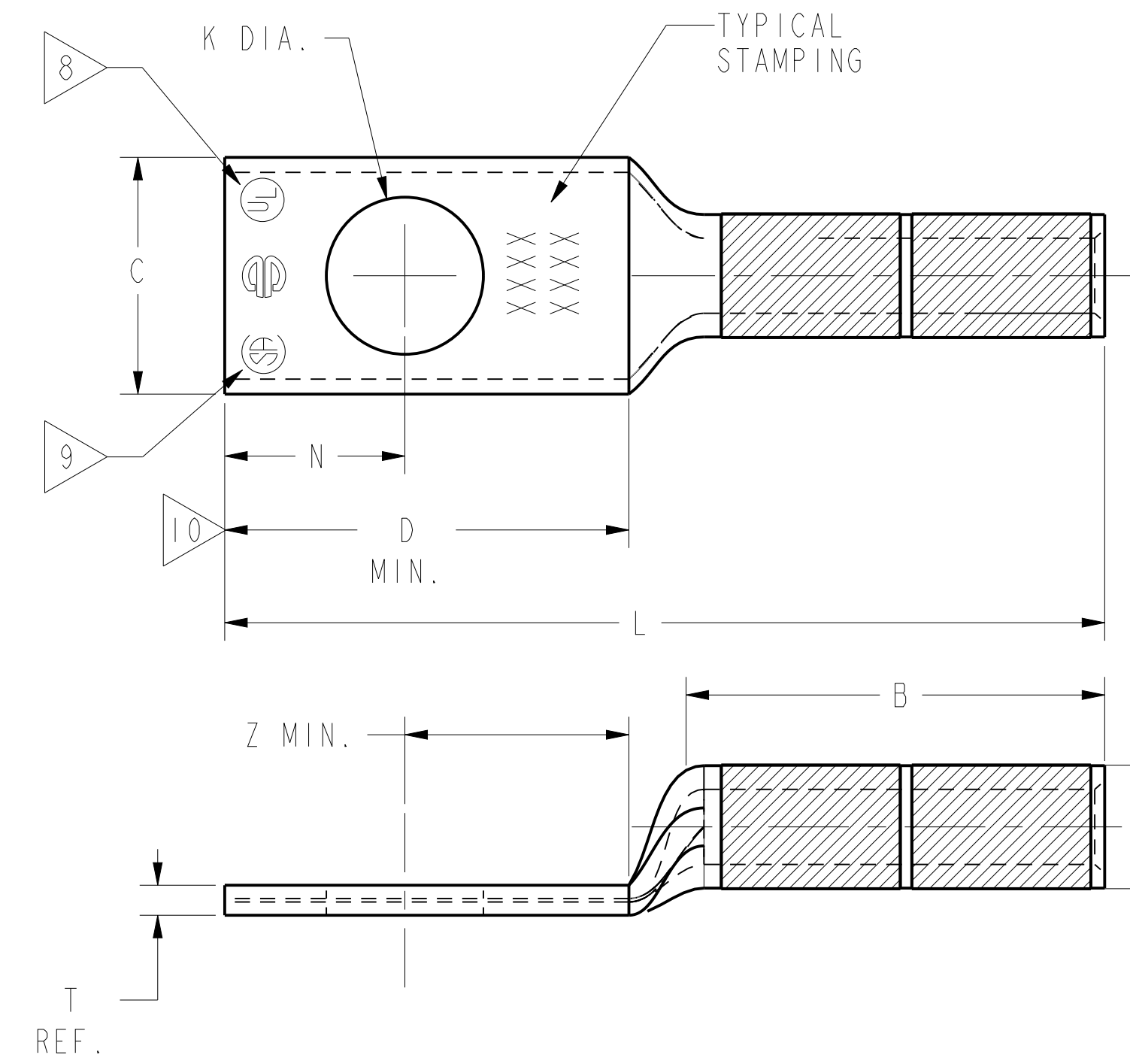
CONNECTOR SIZE	TOLERANCES					
	B	C	K DIA.	L	N	O.D.
-8C THRU -25	±.06	+ .04 - .02	±.02	±.09	±.03	±.01
-26 THRU -34	±.08	+ .04 - .06	±.02	±.12	±.03	±.01
-35 AND UP	±.09	±.06	±.02	±.15	±.06	±.01

TOLERANCE BLOCK

INSTALLATION TOOLING (# CRIMPS)																	
CATALOG NO.	COLOR CODE	DIE INFORMATION		MECHANICAL				HYDRAULIC						DIELESS (# CRIMPS)	WIRE STRIP LENGTH		
		DIE INDEX	TYPE	YIMRTC	OUR840	MD6 MD7	MD6--R2 MD7-34R	PATMD6 PAT600 Y500CT	Y34A Y34B Y34BH	Y35, Y39 Y750, PAT750	Y46, PAT46	Y45	Y48B			Y60BHU	
YA41 YA41N	GOLD	26	GOLD DIE SET	-----	-----	-----	-----	-----	-----	-----	-----	-----	-----	-----	-----	HYDRAULIC: PAT81KFT(4) Y81KFT(4) PAT4PC834(4) Y4PC834(4) PAT644(1) Y644(1)	3"
			NEST INDENTOR	-----	-----	-----	-----	-----	-----	-----	-----	-----	-----	-----			
YA44 YA44N	WHITE	27	WHITE DIE SET	-----	-----	-----	-----	-----	-----	-----	-----	-----	-----	-----	-----	3-1/16"	
			NEST INDENTOR	-----	-----	-----	-----	-----	-----	-----	-----	-----	-----	-----			
YA45 YA45N YA45G1 YA45G4	YELLOW	29	YELLOW DIE SET	-----	-----	-----	-----	-----	-----	-----	-----	-----	-----	-----	-----	3-1/4"	
			NEST INDENTOR	-----	-----	-----	-----	-----	-----	-----	-----	-----	-----	-----			

NOTES:

- MATERIAL : COPPER TUBING.
- FINISH: ELECTRO-TIN PLATED.
- CATALOG # PT6515 ADAPTOR IS REQUIRED TO USE "U" DIES IN Y45 SERIES TOOLS.
- CATALOG # PUADP-1 ADAPTOR IS REQUIRED TO USE "U" DIES IN Y46 SERIES TOOLS.
- PERMANENT DIE IN TOOLING.
- DIMENSIONS IN BRACKETS [] ARE IN MILLIMETERS ROUNDED OFF TO THE NEAREST MILLIMETER, UNLESS OTHERWISE NOTED, AND ARE FOR REFERENCE ONLY.
- FOR USE BY CUSTOMERS THAT HAVE THIS HYPRESS™. NO NEW Y34A HYPRESSES™ ARE BEING PROCESSED. Y34A USES A--D TYPE NEST DIES.
- CONNECTORS ARE UL LISTED; UNDRILLED VERSIONS ARE NOT UL LISTED.
- CONNECTORS ARE CSA CERTIFIED; UNDRILLED VERSIONS ARE NOT CSA CERTIFIED.
- FOR UNDRILLED VERSIONS ADD SUFFIX "U" TO END OF CATALOG NUMBER. FOR UNDRILLED VERSIONS USE D MIN. = N MAX. + Z MIN.
- "X", "W-RT", "W-VT", "U", & "L" DIE SETS ARE COLOR CODED. "A", "B", AND "C" DIES ARE NOT COLOR CODED. NESTS AND INDENTOR TYPE ARE NOT COLOR CODED.



REFERENCE: SD17179 (YA-2, YA-4) SE209241

TO ORDER BURNDY® PRODUCTS CALL
 UNITED STATES
 1-800-346-4175 (LONDONDERRY, NH)
 CANADA:
 1-800-361-6975 (QUEBEC)
 1-800-387-6487 (ALL OTHER PROVINCES)
 FOR PRODUCT INFO: <http://www.burndy.com>

ITEM NO: --		DRAWING NO	
CAT. NO: YA-, YA-N, YA-TC-		SD079849	
DRAWN BY: J. MICHAUD 08/22/94		REV	
CHECKER: D. FILLION 08/22/94		G	
DSN APPVL: C. PALAGI 08/25/08		SCALE: NTS	
MFG APPVL: N/A --		SHEET 9 OF 10	
QC APPVL: C. ACKERMAN 09/09/94			
MKT APPVL: T. NELSON 09/07/94			
PROD FAM: --			
PROJECT #: FPN1702013			
DOCUMENT TYPE: Sales			
REL LEVEL: Released			

REV: PEO200