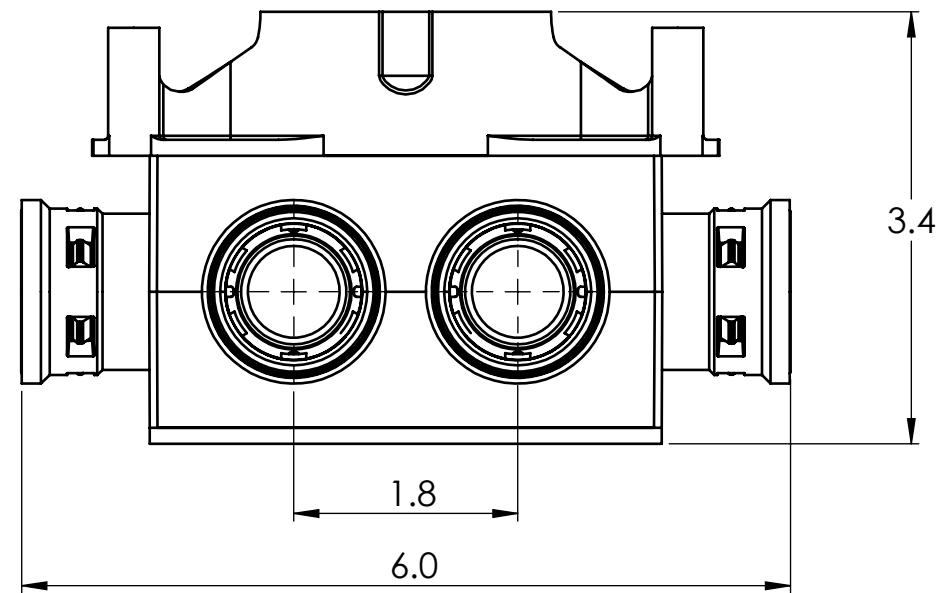
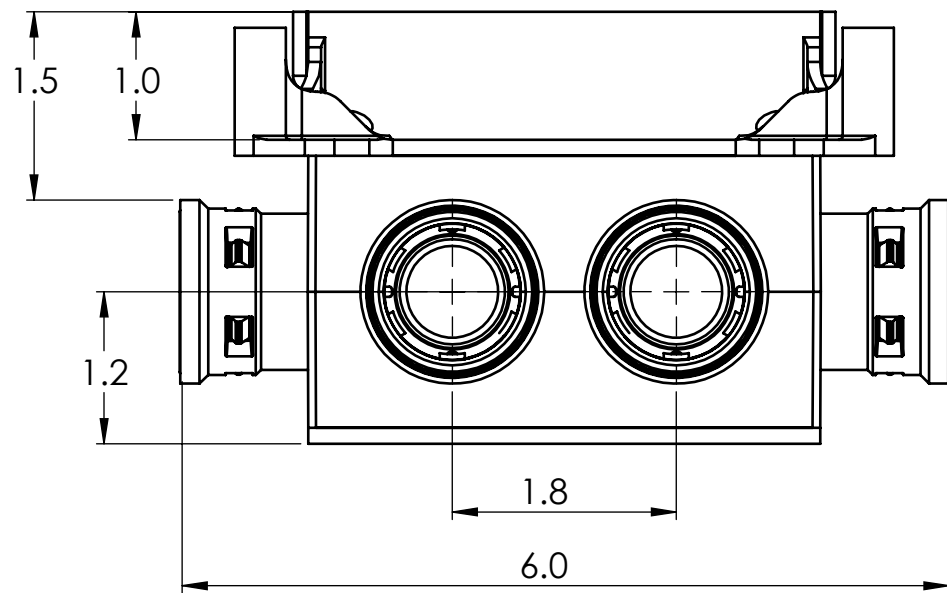
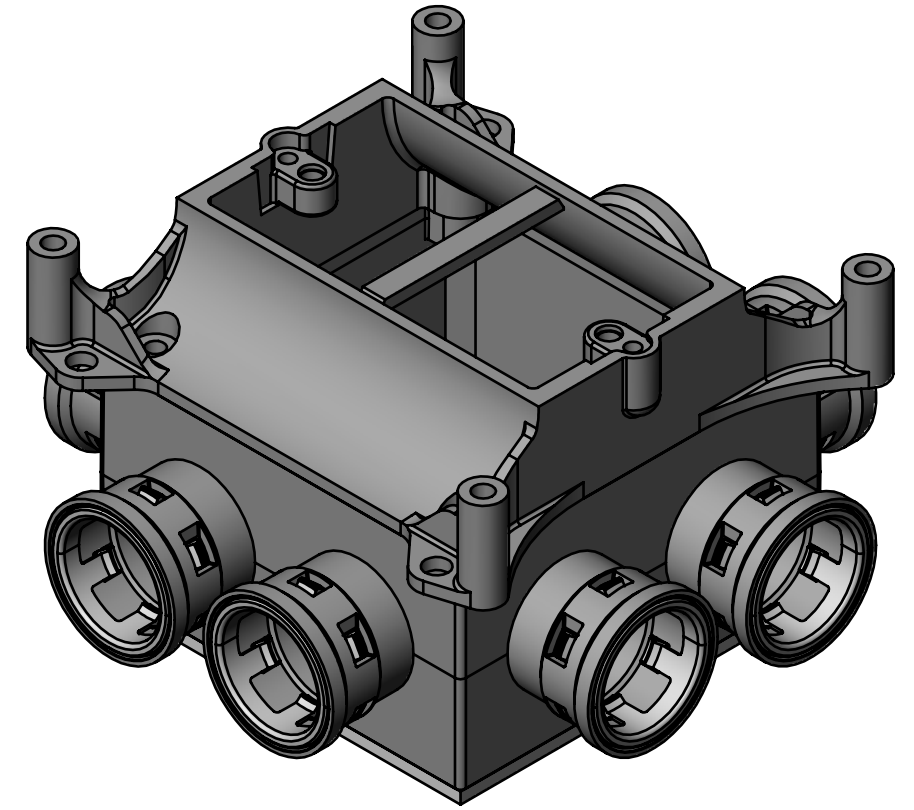


8 x 3/4" Retainer Hub



PLASTIC/RUBBER SIZES

SIZES SHOWN ARE FOR REFERENCE 3D MODEL IS TO BE USED FOR MANUFACTURING / VERIFICATION				ALL CHANGES MUST BE APPROVED AND RECORDED BY ENGINEERING							
UNIT: INCHES UNLESS DUAL DIMENSION: INCH [METRIC]		PROJECTION 		<b>IPEX Technologies Inc.</b>							
THIS DRAWING AND ALL TECHNICAL INFORMATION APPEARING HEREON ARE PROPERTY OF IPEX TECHNOLOGIES INC. AND MUST BE KEPT IN CONFIDENCE BY THE RECIPIENT. THE SAME MAY NOT BE USED OR REPRODUCED EITHER IN WHOLE OR IN PART WITHOUT THE EXPRESS CONSENT OF IPEX TECHNOLOGIES INC.				TITLE SVDB-H-15 PVC SLAB BOX GREY KWIKON							
PART APPEARANCE:		COLOR:		PAPER SIZE ANSI B		NAME		DATE		SCALE: NA	
SURFACE FINISHES: (UNLESS OTHERWISE NOTED)		INSIDE:		OUTSIDE:		OTHER:		DRAWN		02/09/2020	
DIMENSIONS ARE IN INCHES TOLERANCES (UNLESS OTHERWISE SPECIFIED) FRACTIONAL ± 1/32 .XX ± 0.015 .XXX ± 0.010 .XXXX ± 0.005 ANGULAR ± 1.0				CRITICAL DIMENSIONS ARE SHOWN AS **.XX**		REFERENCE DIMENSIONS ARE SHOWN WITH REF. NOTE		PRODUCT CODE: 089065		PROJECT No.	
FILENAME:				FOLDER:							