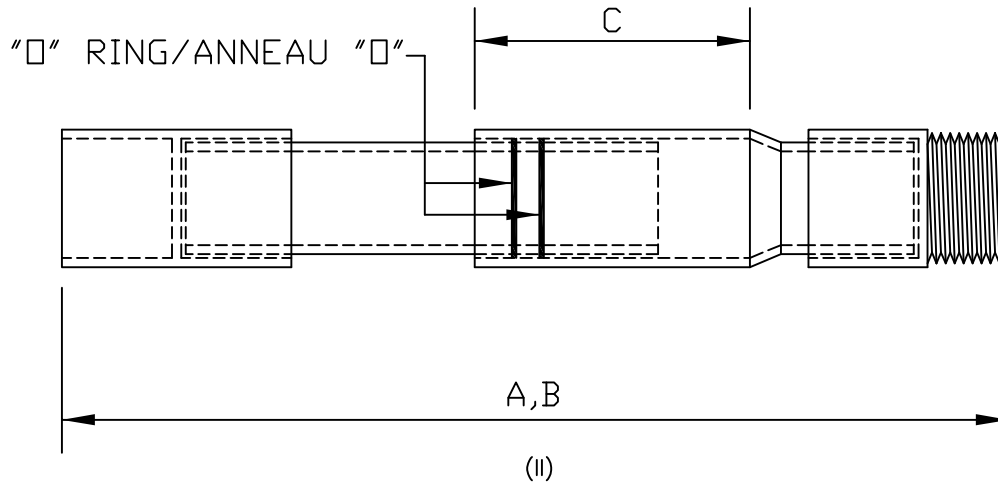
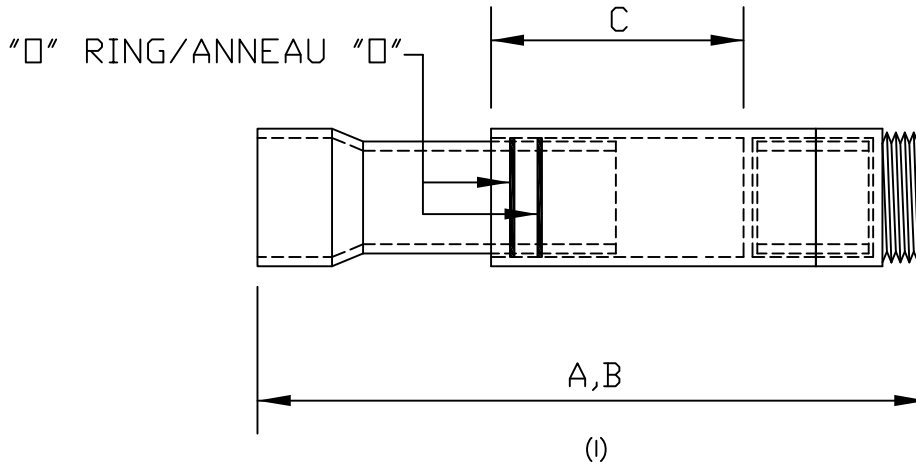


RIGID PVC CONDUIT  
CONDUIT RIGIDE EN PVC

EXPANSION JOINT / JOINT EXPANSION



CODE	Size Grosueur	A (SHORTEST) Ref.	B (LONGEST) Ref.	C Ref.
077680 (I)	50mm (2.0")	289mm (11.375")	391mm (15.375")	165mm (6.5")
076631 CT (II) 077398	63mm (2.5")	591mm (23.25")	826mm (32.50")	368mm (14.50")
077681 (I) 077593 (I)	75mm (3.0")	445mm (17.50")	559mm (22.0")	254mm (10.0")
077402 (II)	78mm (3.0")	591mm (23.25")	826mm (32.50")	368mm (14.50")
077682 (I)	100mm (4.0")	584mm (23.00")	787mm (31.00")	260mm (10.25")
077403 (II)	129mm (5.0")	591mm (23.25")	826mm (32.50")	368mm (14.50")