

Mounted Zone Cabling Enclosures and Brackets

Wall Mounted Bracket

Wall Mounted Bracket with Bottom Hinge

HUBBELL

Features

- Bottom hinging allows flip down access to rear of components
- Multiple cable management tie-off points
- Jumbo openings in the rear allow for cable routing

Ordering Information

Rack Units	Depth	UPC Number	Catalog Number
1	4"	662620807676	HPWWB1U4



Listings

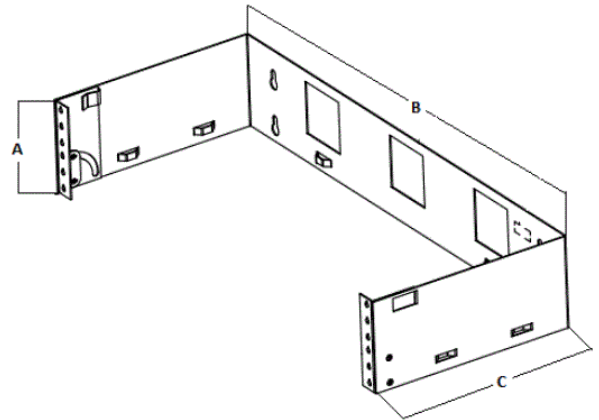
EIA/ECA-310-E Universal Mounting Pattern

Specifications

Material	Cold rolled steel
Gauge	16
Finish	Black powder coat
Mount	#12-24 Threaded

Characteristics

Access	Bottom Hinged
Load Capacity	25 lb
Rack Units	1



Complementary Products

Black Velcro Roll	HVFBK575
9" Velco Strips, Yellow	MCCMV9YL10
#12-24 Screws	1224RRSCRW20

Dimensions- inches (mm)

A	1.75" (44)
B	19.1" (485)
C	4" (102)

Online Resources

eCatalog

Dimensions in Inches (mm)

Hubbell Wiring Device-Kellems • Hubbell Incorporated (Delaware) • 40 Waterview Drive • Shelton, CT 06484

Phone (800) 288-6000 • Fax (800) 255-1031 • Specifications subject to change without notice.

