

netSELECT

Network Modules

## Panel Bracket Adapter

### Features

- For Use With Adapter Panels And FSP Series Modules
- Snap Mounts Into Structured Cabling Enclosures

### Ordering Information

Description	Color	UPC Number	CatalogNumber
Panel Bracket Adapter	Black	883778502774	NSOFSB

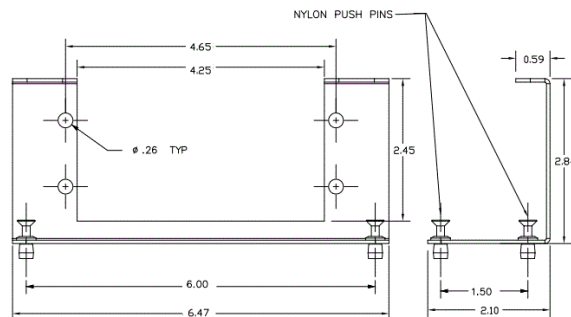


### Listings

UL and cUL Listed  
RoHS Compliant

### Specifications

Material	High Impact Thermoplastic UL 94 V-0
Termination Pinout	TIA 568A Wired
Units	1



### Complementary Products

Keystone 6-Pack Adapter	FSPHD6X
F-Connector 6-Pack Adapter	FSPFP6X

### Online Resources

Customer Use Drawing  
eCatalog

Dimensions in Inches (mm)

Hubbell Wiring Device-Kellems • Hubbell Incorporated (Delaware) • 40 Waterview Drive • Shelton, CT 06484

Phone (800) 288-6000 • Fax (800) 255-1031 • Specifications subject to change without notice.

# HUBBELL

