

## Instructions

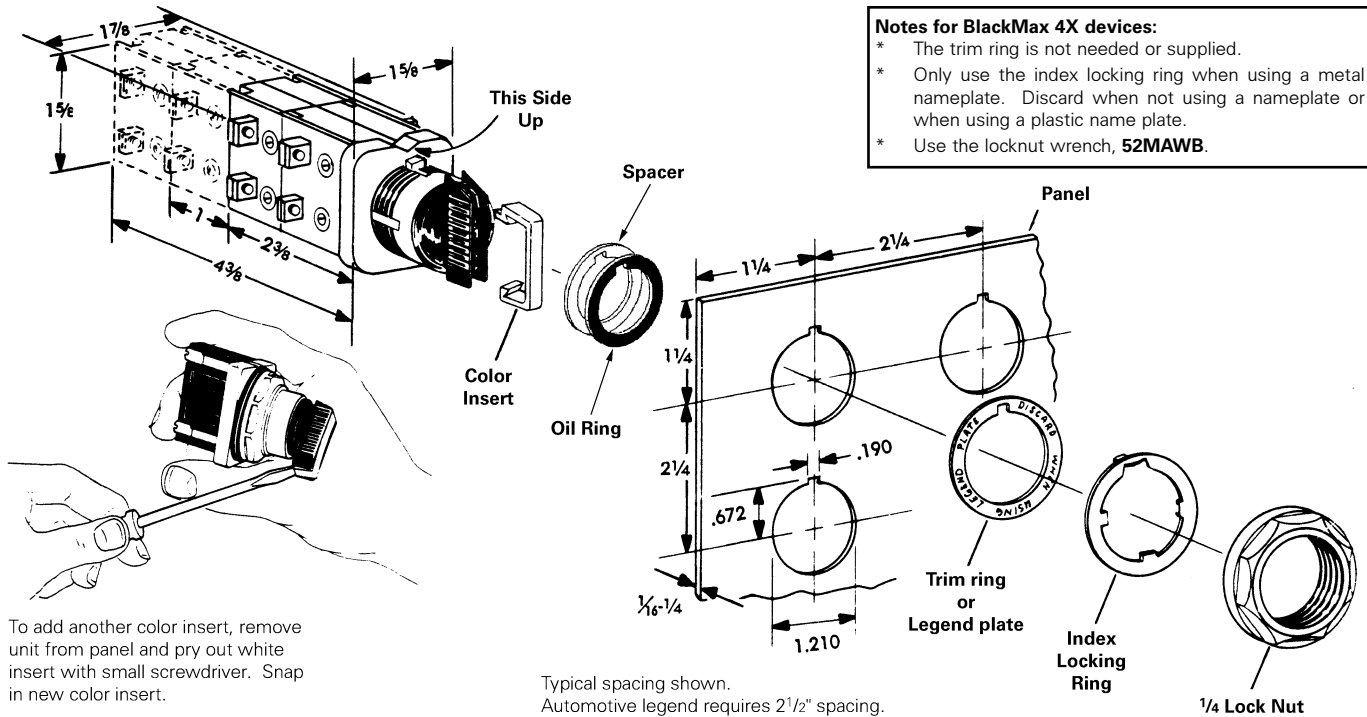
52-HSA2

April, 2001  
Supersedes Issue of  
July, 2000

When installed as indicated, these operators are suitable for use in Type 1, 3, 3R, 4, 12, or 13 enclosures.

Black Max (52PX) suitable for Type 4X enclosures.

Selector Operator  
Class 52  
Cat. No. 52SA2, 52SB2  
52SX2 & 52SW2



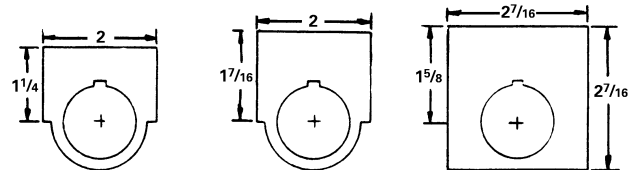
**Notes for BlackMax 4X devices:**  
 \* The trim ring is not needed or supplied.  
 \* Only use the index locking ring when using a metal nameplate. Discard when not using a nameplate or when using a plastic name plate.  
 \* Use the locknut wrench, **52MAWB**.

To add another color insert, remove unit from panel and pry out white insert with small screwdriver. Snap in new color insert.

Typical spacing shown.  
Automotive legend requires 2 1/2" spacing.

	<b>WARNING</b>
	<p><b>Hazardous voltage.</b> Can cause death, serious personal injury, or property damage.</p> <p>To avoid electrical shock, turn off electrical power to controls before performing installation maintenance.</p>

### LEGEND PLATES



### INSTALLATION

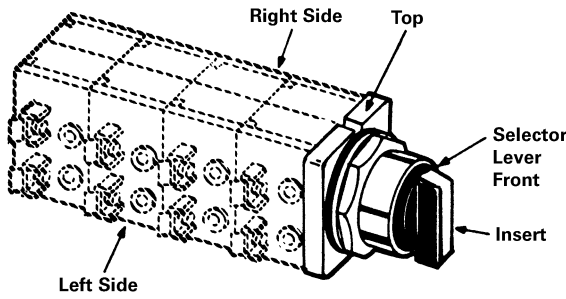
Unit are assembled as shown.

1. Position and press in color insert if required.
2. Assemble oil ring.
3. Mount unit on panel as shown in the illustration.
- 4.\* Position trim ring or legend plate (trim ring is discarded when legend plate is used).
- 5.\* Position index locking ring on unit as shown in illustration.
6. Assemble and tighten lock nut to 15 ft. lbs.

\* Trim ring not used on black 4X devices.

\* Locking ring not needed with plastic legend plates.

(For Engineering Reference Only - Rev. F)



**Lever or Key Operator**

Selector Position	Lever Position X indicates contact closed			Cam Ltr	Contact Block	
	Left	Right	Left		Right	
<b>2</b>	X			A	52BAJ	L or R
		X			52BAK	L or R
	Illuminated					
	X		X	A	52BAJ	L
<b>3</b>	X			B	52BAK	R
			X		52BAK	L
	X	X			52BAJ	L
		X	X		52BAJ	R
	X			C	52BAJ	L or R
			X		52BAK	L or R
		X		D	52BAJ	L or R
			X		52BAK	L or R
	X			E	52BAK	L or R
		X			52BAJ	L or R
	X			G	52BAJ	L
		X			52BAJ	R
		X		52BAK	L or R	
<b>4</b>	Illuminated					
	X			C/B	52BAJ	L
			X		52BAK	L
		X		C/B	52BAK	R
	X		X		52BAJ	R

**Contact and Cam Selection**

- Under Selector Position find the selector operation required (2, 3, or 4 positions).
- Select the contact operation required for each selector Lever Position (X indicates when contacts are closed).
- The Cam Letter column identifies the cam of the selector operator.
- Contact block must be assembled in position shown for each circuit application.
- Cam D, E,, or G may be ordered at the same price by changing the 6th character of the selector catalog number.
- C and G cams on spring return selectors are limited to 4 contact blocks.  
Example: Selector with **D** cam 52SA2**D**AB.

**Push Operator**

Selector Position	Lever Position X indicates contact closed				Cam Ltr.	Contact Block	
	Left	Right	Left	Right			
<b>2</b>	X				52BAJ		R
	X	X			52BAJ	L	
		X	X		52BAK		R
			X		52BAK	L	
	X				52BAJ	L	OR R
		X	X	X	52BAK	L	OR R
	X	X	X		52BAJ		R
	X		X	X	52BAJ		R
		X			52BAK		R
			X		52BAK	L	
<b>3</b>	X	X			52BAJ	L	
	X		X	X	52BAJ		R
		X		X	52BAK		R
			X	X	52BAK	L	

D Button depressed  
N Button not depressed

Contact block mounting viewed from front

These instructions do not purport to cover all details or variations in equipment, nor to provide for every possible contingency to be met in connection with installation, operation or maintenance. Should further information be desired or should particular problems arise which are not covered sufficiently for the purchaser's purposes, the matter should be referred to the local Siemens sales office.

The contents of this instruction manual shall not become part of or modify any prior or existing agreement, commitment or relationship. The sales contract contains the entire obligation of Siemens. The warranty contained in the contract between the parties is the sole warranty of Siemens. Any statements contained herein do not create new warranties or modify the existing warranty.