
 TECHNICAL DATA SHEET

ABB cable glands – NBBG-G series

Black Beauty[®] general purpose nylon cable glands



Ideal for all industrial OEM and MRO applications, hand tighten, high mechanical pull out performance.

Certifications / Standards:


Features & Benefits:

- Large cable clamping range
- Liquid tight mechanical grip
- Full length busing seal protects cable
- Extended pull out performance
- Corrosion resistant

Applications:

- General purpose
- Machine building
- Maintenance and repair
- Suitable for cable types:
 - Non-armoured
 - Portable

Material:

- Halogen free nylon construction
- Neoprene or TPV sealing ring
- Nylon chuck

Environmental ratings:
Working Temperature:

- Normal use: -34 to +105°C (-29 to +221°F)

Ingress protection:

To ensure ingress protection, use suitable gasket and lock nut when required.

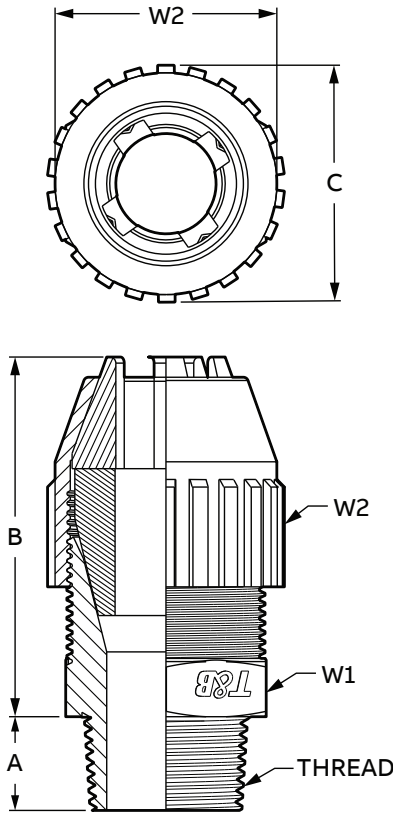
- TYPE 4X (With 5262 Series Sealing Rings)
- Wet and Dry Locations

Chemical resistance guide:

- See publication TDS000081

Conforms to:

- UL514B
- CSA C22.2-18.3
- NFPA 70 (ANSI) / CSA C22.1
- CG293 (US Coastguard)
- RoHS (Restriction of Hazardous Substances Directive) 2011/65/EU Incorporating 2015/863 amendment to Annex II



Product selection

Part no:	Thread (NPT)	Cable range				Nominal dimensions			
		Min	Max	A	B	C	W1	W2	
2671	3/8	3.18 (0.125)	6.99 (0.275)	11.76 (0.463)	39.04 (1.537)	22.86 (0.900)	19.81 (0.780)	21.34 (0.840)	
2690	1/2	3.18 (0.125)	6.99 (0.275)	15.37 (0.605)	41.78 (1.645)	29.34 (1.155)	25.40 (1.000)	21.34 (0.840)	
2672	1/2	6.35 (0.250)	10.16 (0.400)	15.37 (0.605)	50.52 (1.989)	31.98 (1.259)	27.79 (1.094)	30.35 (1.195)	
2673	1/2	10.16 (0.400)	14.22 (0.560)	15.37 (0.605)	50.52 (1.989)	31.98 (1.259)	27.79 (1.094)	30.35 (1.195)	
2691	1/2	14.22 (0.560)	17.53 (0.690)	15.37 (0.605)	60.83 (2.395)	38.71 (1.524)	33.53 (1.320)	34.54 (1.360)	
2692	1/2	16.76 (0.660)	19.81 (0.780)	15.37 (0.605)	60.83 (2.395)	38.71 (1.524)	33.53 (1.320)	34.54 (1.360)	
2693	3/4	6.35 (0.250)	10.16 (0.400)	15.67 (0.617)	52.60 (2.071)	35.79 (1.409)	30.99 (1.220)	30.35 (1.195)	
2694	3/4	10.16 (0.400)	14.22 (0.560)	15.67 (0.617)	52.60 (2.071)	35.79 (1.409)	30.99 (1.220)	30.35 (1.195)	
2674	3/4	14.22 (0.560)	17.53 (0.690)	15.67 (0.617)	60.53 (2.383)	38.71 (1.524)	33.53 (1.320)	34.54 (1.360)	
2675	3/4	16.76 (0.660)	19.81 (0.780)	15.67 (0.617)	60.53 (2.383)	38.71 (1.524)	33.53 (1.320)	34.54 (1.360)	
2696	3/4	19.56 (0.770)	22.73 (0.895)	15.67 (0.617)	65.30 (2.571)	47.85 (1.884)	41.66 (1.640)	45.72 (1.800)	
2676	1	16.76 (0.660)	19.81 (0.780)	19.56 (0.770)	64.59 (2.543)	47.85 (1.884)	40.64 (1.600)	45.72 (1.800)	
2677	1	19.56 (0.770)	22.73 (0.895)	19.56 (0.770)	69.34 (2.730)	47.85 (1.884)	40.64 (1.600)	45.72 (1.800)	
2678	1	22.10 (0.870)	25.91 (1.020)	19.56 (0.770)	69.34 (2.730)	47.85 (1.884)	40.64 (1.600)	45.72 (1.800)	
2699	1	22.61 (0.890)	27.69 (1.090)	19.56 (0.770)	83.82 (3.300)	65.38 (2.574)	56.77 (2.235)	62.99 (2.480)	
2702	1-1/4	22.61 (0.890)	27.69 (1.090)	20.17 (0.794)	63.98 (2.519)	65.38 (2.574)	56.39 (2.220)	62.99 (2.480)	
2703	1-1/4	27.43 (1.080)	32.51 (1.280)	20.17 (0.794)	81.43 (3.206)	65.38 (2.574)	56.39 (2.220)	62.99 (2.480)	
2704	1-1/4	32.26 (1.270)	37.34 (1.470)	20.17 (0.794)	81.43 (3.206)	65.38 (2.574)	56.39 (2.220)	62.99 (2.480)	
2705TB	1-1/2	22.61 (0.890)	29.21 (1.150)	20.57 (0.810)	85.80 (3.378)	76.28 (3.003)	66.68 (2.625)	71.63 (2.820)	
2706	1-1/2	28.96 (1.140)	35.56 (1.400)	20.57 (0.810)	88.98 (3.503)	76.99 (3.031)	66.68 (2.625)	71.63 (2.820)	
2707	1-1/2	35.31 (1.390)	41.91 (1.650)	20.57 (0.810)	88.98 (3.503)	76.99 (3.031)	66.68 (2.625)	71.63 (2.820)	
2708	2	30.23 (1.190)	38.86 (1.530)	21.41 (0.843)	107.98 (4.251)	98.98 (3.897)	79.38 (3.125)	85.73 (3.375)	
2709	2	38.61 (1.520)	47.24 (1.860)	21.41 (0.843)	103.20 (4.063)	98.98 (3.897)	79.38 (3.125)	85.73 (3.375)	
2710	2	46.99 (1.850)	55.63 (2.190)	21.41 (0.843)	103.20 (4.063)	98.98 (3.897)	79.38 (3.125)	85.73 (3.375)	

Fittings used in a trade size knockout requiring a Type 4X listing require a 5262 Series sealing ring. Dimensions for reference only.
 Bold numbers are metric, parenthesis numbers are inches.
 Note: Product must be installed in accordance with applicable national and local electrical codes.

ABB Inc.
 Electrification Products
 Memphis, Tennessee
 USA

We reserve the right to make technical changes or modify the contents of this document without prior notice. With regard to purchase orders, the agreed particulars shall prevail. ABB Inc does not accept any responsibility whatsoever for potential errors or possible lack of information in this document.

We reserve all rights in this document and in the subject matter and illustrations contained therein. Any reproduction, disclosure to third parties or utilization of its contents – in whole or in parts – is forbidden without prior written consent of ABB Inc. Copyright© 2017 ABB Inc. All rights reserved.

