



# Low Voltage WL Circuit Breakers Selection and Application Guide



## Low Voltage Circuit Breaker Guidelines

These instructions do not purport to cover all details or variations in equipment, or to provide for every possible contingency to be met in connection with installation, operation or maintenance. Should further information be desired or should particular problems arise which are not covered sufficiently for the purchaser's purpose, the matter should be referred to the local Siemens sales office. The contents of this catalog shall not become part of or modify any prior or existing agreement, commitment or relationship. The sales contract contains the entire obligation of Siemens. The warranty contained in the contract between the parties is the sole warranty of Siemens. Any statements contained herein do not create new warranties or modify the existing warranty.

For additional information, please visit our website, [usa.siemens.com/wl](http://usa.siemens.com/wl), or contact your local Siemens Sales Office.

For technical support, please contact the Technical Support Hotline at 1-800-333-7421, or submit a request through Online Support: <http://support.automation.siemens.com/US>

For order entry, logistics, or customer service issues, please contact the Customer Support hotline: 1-866-663-7324.

# WL Circuit Breaker

## Table of Contents

Features and benefits	4	Pre-assembled CubicleBus communication cables	24
Breaker assembly view	5	Fixed-mounted breaker bus connectors	25
Product overview	6	Primary lug connector kits	25
Draw-out cradle assembly view	7		
		<b>WL Catalog Numbering Overview</b>	<b>26</b>
<b>Electronic trip units (ETUs)</b>	<b>8 - 14</b>	<b>UL 489 Ratings</b>	<b>27 - 28</b>
ETU models and features	8	Ratings for UL 489	27
ETU communication	10	Ratings for UL 489 (non-automatic)	28
ETU metering function	11		
Alarm parameters	12	<b>UL 489 assembled breaker catalog number</b>	<b>29 - 33</b>
Extended relaying	12	Interrupting rating, frame size, breaker type and frame rating	29
Function overview of the ETU	13 - 14	Rating plug	30
		Electric trip unit	30
<b>Factory installed options</b>	<b>15 - 19</b>	Bell alarm, ready-to-close contacts	31
Ground fault module	15	Shunt trip	31
Key lock-out	15	Undervoltage release	32
Operation counter	15	Charging motor, motor switch, operations counter	32
Auxiliary contacts	15	Close coil, power metering and communications	33
Breaker status sensor (BSS)	15	Breaker locks	33
Bell alarm contact and reset coil	16	Miscellaneous options	33
Racking handle key lock	16		
Breaker push-button locks	16	<b>UL 489 assembled breaker catalog number (non-automatic)</b>	<b>34 - 37</b>
Close coil	16	Breaking capacity, frame size, switch type and frame rating	34
Spring charging handle lock	17	Ready-to-close auxiliary contacts	34
Rating plugs	17	Shunt trip	35
Ready-to-close contact	17	Undervoltage release	35
Shunt trip	17	Charging motor switch and operation counter	36
Shunt trip (continuous duty)	17	Close coil communications	36
Status contact	18	Switch locks	37
Spring charging motor	18	Miscellaneous options	37
Undervoltage release	18		
Secondary disconnect	19	<b>UL 489 accessories</b>	<b>38</b>
Isolation shutters	19	External breaker accessories	38
Modbus, Modbus TCP, PROFIBUS, and PROFINET IO communications	19		
Dual key breaker locking	19	<b>UL 489 cradle catalog numbers</b>	<b>39 - 40</b>
		<b>UL 489 cradle accessories</b>	<b>41</b>
<b>Cradle accessories and options</b>	<b>20</b>		
Arc chute cover	20	<b>UL 1066 ratings</b>	<b>42 - 43</b>
TOC (truck operated contacts)	20	Ratings for UL 1066	42 - 43
MOC (mechanism operated contacts)	20	Ratings for UL 1066 (non-automatic)	43
		<b>UL 1066 assembled breaker catalog number</b>	<b>44 - 48</b>
<b>Accessories</b>	<b>21 - 25</b>	Interrupting rating, frame size, breaker type and frame rating	44
Communication power supplies	21	Rating plug	46
Handheld test device	21	Electronic trip units	46
Electromagnetic Compatibility (EMC) Filter	21	Bell alarm, auxiliary contacts	47
Mechanical breaker interlocks	21	Shunt trip	47
Metering current transformer – 3-phase window	22	Undervoltage release	47
Metering current transformer – single phase	22	Charging motor	48
Neutral current sensor – 4-wire residual	23	Close coil power metering and communications	49
Breaker door cover	23	Breaker locks	49
Door sealing frame	23	Miscellaneous options	49
Breaker lifting device	23		
Remote breaker racking device	23		
Breaker hoist	23		
CubicleBus modules	24		
Digital input module	24		
ZSI module	24		
Analog output module	24		





# WL Circuit Breaker

## Introduction

Businesses are becoming increasingly more intelligent about the way they consume energy. Industrial and Commercial energy consumers are continuously looking for practical and efficient methods of measuring their energy usage while simultaneously ensuring any possible downtime is minimized. At Siemens we understand those needs and we have developed products and solutions to help energy consumers achieve their goals.

One of our solutions begins with our world-class WL Circuit Breakers. The WL line-up of breakers developed by Siemens combines decades of patented circuit breaker protection experience with the latest technology in circuit breaker performance and communication.

A good example of our innovative technology is, Dynamic Arc-Flash Sentry® (DAS). DAS is a solution that allows users the ability to automatically lower the down-stream available fault current when facility personnel are nearby the electrical equipment. Helping our customers provide a safer work-place environment is an important part to our overall solutions.

Other valuable aspects that complement our solutions are the WL circuit breaker's ability to gather energy and environmental data and send it to a central or remote monitoring network system. You'll find these capabilities and more when you take a closer look at WL circuit breakers features within this guide.

### WL Circuit Breaker features and benefits

- **3 frame sizes:** Three frame sizes that cover a wide range of continuous current ratings allow for flexible exchange of breakers to other compartments and reducing the footprint of the breaker enclosures.
- **Ready-to-close indication:** Built-in check points of the breakers mechanical operator provide an additional layer of safety and external controls by inhibiting the breaker from closing until certain conditions are satisfied.
- **100% rating:** All model breakers are designed for continuous operation at their maximum current ratings without de-rating the frame.
- **High-efficiency:** Low loss of energy flowing through the breaker reduces the operating costs.
- **Bi-directional feed:** Top or bottom supply feed without any hardware configuration changes.
- **Rogowski coil sensing:** Full range sensing without tap terminals or exchanging sensors to match load change requirements.
- **Modular trip unit:** Upgrading to a higher or lower current rating, adding ground fault, power monitoring or communication is cost effective and expandable using separately available modules.

- **Common accessories:** Interchangeable accessories for all frame sizes makes upgrading easy and readily available.

### Practical solution

#### Applications

The WL line of power breakers are protecting electrical distribution applications like waste water treatment, industrial plants, hospitals, transportation systems and data centers just to name a few. Yes, mission critical applications trust the Siemens WL circuit breakers to operate safe and reliably. The compact modular design provides higher power density in a section or line-up of distribution gear. Components like spring-charging motor, shunt trips, and trip units are common across the entire line of breakers. That allows users the ability to stock fewer spare parts or exchange options if necessary. Common options and accessories also make learning how to order, maintain and operate the WL much easier than most breakers on the market today.

WL circuit breakers are manufactured and performance tested to comply with UL489 and UL1066 standards for listed products.

**UL/CSA 489 Listed** type WL low voltage insulated case circuit breakers are generally intended to provide service entrance, feeder, and branch circuit protection in accordance with UL/CSA 489 Standard for Safety for Molded-Case Circuit Breakers, Molded-Case Switches, and Circuit-Breaker Enclosures. These circuit breakers are also certified for UL 489 Supplement SB, for use in Naval applications, and for ambient environments up to 50°C without derating. This versatile family of insulated case circuit breakers is acceptable for use within low-voltage switchboards (i.e. UL 891), low-voltage motor control centers (i.e. UL 845), and other types of industrial control equipment (i.e. UL 508 series). Certain options and maintenance capability may be limited in comparison to the UL1066 Listed circuit breakers. UL file numbers E231263, E236091 and E236299 apply.

**UL 1066 Listed** type WL low voltage power circuit breakers are generally intended to provide main and feeder circuit protection in accordance with UL1066 Standard for Safety for Low-Voltage AC and DC Power Circuit Breakers Used in Enclosures. Presently, there is not an equivalent CSA standard to UL 1066, and therefore these circuit breakers do not carry a CSA listing mark. These circuit breakers are constructed in compliance with ANSI/IEEE C37.13, and performance tested in accordance with ANSI C37.50. Throughout this document any reference to UL1066 will also mean ANSI Certified. This versatile family of power circuit breakers is acceptable for use within low voltage switchgear (i.e. ANSI/IEEE C37.20.1, ANSI/IEEE C37.20.7, and UL 1558), low voltage switchboards (i.e. UL 891), low voltage motor control centers (i.e. UL 845), and other types of industrial control equipment (i.e. UL 508 series). Certain options and ratings may be limited in comparison to the UL/CSA 489 Listed circuit breakers. UL file numbers E240124, E240232, E240233 and E236299 apply.

# WL Circuit Breaker

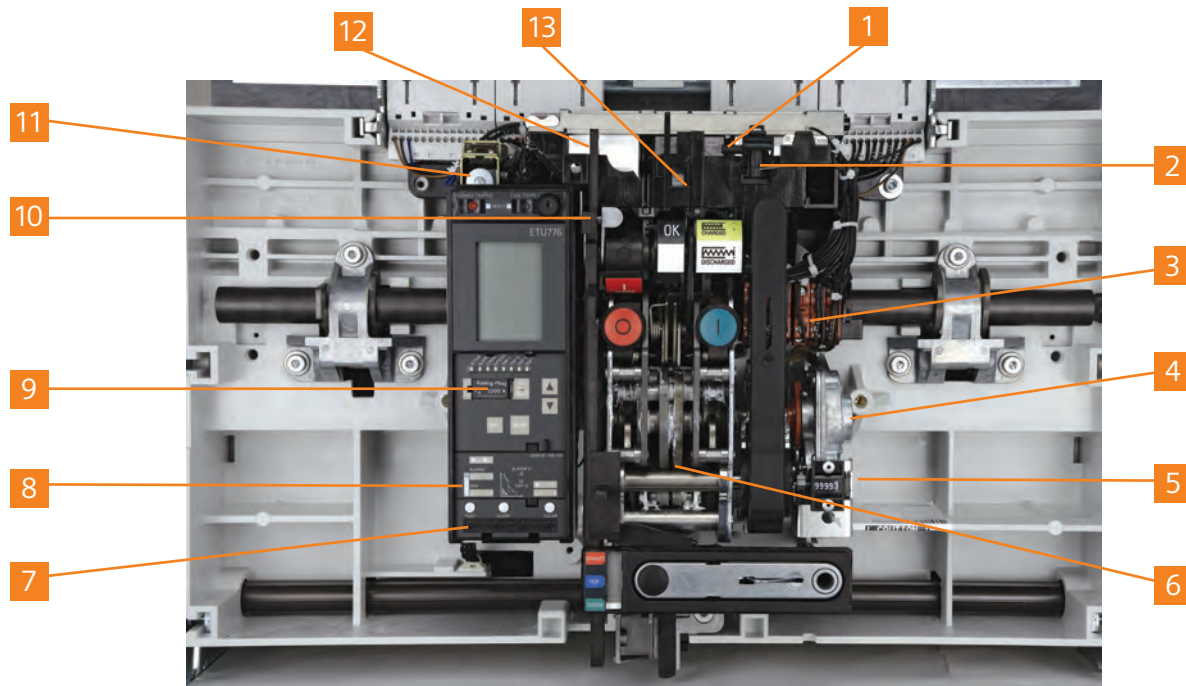
## Breaker Assembly View



### Exterior breaker features

- 1. Secondary contacts
- 2. Charging handle
- 3. Centralized operator panel

- 4. Integral racking handle with position indicator
- 5. Trip unit with LCD
- 6. Arc chutes



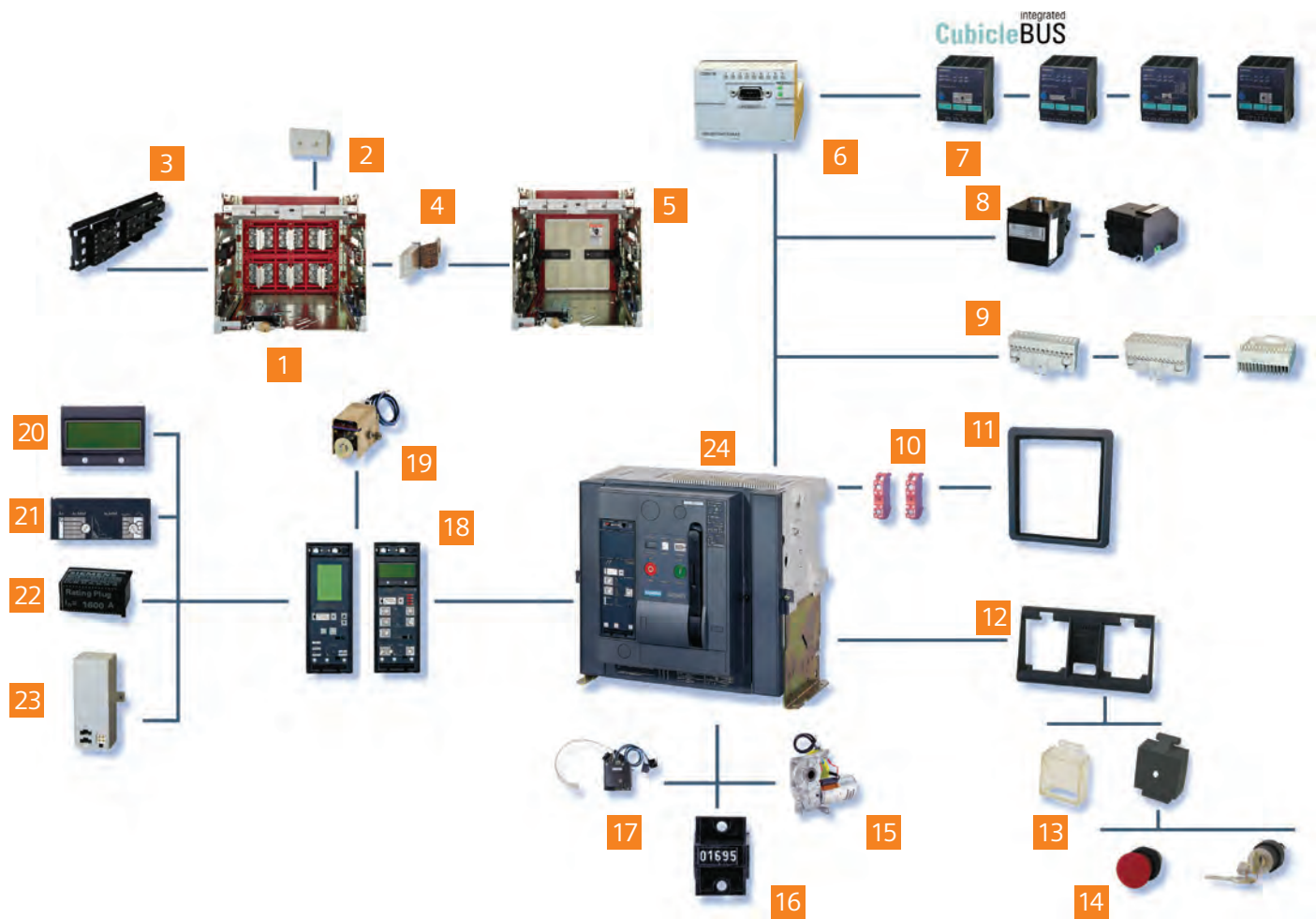
### Interior breaker features

- 1. Remote closing coil
- 2. Second shunt trip or UV release
- 3. Auxiliary switch
- 4. Automatic charging motor
- 5. Operation counter
- 6. Operating mechanism
- 7. Electronic trip unit (ETU)

- 8. Optional ground fault module with alarm and trip functions
- 9. Interchangeable current rating plug
- 10. Breaker status sensor (BSS)
- 11. Bell alarm contact with remote reset
- 12. Shunt trip coil
- 13. Ready-to-close-contact

# WL Circuit Breaker

Superior individual products for low-voltage power distribution systems



- 1. Guide Frame (for drawout version only)
- 2. Vertical to Horizontal BUS Connector
- 3. Position Signaling Switch
- 4. Breaker / Guide Frame Grounding Contact
- 5. Shutter (locking)
- 6. Communications module
- 7. External CubicleBUS I/O Module
- 8. Plug-In Open and Closed Solenoids
- 9. Multiple Secondary Connections

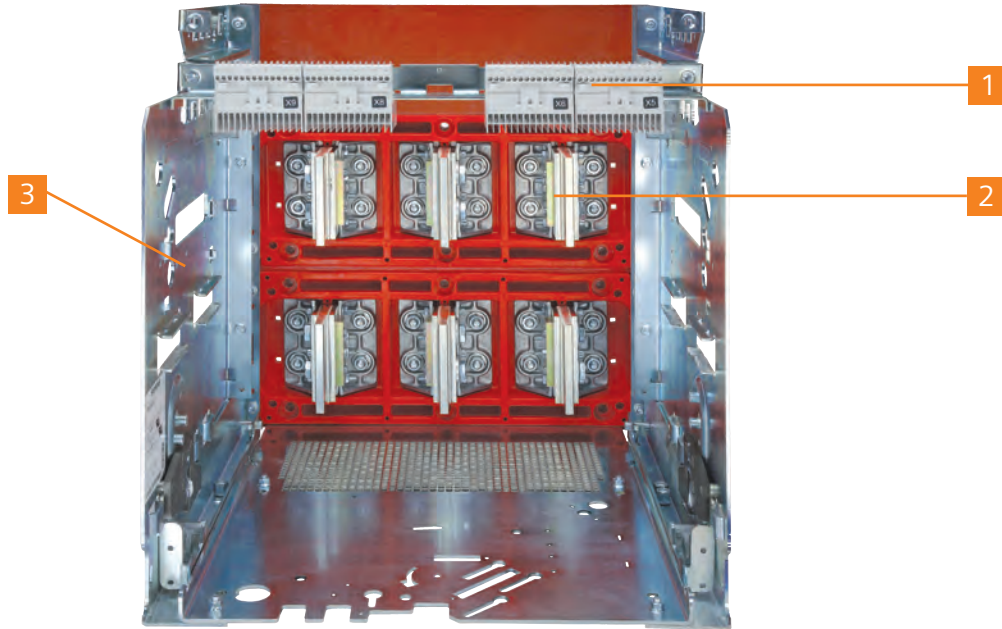
- 10. Auxiliary Switch Block
- 11. Door Sealing Frame
- 12. Interlocking Set Base Plate
- 13. Protective Cover for OPEN/CLOSE Buttons
- 14. Multiple Key Locking Accessories
- 15. Single Bolt Motor Operator Installation
- 16. Operations Counter
- 17. Breaker Status Sensor (BSS)

- 18. Complete Trip Unit Family
- 19. Remote Reset
- 20. Multi Angle LCD Module
- 21. Ground Fault Protection Module
- 22. Rating Plug
- 23. Metering Function (+ wave forms and harmonics)
- 24. Circuit Breaker



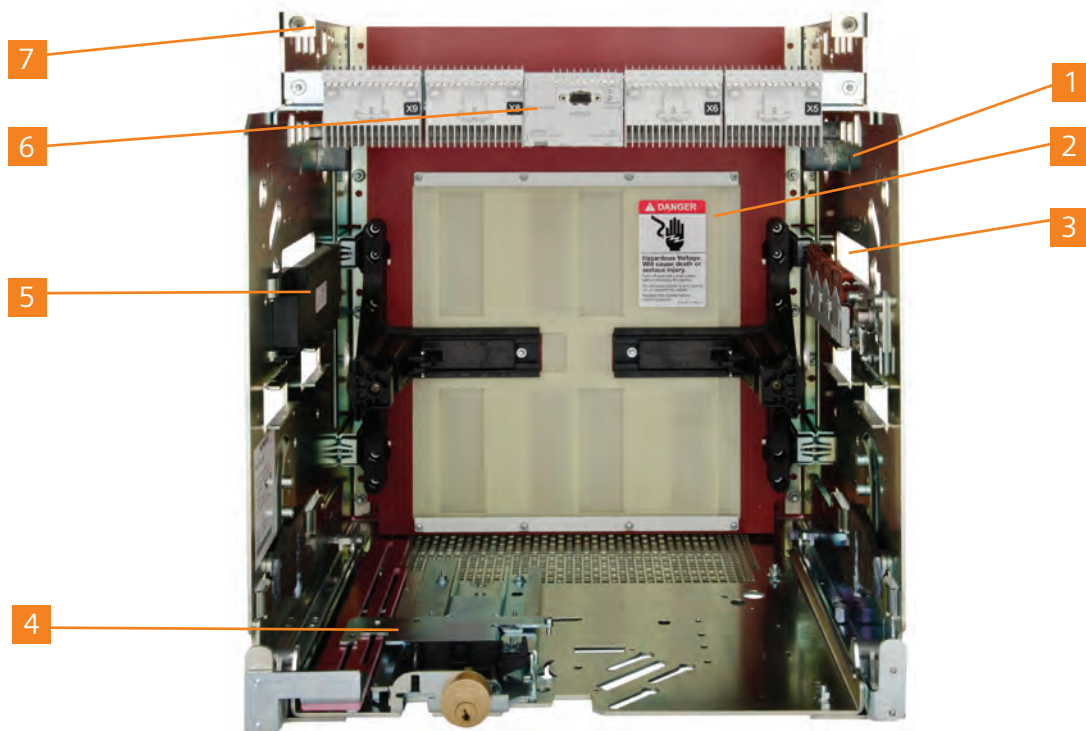
# WL Circuit Breaker

## Draw-out Cradle Assembly View



### Standard cradle

1. Stationary secondary disconnect
2. Primary disconnects
3. Cradle frame assembly for draw-out breakers



### Cradle accessories

1. Mechanical interlock (not shown)
2. Isolation shutters
3. Mechanism operated contact switches (MOC)
4. Dual key-lock location
5. Breaker position switches (TOC)
6. Communication module location (COM16 or COM15)
7. Optional arc chute cover (not shown)

# WL Circuit Breaker

## Electronic Trip Unit (ETU)

### Electronic trip units (ETUs)

Power system protection is necessary to defend against common types of abnormal occurrences, such as overloads or faults that can lead to electrical power system failure.

The methods for detecting and clearing such abnormalities and restore to normal operation is an engineered technique. Adequate protection requires constant measurements of certain system quantities, such as voltages and currents, comparing those system quantities, or some combination of the quantities, to a threshold setting computed by a systems engineer and set into an electronic trip unit like those available on the WL breakers. It's equally important for power system protection to perform under normal operating conditions. If the above thresholds are set too low the power may be interrupted unnecessarily causing loss of productivity or safety provisions. The WL circuit breaker offers a practical means of setting power system protection through vast selectivity available in its Electronic Trip Unit (ETU). WL ETUs have a wide range of protective settings for implementing simple or complex coordination schemes and configuring reliable system protection.

### ETU enhanced features

- Extended Instantaneous Protection (EIP): Allows the entire range of WL ampacities to be applied at the withstand rating of the breaker with minus 0% tolerance; that means no instantaneous override whatsoever. EIP further enables the circuit breaker to be applied up to the full interrupting rating of the breaker on systems where the available fault current exceeds the withstand rating, even with LS-only trip units.
- Dynamic Arc-Flash Sentry (DAS): Allows you the ability to execute a faster coordinated trip condition should an arc fault event occur while personnel are within the arc flash boundary. When the presence of personnel is no longer in the arc flash boundary, DAS will default back to maintaining your selective trip coordination through time delay functions. This is like toggling between two trip units on one breaker. DAS can be activated by a simple contact closer, so a wide range of activation devices can be used to enable DAS.
- Selectable I<sup>4</sup>t: ETU745 and 776 make it possible to switch over from an I<sup>2</sup>t to an I<sup>4</sup>t inverse-time function for overload protection. This selectivity increases optimization of coordinated overload protection when overload fuse protection is also provided.

### ETU basic functions

#### Long-time trip

The long-time delay adjustment is used to set the tripping delay of the circuit breaker based on the magnitude of the overcurrent condition (6 times I<sub>r</sub>). For example if the rating plug is 2000

amps and the long-time delay is set to 10 seconds, a fault current of 12,000 amps (6 x 2000) will cause the breaker to trip after 10 seconds. Long-time is an inverse of I<sup>2</sup>t ramp function. This means the higher the current, the shorter the time the circuit breaker will remain closed. An Alarm LED indicator will flash during the delay period and a separate "Trip L" indicator may turn on if the breaker trips on long-time function.

#### Short-time trip

The short-time pickup adjustment is used to set the level of high current the breaker will carry for a short period of time without tripping. This adjustment is set in multiples of the value of the rating plug (I<sub>r</sub>). Together with the short-time delay, this adjustment allows downstream breakers time to clear short circuit faults without tripping upstream breakers. Short-time delay is used to set the time interval the breaker will wait before responding to the current value selected by short-time pickup. There are two modes of operation: fixed and I<sup>2</sup>t. The I<sup>2</sup>t delay has the characteristic of being inversely proportional to the square of the magnitude of the current. This means higher overcurrent conditions have shorter delays. An Alarm LED indicator may flash during the delay period and a separate "Trip S" indicator will turn on if the breaker trips on short-time function.

#### Instantaneous trip

The instantaneous pickup adjustment is used to set the current level at which the breaker will trip without an intentional time delay. Non-delayed tripping as a result of severe overcurrent minimizes potential damage to the electrical system and equipment.

#### Ground fault

The ground fault pickup adjustment is used to set the level of ground current at which circuit interruption will be initiated. Together with ground fault delay, this adjustment allows selective tripping between main and feeder or downstream breakers.

The ground fault delay adjustment is used to set the time interval (in seconds) the breaker will wait before responding once the ground fault pickup level has been reached. The available ground fault delay settings available are: inverse time (I<sup>2</sup>t) or fixed delay.

# WL Circuit Breaker

## Electronic Trip Unit (ETU)

### ETU models and features



Features and characteristics	ETU745	ETU776
Long-time overcurrent protection (L)	X	X
Short-time delayed overcurrent protection (S)	X	X
Instantaneous overcurrent protection (I)	X	X
Neutral conductor protection (N)	X	X
Ground fault protection (G)	X	X
Selectable neutral protection	X	X
Defeatable short-time protection	X	X
Defeatable instantaneous protection	X	X
Selectable thermal memory	X	X
Zone selective interlocking	X	X
Selectable I <sup>2</sup> t or I <sup>4</sup> t long-time delay	X	X
Adjustable instantaneous pick-up	X	X
Selectable I <sup>2</sup> t or I <sup>4</sup> t long-time delay		X
Adjustable short-time delay and pick-up	X	X
Selectable and adjustable neutral protection	X	X
Dual protective setting capability		X
Dynamic arc-flash sentry (DAS)		X
Extended instantaneous protection (EIP)	X	X
Parameterization by rotary switches	X	
Parameterization by communication (absolute values)		X
Parameterization by menu/keypad (absolute values)		X
Remote parameterization of the alarm functions		X
Remote parameterization of the relay functions		X
Alphanumeric display	O	X
Graphical display		X
Power meter function	O	O
Communication via PROFIBUS DP	O	O
Communication via Modbus RTU	O	O
Communication via Modbus TCP / PROFINET IO	O	O

(X) = standard feature, (O) = optional feature



# WL Circuit Breaker

## Electronic Trip Unit (ETU)

### ETU communication

The ETU uses a Siemens proprietary communication network called CubicleBus. The CubicleBus network ensures all Siemens devices are able to transmit data reliably and efficiently. The ETU can not be connected directly any other network so the use of converters are necessary to allow communication between the ETU and the outside world. The WL has three types of communications modules to allow communication between the ETU and computer type equipment. The three converts are:

- PROFIBUS (COM15)
- Modbus (COM16)
- Modbus TCP / PROFINET IO (COM35)

The WL PROFIBUS communications module is model 'COM15.' The COM15 device acts as an interface between the WL breaker and a PLC. A joint device master file (GSD) can be used for integrating WL circuit breakers in a PROFIBUS DP network. The advantage of this joint communication profile is that the same software can be used for automation, monitoring and control systems.

The WL Modbus communications module is model 'COM16'. The COM16 device enables the WL breaker to be connected to any Modbus master network. Universal Modbus mapping can be used to allow custom monitoring and controls with a centralized monitoring system. The COM16 has a standard RS485 Modbus port for convenient daisy-chaining to other WL breakers and Modbus devices to create a serial network that can connect through a suitable gateway to a LAN or WAN network.

The WL Modbus TCP and PROFINET IO communications module is model 'COM35'. This device can communicate PROFINET IO and Modbus TCP simultaneously over Ethernet, and is capable of supporting dual masters. The datasets are structured identical to the COM15 and COM16 communications devices for easy integration in existing SCADA systems.

All three communications modules require a 24VDC Class 2 power supply. See External Accessories for more information on available power supplies.

# WL Circuit Breaker

## Electronic Trip Unit (ETU)

### Power metering function

In addition to excellent protection capabilities, the WL ETU has unparalleled power metering functionality. True RMS current sensing for metering is obtained from the same current

sensors used for overload protection. ETU power metering can measure the following:

Measured value	Value range	Accuracy
Currents Ia, Ib, Ic, In	30 ... 8000A	± 1%
Ground-fault current Ig (measure with external Gnd transformer)	100 ... 1200A	± 5%
Line-to-line voltages Vab, Vbc, Vca	80 ... 120% Vn	± 1%
Line-to-neutral voltages Van, Vbn, Vcn	80 ... 120% Vn	± 1%
Average value of phase-to-phase voltages V L-L AVG	80 ... 120% Vn	± 1%
Apparent power kVA per phase	13 ... 8000kVA	± 2%
Total apparent power KVA	13 ... 24000kVA	± 2%
Active power kW per phase	-8000 ... 8000kW	± 3% (power factor > 0.6)
Total active power kW total	-24000 ... 24000kVA	± 3% (power factor > 0.6)
Reactive power kvar	-6400 ... 6400kvar	± 4% (power factor > 0.6)
Total reactive power kvar	-20000 ... 20000kvar	± 4% (power factor > 0.6)
Power factor per phase	-0.6 ... 1 ... 0.6	± 0.04
Power factor total	-0.6 ... 1 ... 0.6	± 0.04
Demand of currents Ia, Ib, Ic	30 ... 8000A	± 1%
Average demand of 3-phase current	30 ... 8000A	± 1%
Demand kW per phase	13 ... 8000kW	± 3% (power factor > 0.6)
kW demand 3-phase active power kW total	13 ... 8000kW	± 3% (power factor > 0.6)
kVA demand kVA total	13 ... 8000kVA	± 2%
kVAR demand kVAR per phase	13 ... 8000kVA	± 2%
kVAR demand total	-24000 ... 24000kvar	± 4% (power factor > 0.6)
kWhr imported	1 ... 10000MWh	± 2%
kWhr exported	1 ... 10000MWh	± 2%
kVARh imported	1 ... 10000Mvarh	± 4%
kVARh exported	1 ... 10000Mvarh	± 4%
Frequency	15 ... 440 Hz	± 0.1 Hz
Total harmonic distortions for current and voltage	2 ... 100%	± 3% from the meas. range up to the 29th harmonic
Phase unbalance for current and voltage	2 ... 150%	± 1%

Potential transformers (PTs) are required to step down the supply voltage to a level that is suitable for local input connection to the breaker. PTs must be wired to the secondary connections of the breaker and configured for three-phase, three-wire or three-phase, four-wire supply system. The measured values can be sent to a central database for future power analysis or consumption reports.

Metering is not field installable, it is integrated into the trip unit and must be configured in the initial breaker purchase.

### Event log

The event log is very extensive. Information regarding the list of events can be found in the WL operation manual or communication guide. Some of the event log categories are:

- Warnings
- Trip Logs
- Set-points
- Maintenance Detail
- CubicleBus Conditions
- Waveform Displays

# WL Circuit Breaker

## Electronic Trip Unit (ETU)

### Alarm parameters

The metering function includes the following alarm set-point functions:

Alarm function	Setting range	Delay range
Overcurrent	3 ... 10000A	0 ... 255 s
Overcurrent – ground fault	3 ... 10000A	0 ... 255 s
Overcurrent – N-conductor	3 ... 10000A	0 ... 255 s
Phase unbalance – current	5 ... 50%	0 ... 255 s
Demand – current	3 ... 10000A	0 ... 255 s
Total harmonic distortion – current	0 ... 50%	5 ... 255 s
Undervoltage	100...1200V	0 ... 255 s
Overvoltage	200...1200V	0 ... 255 s
Phase unbalance – voltage	5 ... 50%	0 ... 255 s
Total harmonic distortion – voltage	0 ... 50%	5 ... 255 s
Crest factor	0.01 ... 25.5%	0 ... 255 s
Form factor	0.01 ... 25.5%	0 ... 255 s
Active power in normal direction	1 ... 10000kW	0 ... 255 s
Active power in reverse direction	1 ... 10000kW	0 ... 255 s
Leading power factor	-0.999 ... 1	0 ... 255 s
Lagging power factor	-0.999 ... 1	0 ... 255 s
Demand – active power	1 ... 10000kW	0 ... 255 s
Apparent power	1 ... 10000kVA	0 ... 255 s
Reactive power in normal direction	1 ... 10000kvar	0 ... 255 s
Reactive power in reverse direction	1 ... 10000kvar	0 ... 255 s
Demand – reactive power	1 ... 10000kvar	0 ... 255 s
Underfrequency	40 ... 70 Hz	0 ... 255 s
Overfrequency	40 ... 70 Hz	0 ... 255 s

### Extended relaying

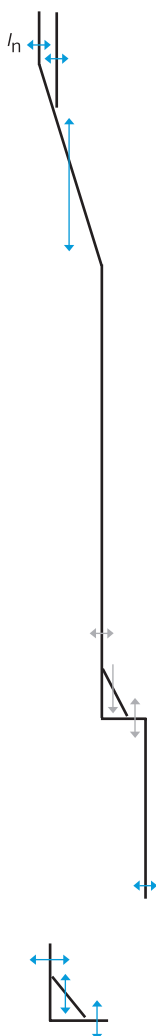
Protective relays included with the metering function can monitor the following criteria and initiate a trip if the values are exceeded.

Protective relay function	ANSI device number	Setting range	Delay range
Current unbalance	46	5 ... 50%	1 ...15 s
Total harmonic distortion - current	81 THDC	0 ... 50%	5 ...15 s
Voltage unbalance	47	5 ... 50%	1 ...15 s
Undervoltage	27	100 ... 1100V	1 ...15 s
Overvoltage	59	200 ... 1200V	1 ...15 s
Total harmonic distortion - voltage	81 THDV	0 ... 50%	5 ...15 s
Direction of phase rotation	47N		
Active power in normal direction	32	1 ... 10000kW	1 ...15 s
Active power in reverse direction	32R	1 ... 10000kW	1 ...15 s
Under frequency	81U	40 ... 70 Hz	1 ...15 s
Over frequency	81O	40 ... 70 Hz	1 ...15 s

# WL Circuit Breaker

## ETU Function Overview

Basic functions		ETU745
L	<b>Long-time overcurrent protection</b>	✓
	Function can be disabled	–
	Setting range $I_R = I_N \times \dots$	0.4, 0.45, 0.5, 0.55, 0.6, 0.65, 0.7, 0.8, 0.9, 1
	Switch-selectable overload protection ( $I^2t$ or $I^4t$ dependent function)	✓
	Setting range of time delay class $t_R$ at $I^2t$ (seconds)	2, 3.5, 5.5, 8, 10, 14, 17, 21, 25, 30
	Setting range of time delay $t_R$ at $I^4t$ (seconds)	1, 2, 3, 4, 5
N	Thermal memory	✓ (via slide switch)
	Phase loss sensitivity	set $t_{sd} = 20$ ms (M)
	<b>Neutral protection</b>	✓
S	Function can be disabled	✓ (via slide switch)
	N-conductor setting range $I_N = I_n \times \dots$	0.5 ... 1
	<b>Short-time overcurrent protection</b>	✓
	Function can be disabled	✓ (via rotary switch)
	Setting range $I_{sd} = I_n \times \dots$	1.25, 1.5, 2, 2.5, 3, 4, 6, 8, 10, 12
	Setting range of time delay $t_{sd}$ , fixed (constant time in seconds)	0.02 (M), 0.1, 0.2, 0.3, 0.4, OFF
I	Setting range of time delay $I_{sd}$ at $I^2t$ (seconds)	0.1, 0.2, 0.3, 0.4
	Zone Selective Interlocking (ZSI) function	per CubicleBUS module
	<b>Instantaneous overcurrent protection</b>	✓
	Function can be disabled	✓
	Extended Instantaneous Protection	Instantaneous is active when disabled
G	Setting range $I_i = I_n \times \dots$	1.5, 2.2, 3, 4, 6, 8, 10, 12 0.8 x $I_{cw} = \text{Max}$ ,
	<b>Ground fault protection</b>	o (field installable module)
	Trip and alarm function	✓
	Detection of the ground fault current by residual summing method	✓
	Detection of the ground fault current by direct sensing method	✓
	Setting range of the $I_g$ for trip	FS1 & 2: 100, 300, 600, 900, 1200A, FS3: 400, 600, 800, 1000, 1200A
	Setting range of the $I_g$ for alarm	FS1 & 2: 100, 300, 600, 900, 1200A, FS3: 400, 600, 800, 1000, 1200A
	Setting range of the time delay $t_g$ (fixed seconds)	0.1, 0.2, 0.3, 0.4, 0.5
Setting range time delay $t_g$ at $I^2t$	0.4, 0., 0.3, 0.4, 0.5	
ZSI ground function	per CubicleBUS module	

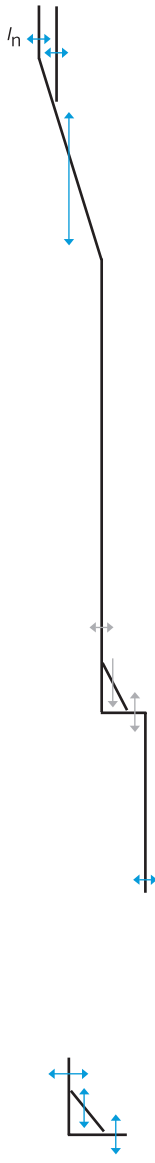


**Notes:**

- 1 M =  $t_{sd} = 20$ ms is the motor protection setting with phase-loss sensitivity enabled: LT pick-up is reduced to 80% when phase unbalance > 50% .
  - 2 Extended Instantaneous Protection (EIP) allows the WL breaker to be applied at the withstand rating of the breaker with minus 0% tolerance; that means no instantaneous override whatsoever. EIP further enables the circuit breaker to be applied up to the full instantaneous rating of the breaker on systems where the available fault current exceeds the withstand rating.
- ✓ available  
 – not available  
 o optional

# WL Circuit Breaker

## ETU Function Overview



Basic function	ETU776	
<b>L</b>	<b>Long-time overcurrent protection</b>	✓
	Function can be disabled	–
	Setting range $I_R = I_n \times \dots$	40-100% of $I_n$ (Adjustable in Amps <sup>1</sup> )
	Switch-selectable overload protection ( $I^2t$ or $I^4t$ dependent function)	✓
	Setting range of time delay $t_R$ at $I^2t$ (seconds)	2...30s
	Setting range of time delay $t_R$ at $I^4t$ (seconds)	1...5s
	Thermal memory	✓ (on/off via keypad or communications)
	Phase loss sensitivity	✓ (on/off via keypad or communications)
	<b>Neutral protection</b>	✓
	<b>N</b>	Function can be disabled
	N-conductor setting range $I_N = I_n \times \dots$	0.5 ... 2 OFF
<b>S</b>	<b>Short-time delayed overcurrent protection</b>	✓
	Function can be switched ON/OFF	✓ (on/off via keypad or communications)
	Setting range $I_{sd} = I_n \times \dots$	1.25... 0.9 $\times I_{CW} = \text{max}$
	Setting range of time delay $t_{sd}$ , fixed (seconds)	0.02s (M), 0.08 ... 4s, OFF
	Switch-selectable short-time delay short-circuit protection ( $I^2t$ dependent function)	✓ (via keypad or communications)
	Setting range of time delay $I_{sd}$ at $I^2t$ (seconds)	0.1 ... 0.4s
	Zone Selective Interlocking (ZSI) function	per CubicleBUS module
<b>I</b>	<b>Instantaneous overcurrent protection</b> <sup>2</sup>	
	Function can be disabled, Extended Instantaneous Protection is enabled when OFF	✓ (via keypad or communications)
	Setting range $I_I = I_n \times \dots$	1.5 ... 0.8 $\times I_{CS} = \text{MAX}$ OFF = $I_{CW} = \text{EIP}$
<b>G</b>	<b>Ground fault protection</b>	o (field installable module)
	Trip and alarm function	✓
	Detection of the ground fault current by residual summing method	✓
	Detection of the ground fault current by direct summing method	✓
	Setting range of the $I_g$ for trip	FS1 & 2: 100A ... 1200A, FS3: 400A ... 1200A
	Setting range of the $I_g$ for alarm	FS1 & 2: 100A ... 1200A, FS3: 400A ... 1200A
	Setting range of the time delay $t_g$ (seconds)	0.1 ... 0.5s
Switch-selectable ground fault protection ( $I^2t$ / fixed)	✓	
	Setting range time delay $t_g$ at $I^2t$	0.1...0.5s
	ZSI ground function	per CubicleBUS module

**Notes:**

- <sup>1</sup> From the ETU keypad, delay times can be set in the following increments within the applicable limits:
 

20ms ... 500ms in 5ms steps	1.05s ... 1.5s in 50ms steps
510ms ... 1.0s in 10ms steps	> 1.6s in 0.1s steps

 Via communication, delay times can be set in 0.1s steps.
- <sup>2</sup> ETU776 settings via communications: 10A steps for Instantaneous and Short Time pickup, all others 1A steps.
 

Via ETU Keypad: Below 1000A: 10A steps	1600A-1000A: 50A steps
1600A-1000A: 100A steps	Above 10000A, 1000A steps
- <sup>3</sup> Extended Instantaneous Protection (EIP) allows the WL breaker to be applied at the withstand rating of the breaker with minus 0% tolerance; that means no instantaneous override whatsoever. EIP further enables the circuit breaker to be applied up to the full instantaneous rating of the breaker on systems where the available fault current exceeds the withstand rating.
- <sup>4</sup> M = tsd = 20ms is the motor protection setting with phase-loss sensitivity enabled: LT pick-up is reduced to 80% when phase unbalance > 50%. Keypad - Direct input at the trip unit.

✓ available  
 – not available  
 o optional

# WL Circuit Breaker

## Factory Installed Options<sup>1</sup>

### Breaker mounted options

#### Ground fault module

The ground fault module (GFM) is used to detect current flowing through the grounding conductors which may present a hazardous condition. The module can be field installed. Residual sensing by phase vector summation or direct sensing can be selected on the module or via the setup of the ETU776. Ground fault modules may be ordered as alarm only or as alarm and trip. Alarm will provide a visual and communication notification. Alarm and trip model will trip the breaker in addition to alarm notification.

For more information about ground fault protection, see the [Ground Fault Application Guide](http://www.usa.siemens.com/wl). [www.usa.siemens.com/wl](http://www.usa.siemens.com/wl)



#### Key lock-out

To lock the WL breaker in the "Open" position, an optional keylock can be installed in the breaker. The key cylinder and lock-out assembly are mounted in the breaker and accessible through a knockout in the breaker front cover. The key is removable only when the breaker is locked open. If a custom, coordinated key/cylinder is required, order the lock provision-only. The lock cylinder and matched key must then be ordered separately from the respective lock manufacturer.

The compatible Kirk cylinder lock part number is C-900-301. The compatible Superior cylinder lock part number is C-900.



#### Operation counter

For monitoring the number of breaker operations (open and close) a numerical operations counter is available. This counter is only suitable for breakers equipped with the spring-charging motor option. The counter mounts to the motor assembly and will register manual and electrical breaker operations. Counter is non-resettable up to 100,000 operations. Counter ships with available pre-service operations for field setting to zero.



<sup>1</sup> See page 109 for field install part numbers.

### Auxiliary contacts

Auxiliary contacts can be used to provide interlocking control or remote indication of the breakers main contact position (open or closed breaker). The Normally Open (NO) contacts are open when the breakers main contacts are open. The Normally Closed (NC) contacts are closed when the breakers main contacts are open. The contacts are wired individually to the secondary disconnects for user connectivity. See breaker wiring diagram for supply terminal locations.



### Characteristics table

Available Contact Configurations		2NO and 2NC or 4NO and 4NC
AC Operation	Voltage	240VAC 50/60Hz
	Continuous Current	10A
	Making Current	30A
	Breaking Current	3A
DC Operation	Voltage	24, 125, 250VDC
	Continuous Current	5A
	Making Current	1.1A @ 24 or 125VDC, .55A @250VDC
	Breaking Current	1.1A @ 24 or 125VDC, .55A @250VDC

### Breaker status sensor (BSS)

BSS is an integrated circuit device that measures the internal breaker temperature, monitors breaker main contact position (open or closed), bell alarm status, undervoltage release status, breaker ready-to-close and closing spring charged status. All status conditions and information is transmitted through the CubicleBus network as real-time data. A COM16 (Modbus), COM15 (PROFIBUS) or a COM35 (Modbus TCP / PROFINET IO) accessory can be used to communicate the breaker status provided by the BSS to an external computer or monitoring system. See breaker wiring diagram for supply terminal locations, which are included with COM15, COM16, and COM35 communications accessories.



### Characteristics table

Operating Voltage	24VDC
Peak Inrush Current	110mA
Max. Continuous Current	40mA
Ambient Operation Temperature	-25 to 70°C

# WL Circuit Breaker

## Factory Installed Options<sup>1</sup>

### Bell alarm contact and reset coil

The bell alarm contacts are mechanically activated by the trip unit solenoid. If a breaker trip condition occurs, the bell alarm form-C contacts will change state closing or opening a user circuit wired to the secondary terminal block. The contacts can be locally reset to their original position by manually resetting the breaker trip button or through the use of a reset coil that resets the contacts remotely. See breaker wiring diagram for supply terminal locations. Non-automatic (manual) reset trip units can not be used with the reset coil option.



### Characteristics table

Available contact configurations		Coil ratings
Remote	Voltage	240VAC 50/60Hz
Reset Coil	Continuous Current	5A
AC Operation	Making Current	8A
	Breaking Current	5A
Remote	Voltage	24, 48, 125 or 250VDC
Reset Coil	Continuous Current	5A
DC Operation	Making Current	.4A @ 24, 48, 125VDC, .2A @ 250VDC
	Breaking Current	.4A @ 24, 48, 125VDC, .2A @ 250VDC

### Racking handle key lock

A draw-out breaker can be key locked (optional) or padlocked (standard not shown) in three racking positions; connect, test or disconnect. Key lock cylinders are available in Kirk or Superior types and uniquely keyed.

For more information about interlocking possibilities, see the [Locking Provisions Application Guide](http://www.usa.siemens.com/wl) [www.usa.siemens.com/wl](http://www.usa.siemens.com/wl)



### Breaker push button lock-outs

A finger or hand tool shroud option can be added to the breaker front cover to isolate the open and close buttons from unintentional use. Shrouds may be used in combination or like configuration.

To isolate the open and close buttons from unintentional use, transparent padlock covers can be installed in lieu of the shroud option. Two padlocks may be used with a latch diameter of 3/8 inch maximum (padlocks by others).

For more information about interlocking possibilities, see the [Locking Provisions Application Guide](http://www.usa.siemens.com/wl). [www.usa.siemens.com/wl](http://www.usa.siemens.com/wl)



### Close coil

To remotely close the WL breaker, a close coil must be used with a momentary electrical source. Only one close coil can be used per breaker. Charging springs must be charged and breaker open prior to activating the close coil. See breaker wiring diagram for supply terminal location.



### Characteristics table

Close Coil AC Operation	120VAC Range	104 - 127VAC
	240VAC Range	208 - 254
	Power Consumption	120W for 50ms (5% duty cycle)
Close Coil DC Operation	24VDC	14 - 28VDC
	48VDC	28 - 56VDC
	125VDC	70 - 140VDC
Close Coil DC Operation	250VDC	140 - 280VDC
	Power Consumption	120W for 50ms (5% duty cycle)
	Breaker closing time	50ms from point of signal

<sup>1</sup> See page 109 for field install part numbers.



# WL Circuit Breaker

## Factory Installed Options<sup>1</sup>

### Spring charging handle lock

An optional padlock provision to prevent manual charging of the closing springs can be installed on the breaker front cover. This provision does not prevent electric charging of the closing springs and the breaker can be mechanically closed if the closing spring is charged prior to padlocking the charging handle. One padlock may be used with a latch diameter of 3/8 inch maximum (padlock by others).

For more information about interlocking possibilities, see the [Locking Provisions Application Guide](http://www.usa.siemens.com/wl) [www.usa.siemens.com/wl](http://www.usa.siemens.com/wl)



### Rating plugs

The rating plug is required to limit the downstream load current. Use of a rating plug that exceeds the breaker frame rating will result in a trip unit error and will trip the breaker automatically. Rating plugs are field interchangeable.



### Ready-to-close contact

In addition to the standard “ready-to-close” visual indicator on the WL breaker, an optional contact can be added to remotely monitor the ready-to-close conditions. Closing is ready if all of the following conditions are true:

- closing spring-charged
- breaker main contacts are open
- mechanical lock-outs disabled
- racking handle seated in stored position
- electrical lock-outs disabled



### Characteristics table

Ready-to-close contact	Voltage	125-240VAC, 125 -250VDC
	Continuous current	3A
	Making current	.4A @24-125VDC, 5A @120-240VAC
	Breaking current	.2A @24-125VDC, 3A @120-240VAC

### Shunt trip (intermittent duty)

The shunt trip opens the circuit breaker instantly when energized by a remote power source. A clearing contact is wired in series with the shunt trip to remove the control voltage from the coil after the breaker is opened. Two shunt trip coils may be installed in a breaker if dual supply sources or control circuits are required. An optional status contact may be selected to provide a signaling condition that the shunt trip has been activated.



### Characteristics table

Trip coil AC operation	120VAC range	104 - 127VAC
	240VAC range	208 - 254VAC
	Power consumption	120W for 50ms (5% duty cycle)
	Min. closing time	50ms from point of signal
Trip coil DC operation	24VDC range	14 - 28VDC
	48VDC range	28 - 56VDC
	125VDC range	70 - 140VDC
	250VDC range	140 - 280VDC
	Power consumption	120W for 50ms (5% duty cycle)
	Min. closing time	50ms from point of signal

### Shunt trip (continuous duty)

The continuous duty shunt trip is available for 100% duty cycle and can hold the WL breaker open during an electrical or manual “close breaker” attempt (i.e. lock-out). The continuous duty trip may be used in conjunction with a standard shunt trip solenoid for dual control.



### Characteristics table

Shunt trip (interlock coil)	120 - 240 VAC range	85 - 110% of nominal
	24 - 250VDC range	70 - 126% or nominal
	Power consumption	15W / 15VA
	Min. shunt trip actuation	60 ms
	Opening time of breaker	80 ms
	Smallest fuse protection rating	1A

<sup>1</sup> See page 109 for field install part numbers.

# WL Circuit Breaker

## Factory Installed Options<sup>1</sup>

### Status contact

A status contact is a mechanical switch that is suitable for monitoring an undervoltage trip or second shunt trip coil position. The contact will be wired to the secondary contacts of the breaker for customer connections or wired to the Breaker Status Sensor (BSS) if communications is installed on the breaker. Contact is 1NO configured.



### Characteristics table

Signaling contact	Voltage	127 - 240VAC, 24 - 125VDC
	Continuous current	3A
	Making current	1A @24 - 125VDC, 5A @120 - 240VAC
	Breaking current	1A @24 - 125VDC, 3A @120 - 240VAC

### Spring-charging motor

The spring charging motor is used to automatically charge the breakers closing spring so the breaker is suitable for closing on command. Motor charging is typically used for remote breaker operation or as an alternative to local manual charging. The motor assembly can be easily installed in the field and includes an automatic cut-off switch which disconnects the current upon full charge of the closing spring mechanism.



### Characteristics table

Spring-charging motor	120 - 240VAC range	85 - 110% of nominal
	24 - 240VDC range	70 - 126% of nominal
	Power consumption	110W
	Max. charging time	10 seconds
	Fuse protection rating	24-60V 6A, 120-240V 3A (slow-blow)

### Undervoltage release

In the event of loss or low level control circuit voltage, an undervoltage release may be used to automatically open the circuit breaker. To prevent nuisance breaker openings from temporary voltage dips, a separate adjustable time-delay undervoltage release is also available. The status of the undervoltage release can be monitored via communications using a contact connected to the BSS.



### Characteristics table

Undervoltage release UVR	Operating values	85 - 110% breaker can be closed, 35 - 70% breaker will open
	120 - 240VAC	85 - 110% of nominal
	Coil voltage tolerance	
	24 - 250VDC	85 - 126% of nominal
	Coil voltage tolerance	
	Supply voltage	120, 240VAC or 24, 48, 125, 250VDC
	Power consumption	200VA inrush/ 5VA continuous (same in Watts for DC)
	Opening time of breaker	200 ms
	UVR w/o time delay (dual setting)	80 ms or 200ms
	UVR with time delay (adjustable delay)	0.2 to 3.2 sec.

<sup>1</sup> See page 109 for field install part numbers.

# WL Circuit Breaker

## Factory Installed Options<sup>1</sup>

The following items are available for WL cradles. Items are described to highlight the functional characteristics of these factory installed cradle options.

### Secondary disconnects

Secondary disconnects are used to interconnect external breaker control and signaling circuitry to the WL breakers factory wired circuitry. Three types of external connection terminals are available. 1. Screw connection, 2. Tension spring connection and, 3. Ring lug connection. **Tension spring connection terminals are standard for fixed mounted breakers.**



### Characteristics table

	Wire connection type	Number of wires and sizes
Secondary disconnects	Screw compression	1 x 14AWG or 2 x 16AWG
	Tension spring compression	2 x 14AWG
	Ring lug terminal	2 x 14AWG or 2 x 16AWG

### Isolation shutters

When removing a draw-out breaker from its connected position the primary contacts become exposed and more accessible to personnel in the breaker compartment. Isolation shutters reduce that accessibility to the primary terminals by automatically closing the access ports to the primary terminals whenever the breaker is disconnected or withdrawn. After removal of the breaker from its compartment, the shutters may be padlocked to inhibit manual shutter opening while breaker is not in the compartment.



### Modbus, Modbus TCP, PROFIBUS, and PROFINET IO communications

PROFIBUS or Modbus communication requires a COM15 or COM16 communications module to transmit WL breaker data to external PCs or PLC monitoring systems. External communication connection to either module is through a DB-9F connector.

Modbus TCP and PROFINET IO communication requires a COM35 communications module. External communication connection is through a RJ-45 Ethernet connection.



For more information on the capabilities of the WL communications modules, go to the literature tab of the WL breaker homepage

[www.usa.siemens.com/wl](http://www.usa.siemens.com/wl)

### Characteristics table

Operating voltage	24VDC
Peak inrush current	280mA
Max. continuous current	125mA
Ambient temperature	-25 to 70°C

### Dual key breaker locking

For draw-out breakers, a cradle-mounted breaker lockout device can be installed with either one or two independent key cylinders. The key is removable only when the breaker is locked open. Cradle-mounted key locks are commonly utilized for interlocking in open transition schemes, where paralleling certain sources is not desirable. Siemens offers the choice of unique, uncoordinated, Kirk and Superior key lock types. If a custom, coordinated key/cylinder is required, order the lock provision-only. The lock cylinder and matched key must then be ordered separately from the respective lock manufacturer.

The compatible Kirk cylinder lock part number is C-900-301. The compatible Superior cylinder lock part number is C-900.

For more information about interlocking possibilities, see the [Locking Provisions Application Guide](#) [www.usa.siemens.com/wl](http://www.usa.siemens.com/wl)



<sup>1</sup> See page 109 for field install part numbers.

# WL Circuit Breaker

## Cradle Factory Installed Options<sup>1</sup>

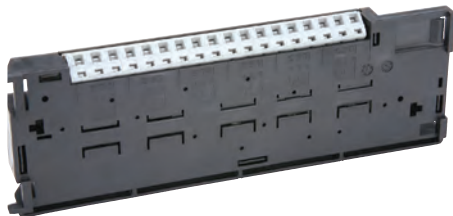
### Arc chute cover

The arc chute cover is available for isolating enclosure material or parts located above the circuit breaker where heat and exhaust gases may exit from the breakers arc chutes. Arc chute covers are not available for fixed mounted breakers and limited to select draw-out breaker types.



### TOC (Truck Operated Contacts)

For draw-out breaker applications a TOC device is available to provide remote indication of the circuit breakers primary and secondary contact connections (racking positions). When the breaker is racked into a connected, test or disconnected position, it activates TOC switches for external user circuits.



### MOC (Mechanism Operated Contacts)

Mechanism Operated Contacts (MOC) are a cradle mounted accessory which indicate the state of the breaker's internal contacts (open or closed). MOCs are typically utilized when additional auxiliary contacts are necessary – above and beyond the number configurable in the circuit breaker – although they may also be used in lieu of the internal auxiliary switches. Each MOC assembly includes 4 'a' and 4 'b' contacts. Two different MOC assemblies are available. One version operates when the circuit breaker is in both the "TEST" and "CONNECTED" positions, and the other version operates only when the circuit breaker is in the "CONNECTED" position.

Note per ANSI C37.20.10:

'a' contact: a contact that is open when the main device is in the standard reference position and that is closed when the device is in the opposite position.

'b' contact: a contact that is closed when the main device is in the standard reference position and that is open when the device is in the opposite position.



### Characteristics table

MOC contact configurations		4NO and 4NC
AC operation	Voltage	240VAC 50/60Hz
	Continuous current	10A
	Making current	30A
DC operation	Breaking current	3A
	Voltage	24, 125, 250VDC
	Making current	1.1A @ 125VDC, .55A @250VDC
	Breaking current	1.1A @ 125VDC, .55A @250VDC

TOC Switch	Breaker disconnected = primary and secondary contacts are disconnected	Breaker in test = primary contacts disconnected and secondary contacts connected	Breaker connected = primary and secondary contacts are connected
Option 1	1 form C contacts	1 form C contacts	1 form C contacts
Option 2	1 form C contacts	2 form C contacts	3 form C contacts
Option 3	0 form C contacts	0 form C contacts	6 form C contacts

TOC Contact Ratings	AC voltage	120, 240VAC
	AC continuous current	10A
	AC making/breaking current	6A@120V, 3A@240VAC
	DC voltage	24, 48, 125, 250VDC
	DC continuous current	6A, 1A, 1A
	DC making/breaking current	6A, 0.22A, 0.11A

<sup>1</sup> See page 109 for field install part numbers.



# WL Circuit Breaker

## Accessories

### Communication power supplies

For WL devices that require a 24VDC input we offer the Siemens SITOP power supply. The SITOP power supply is a class 2 rated devices suitable for supporting loads of 2.5 or 3.8 amps. DIN rail mounting provision and compression wire connections included. For loads of 2.5A maximum order part number **WLSITOP25** or **WLSITOP1** for 3.8A maximum loads.



### Electromagnetic Compatibility (EMC) Filter

The WL EMC filter resides between the electronic trip unit (ETU) and the current sensors, filtering out unwanted electromagnetic interference that could distort both protection and metering. Use of the filter is recommended when the breaker is applied in high-resistance grounded systems when variable-speed drives are the primary load. Order part number **WLEMCFILTER**.



### Handheld test device

To test the WL breakers ETU trip functions we offer a hand-held tester that checks:

- Sensor continuity
- Long-time function
- Short-time function
- Instantaneous function
- Neutral and ground fault function

During a test, the device will electrically trip the circuit breaker performing a full function test of the ETU and the trip actuator. Cables for 120VAC power supply and ETU connection is included with the tester. Order part number **WLTS**

For more information about the capabilities of this test set, see the [WLTS Application Guide](http://www.usa.siemens.com/wl). [www.usa.siemens.com/wl](http://www.usa.siemens.com/wl)



### Mechanical breaker interlocks

Mechanical interlock options are available for fixed or draw-out breakers. Interlocking is managed through cable connections between two or three breakers less than 6 meters apart. Lock kit includes 2.0 meter interlocking cable and mechanism for mounting to a single breaker.

For fixed breaker frame size 1 order part number **WLNTLKF1**  
For fixed breaker frame size 2 or 3, order part number **WLNTLKF23**

For draw-out breaker frame size 1, 2, or 3, order part number **WLNTLK**

For more information about interlocking possibilities, see the [Locking Provisions Application Guide](http://www.usa.siemens.com/wl). [www.usa.siemens.com/wl](http://www.usa.siemens.com/wl)



For alternate cable lengths, order part number

3.0 meter	<b>WLNTLWRE3</b>
4.5 meter	<b>WLNTLWRE4</b>
6.0 meter	<b>WLNTLWRE5</b>

# WL Circuit Breaker

## Accessories

### Metering current transformer 3-phase window (cradle mounting only)

For draw-out breaker applications, a three phase metering CT is available. Termination screws are integral to the mold for point-to-point wiring without the use of terminal blocks or wire couplers. Metering ratios range from 800:5 to 5000:5. CTs include mounting hardware.



### Metering current transformer – single phase

A single piece housing that is compact and designed to fit around phase or neutral bussing. Termination screws are integral to the mold for point-to-point wiring without the use of terminal blocks or wire couplers. Metering ratios range from 800:5 to 5000:5.



#### For frame size 1 and 2 order part numbers:

800:5 Rating	WLG8005MCT2
1200:5 Rating	WLG12005MCT2
1600:5 Rating	WLG16005MCT2
2000:5 Rating	WLG20005MCT2
2500:5 Rating	WLG25005MCT2
3200:5 Rating	WLG32005MCT2

#### For frame size 3 order part numbers:

3200:5 Rating	WLG32005MCT3
4000:5 Rating	WLG40005MCT3
5000:5 Rating	WLG50005MCT3

#### For frame size 1, 2 or 3, order part numbers:

800:5 Rating	WLG800NMCT23
1200:5 Rating	WLG1200NMCT23
1600:5 Rating	WLG1600NMCT23
2000:5 Rating	WLG2000NMCT23
2500:5 Rating	WLG2500NMCT23
3000:5 Rating	WLG3000NMCT23
3200:5 Rating	WLG3200NMCT23
4000:5 Rating	WLG4000NMCT23
5000:5 Rating	WLG5000NMCT23

### 4-Wire Modified Differential Ground Fault (MDGF)

For MDGF draw-out breaker applications, a three phase iron-core CT is available. The MDGF CTs are physically the same as the above metering CTs but the current ratio is 1200:1.

For frame size 2, breakers order part number:  
1200:1 rating **WLGMDGFCT2 Phase CT**

For frame size 3, breakers order part number:  
1200:1 rating **WLGMDGFCT3 Phase CT**

For frame size 2 and 3, neutral CT order part number:  
1200:1 rating **WLGNDMGCT23 Neutral CT**

A typical application for modified differential ground fault is 'Main-Tie-Main' where all breakers require 3 Phase CTs and a neutral CT.

For more information about ground fault protection, see the [Ground Fault Application Guide](http://www.usa.siemens.com/wl). [www.usa.siemens.com/wl](http://www.usa.siemens.com/wl)

# WL Circuit Breaker

## Accessories

### Neutral current sensor – 4-wire residual ground fault

For 4-wire residual ground fault protection we offer neutral current sensors with or without bus bar coupling. The sensors are comparable to the sensors used within the breaker and connected to the ETU. This sensor must also be wired to the ETU through designated secondary disconnects on the breaker.

Without copper bus adapters:

3" max bus bar width order part number **WLNCT2**

3 - 5" bus bar width order part number **WLNCT3**

With copper bus adapters:

3" max bus bar width order part number **WLNCT2CB**

3 - 5" bus bar width order part number **WLNCT3CB**



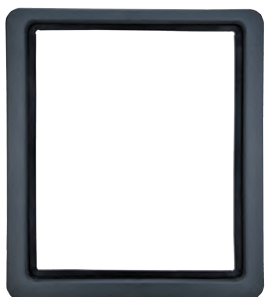
### Breaker door cover

A transparent hinged door cover is available to provide IP55 protection. Provision for padlocking included. Fits frame size 2 and 3 breakers. Order part number **WLPGC**



### Door sealing frame

For openings around the door cutout of the breaker, this rubber door trim is available. For frame size 2 and 3 breakers only. Order part number **WLDSF**



### Breaker lifting

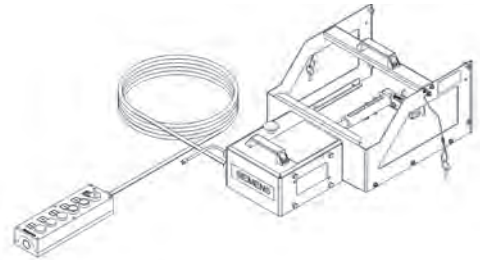
The breaker lifting yolk is designed to transport the WL breaker when using a hoist or other lifting equipment. The device is expandable to conform to all three WL frame sizes and easily attaches to specified lift points on the breaker. Order part number **WLLFT** (3-pole) and **WLLFT4** (4-pole)



For more information, see the Recommended Practice for Using the [WL Telescopic Lifting Yokes](http://www.usa.siemens.com/wl). [www.usa.siemens.com/wl](http://www.usa.siemens.com/wl)

### Remote Breaker Racking Device

Provides the ability to safely rack WL breakers into the Connect, Test and Disconnect positions from 30 feet away from the breaker, allowing the operator to be outside the arc flash boundary which provides additional personnel protection. **WLRBRD**



### Door Bracket Kit, Remote Breaker Racking Device

In order to mount the remote breaker racking device on existing gear, this retrofit door bracket kit and the **WLRBRDTEMPL** must be ordered. **WLRBRDKIT**

### Remote Breaker Racking Device Door Bracket Install Template

In order to mount the remote breaker racking device on existing gear, this mounting template and the **WLRBRDKIT** must be ordered. **WLRBRDTEMPL**

### Breaker Hoist

This device acts as a hoist for the WL breaker, allowing it to be carried using a forklift or similar device. **WLHOIST**





# WL Circuit Breaker

## Accessories

### CubicleBUS modules

External CubicleBUS modules enable the WL Circuit Breaker a way to interface with external switchgear controls or building management systems. They can be used, for example, to activate analog displays or devices, transmit circuit breaker status and cause of trip, or read external device control signals. One module is suitable for zone-selective interlocking main and branch breakers.

Three different CubicleBUS modules can output data from the CubicleBUS system (two digital output modules and one analog output module). A digital input module can transmit data from the switchgear or system to a PROFIBUS/Modbus master device like a power meters or logic controllers.

For more information about the capabilities of CubicleBUS modules, see the [WL Communications Manual](#).  
[www.usa.siemens.com/wl](http://www.usa.siemens.com/wl)

**Digital Output Module with Rotary Switch** – The digital output module can be used to output six events. These events can be warnings or trips and can be used for external annunciation or control. The load shedding and load restoring signals can enable a load to be switched ON or OFF automatically. Voltages of up to 250V AC/DC are possible. The relay contacts are isolated.

Relay Digital Output Module: Order part number **WLRLYCUB**



### Digital input module

The digital input module enables up to six additional binary signals (24V DC) to be connected. Signals, such as breaker status, arc-flash current reduction, over-temperature conditions or control circuit status switchgear, can be transmitted directly to the power monitoring network.

A total of 6 inputs are available in the "BUS Input" Switch position. Six inputs are also available if the rotary switch is in the "Parameter Switch" position, although the first input causes the active parameter set to change. If the connected ETU does not have two parameter set capability (e.g. ETU745), this input can also be used without any restrictions.

Digital Input Module: Order part number **WLDGNCUB**



### ZSI module

To use the ZSI function with the WL Circuit Breaker, the external CubicleBUS ZSI module must be implemented. The zone selective interlocking (ZSI) module provides the complete range of selectivity with the short delay time of  $t_{ZSI} = 50$  ms, irrespective of the number of levels and the location of the short-circuit in a distribution system. Its benefits become even more apparent, the higher the number of levels in large systems and the longer the resulting delay times. By shortening the time, the ZSI module significantly reduces stress and damage in the event of a short-circuit in the switchgear.

Zone Selective Interlocking Module: Order part number **WLZSIMD**



### Analog output module

The analog output module can be used to output the most important measured values sent via the CubicleBUS to analog indicators (e.g. analog meters) in the switchgear cubicle door. Each analog output module has four channels for this purpose. The signals are available at two physical interfaces: a 4 ... 20mA and a 0 ... 10V interface.

Analog output module: order part number **WLANLGCUB**



### Pre-assembled CubicleBUS communication cables (RJ45-M connections)

1 meter length: order part number **WLCBUSCABLE1**

2 meter length: order part number **WLCBUSCABLE2**

4 meter length: order part number **WLCBUSCABLE4**

9 meter length: order part number **WLCBUSCABLE9**

# WL Circuit Breaker

## Accessories

### Fixed-mounted breaker front bus connectors

Front connector bus kits are available for adapting WL breaker primary mounting stabs to a standard NEMA bussing and bolt-hole pattern. NEMA bolt connection is accessible from the front of the breaker for ease of installation or removal of breaker inside an enclosure. Kit includes the required bus and hardware for mounting one 3-pole set of adapters to a breaker.

For frame size 1, 2 or 3, order part numbers:	
Frame size 1, 1200A frame, 85 kAIC at 480V	WLH1F12CONUL
Frame size 2, 1600A frame, 100kAIC at 480V	WLL2F16CONUL
Frame size 2, 2000A frame, 100kAIC at 480V	WLL2F20CONUL
Frame size 2, 2500A frame, 100kAIC at 480V	WLL2F25CONUL
Frame size 3, 4000 to 5000A frame, 100kAIC at 480V	WLL3F50CONUL



**Mechanical lug connector kits** are available for connecting 800 to 2000A WL front connector bus kits (sold separately) to power cables.

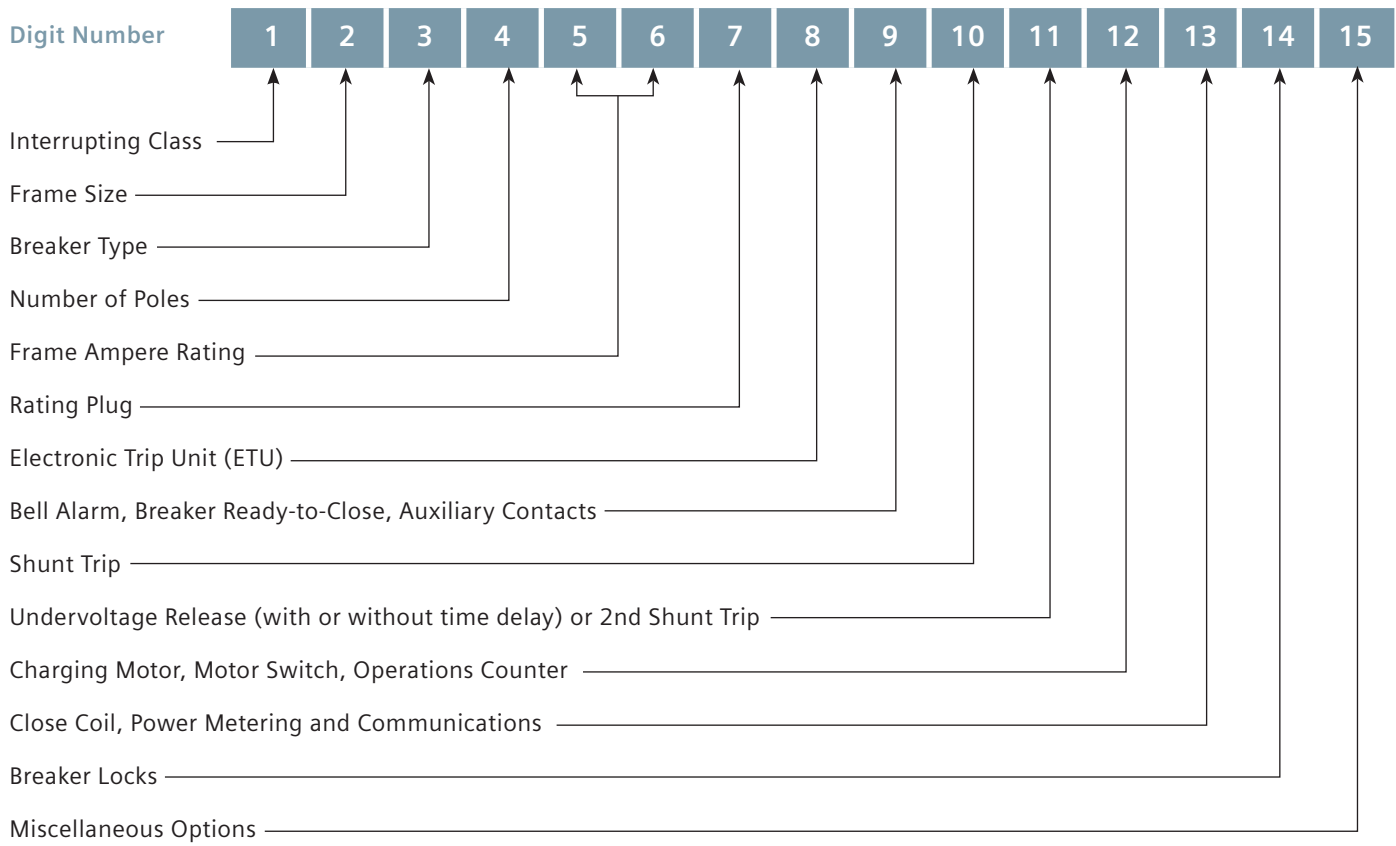
For frame size 1, 2 or 3, order part numbers:	
Frame size 1, 1200A max, 65 kAIC at 480V	WLS2P12CONUL
Frame size 2, 1600A/2000A 65 kAIC at 480V	WLS2P20CONUL

**Fixed mounted breaker rear bus connector kits** are available for adapting WL breaker primary mounting stabs to a standard NEMA bussing and bolt-hole pattern. Adapters also rotate the primary breaker connections by 90° for vertical bus arrangement. Bolted connections are accessible from the rear of the breaker. Kit includes the required bus and hardware for mounting one 3-pole set of adapters to a breaker.

For frame size 1, 2 or 3, order part numbers:	
Frame size 1, up to 2000A frame, 85 kAIC at 480	WLH1R12CONUL
Frame size 2, 1600A frame, 100 kAIC at 480V	WLL2R16CONUL
Frame size 2, 2000A frame, 100 kAIC at 480V	WLL2R20CONUL
Frame size 2, 3000A frame, 100 kAIC at 480V	WLL2R30CONUL
Frame size 2, 800A to 3000A frame, 150 kAIC at 480V rated breaker only	WLC2R30CONUL
Frame size 3, 4000A to 5000A frame, 100 kAIC at 480V	WLL3R50CONUL

# WL Power Circuit Breaker

## WL Catalog Numbering Overview



# WL Insulated Case Circuit Breaker

## Ratings for UL489 Listed Breakers

WL frame ratings – frame size 1		800A			1200A			1600A			2000A		
Rating Class		S	H	L	S	H	L	S	H	L	S	H	L
Interrupting current frame I <sub>cs</sub> (kAIR RMS) 50/60 Hz	240VAC	65	85	100	65	85	100	65	85	100	65	85	100
	480VAC	65	85	100	65	85	100	65	85	100	65	85	100
	600VAC	65	65	65	65	65	65	65	65	65	65	65	65
Short-time current I <sub>cw</sub> (kA RMS)	0.4 sec.	65	65	65	65	65	65	65	65	65	65	65	65
Extended instantaneous protection rating (kA RMS)	480VAC	65	85	100	65	85	100	65	85	100	65	85	100
	600VAC	65	65	65	65	65	65	65	65	65	65	65	65
Close and latch rating (kA RMS)		65	65	65	65	65	65	65	65	65	65	65	65
Applicable rating plug range		200 - 800A			200 - 1200A			200 - 1600A			200 - 2000A		
Mechanical make-time (ms)		35			35			35			35		
Mechanical break-time (ms)		34			34			34			34		
Electric close make-time (ms)		50			50			50			50		
Electric trip/ UV break-time (ms)		40/73			40/73			40/73			40/73		
Electric trip and reclose interval (ms)		80			80			80			80		
Mechanical duty cycles (no maint.)		7500			7500			7500			7500		
Electrical duty cycles (no maint.)		7500			7500			7500			7500		
Draw-out breaker efficiency (Watts loss at I <sub>n</sub> )		80			180			350			530		
Fixed-mount breaker efficiency (Watts loss at I <sub>n</sub> )		60			120			160			270		
Ambient operating temperature (°C)		-25 to 40			-25 to 40			-25 to 40			-25 to 40		

WL frame ratings – frame size 2		800A			1200A			1600A			2000A			2500A		3000A	
Rating Class		S	L	C	S	L	C	S	L	C	S	L	C	L	C	L	C
Interrupting current frame I <sub>cs</sub> (kAIR RMS) 50/60 Hz	240VAC	65	100	150	65	100	150	65	100	150	65	100	150	100	150	100	150
	480VAC	65	100	150	65	100	150	65	100	150	65	100	150	100	150	100	150
	600VAC	65	85	100	65	85	100	65	85	100	65	85	100	85	100	85	100
Short-time current I <sub>cw</sub> (kA RMS)	0.4 sec.	65	85	100	65	85	100	65	85	100	65	85	100	85	100	85	100
Extended instantaneous protection rating (kA RMS)	480VAC	65	100	150	65	100	150	65	100	150	65	100	150	100	150	100	150
	600VAC	65	85	100	65	85	100	65	85	100	65	85	100	85	100	85	100
Close and latch rating (kA RMS)		65	85	100	65	85	100	65	85	100	65	85	100	85	100	85	100
Applicable rating plug range		200 - 800A			200 - 1200A			200 - 1600A			200 - 2000A			200 - 2500A		200 - 3000A	
Mechanical make-time (ms)		35			35			35			35			35		35	
Mechanical break-time (ms)		34			34			35			34			34		34	
Electric close make-time (ms)		50			50			50			50			50		50	
Electric trip/ UV break-time (ms)		40/73			40/73			40/73			40/73			40/73		40/73	
Electric trip and reclose interval (ms)		80			80			80			80			80		80	
Mechanical duty cycles (no maint.)		10,000 (5000 for Class C)			10,000 (5000 for Class C)			10,000 (5000 for Class C)			10,000 (5000 for Class C)			10,000 (5000 for Class C)		10,000 (5000 for Class C)	
Electrical duty cycles (no maint.)		7500 (5000 for Class C)			7500 (5000 for Class C)			7500 (5000 for Class C)			4000			4000		4000	
Draw-out breaker efficiency (Watts loss at I <sub>n</sub> )		85			150			320			500			680		1000	
Fixed-mount breaker efficiency (Watts loss at I <sub>n</sub> )		40			80			120			230			320		480	
Ambient operating temperature (°C)		-25 to 40			-25 to 40			-25 to 40			-25 to 40			-25 to 40		-25 to 40	

**Note:** Frame Size 1 H-Class only for switches

## WL Insulated Case Circuit Breaker

### Ratings for UL489 Listed Breakers

WL frame ratings – Frame size 3		4000A		5000A	
Rating Class		L	C	L	C
Interrupting current frame Ics (kAIR RMS) 50/60 Hz	240VAC	100	150	100	150
	480VAC	100	150	100	150
	600VAC	85	100	85	100
Short-time current Icw (kA RMS)	0.4 sec.	85	100	85	100
Extended instantaneous protection rating (kA RMS)	480VAC	100	150	100	150
	600VAC	85	100	85	100
Close and latch rating (kA RMS)		85	100	85	100
Applicable rating plug range		800 - 4000A		800 - 5000A	
Mechanical make-time (ms)		35		35	
Mechanical break-time (ms)		34		34	
Electric close make-time (ms)		50		50	
Electric trip/ UV break-time (ms)		40/73		40/73	
Electric trip and reclose interval (ms)		80		80	
Mechanical duty cycles (no maint.)		5000		5000	
Electrical duty cycles (no maint.)		2000		2000	
Draw-out breaker efficiency (Watts loss at In)		1100		1100	
Fixed-mount breaker efficiency (Watts loss at In)		580		580	
Ambient operating temperature (°C)		-25 to 40		-25 to 40	

### Ratings for UL489 Listed non-automatic switches

WL frame ratings		Frame size 1 800-2000A	Frame size 2 800 - 3000A	Frame size 3 4000/5000A
Rating Class		L	L	L
Breaking capacity with external relay (kA RMS) 50/60 Hz, instantaneous trip	240VAC	100	100	100
	480VAC	100	100	100
	600VAC	85	85	85
Short-time current Icw (kA RMS)	0.4 sec.	85	85	85

# WL Insulated Case Circuit Breaker

UL 489 Listed Catalog Number

## Interrupting rating, frame size, breaker type and frame rating

Note: Cradle must be ordered separately for drawout breaker types (see page 39)

Class	Interrupt rating (kA)		Frame Max ampere rating (A)1	Frame size			Breaker type		Breaker catalog number																			
	240VAC 480VAC	600VAC		1	2	3	Fixed mount	Drawout	↑	↑	↑	↑	↑	↑	↑	↑	↑	↑	↑	↑	↑	↑	↑	↑	↑	↑	↑	
S	65	65	800	X			X		S	1	F	3	0	8														
S	65	65	800		X		X		S	2	F	3	0	8														
S	65	65	800	X				X	S	1	D	3	0	8														
S	65	65	800		X			X	S	2	D	3	0	8														
S	65	65	1200	X			X		S	1	F	3	1	2														
S	65	65	1200		X		X		S	2	F	3	1	2														
S	65	65	1200	X				X	S	1	D	3	1	2														
S	65	65	1200		X			X	S	2	D	3	1	2														
S	65	65	1600	X			X		S	1	F	3	1	6														
S	65	65	1600		X		X		S	2	F	3	1	6														
S	65	65	1600	X				X	S	1	D	3	1	6														
S	65	65	1600		X		X		S	2	D	3	1	6														
S	65	65	2000	X			X		S	1	F	3	2	0														
S	65	65	2000		X		X		S	2	F	3	2	0														
S	65	65	2000	X				X	S	1	D	3	2	0														
S	65	65	2000		X		X		S	2	D	3	2	0														
L	100	65	800	X			X		L	1	F	3	0	8														
L	100	85	800		X		X		L	2	F	3	0	8														
L	100	65	800	X				X	L	1	D	3	0	8														
L	100	85	800		X			X	L	2	D	3	0	8														
L	100	65	1200	X			X		L	1	F	3	1	2														
L	100	85	1200		X		X		L	2	F	3	1	2														
L	100	65	1200	X				X	L	1	D	3	1	2														
L	100	85	1200		X			X	L	2	D	3	1	2														
L	100	65	1600	X			X		L	1	F	3	1	6														
L	100	85	1600		X		X		L	2	F	3	1	6														
L	100	65	1600	X				X	L	1	D	3	1	6														
L	100	85	1600		X			X	L	2	D	3	1	6														
L	100	65	2000	X			X		L	1	F	3	2	0														
L	100	85	2000		X		X		L	2	F	3	2	0														
L	100	65	2000	X				X	L	1	D	3	2	0														
L	100	85	2000		X			X	L	2	D	3	2	0														
L	100	85	2500		X		X		L	2	F	3	2	5														
L	100	85	2500		X			X	L	2	D	3	2	5														
L	100	85	3000		X		X		L	2	F	3	3	0														
L	100	85	3000			X		X	L	2	D	3	3	0														
L	100	85	4000			X	X		L	3	F	3	4	0														
L	100	85	4000			X		X	L	3	D	3	4	0														
L	100	85	5000			X	X		L	3	F	3	5	0														
L	100	85	5000			X		X	L	3	D	3	5	0														
C	150	100	800		X		X		C	2	F	3	0	8														
C	150	100	800		X			X	C	2	D	3	0	8														
C	150	100	1200		X		X		C	2	F	3	1	2														
C	150	100	1200		X			X	C	2	D	3	1	2														
C	150	100	1600		X		X		C	2	F	3	1	6														
C	150	100	1600		X			X	C	2	D	3	1	6														
C	150	100	2000		X		X		C	2	F	3	2	0														
C	150	100	2000		X			X	C	2	D	3	2	0														
C	150	100	2500		X		X		C	2	F	3	2	5														
C	150	100	2500		X			X	C	2	D	3	2	5														
C	150	100	3000		X		X		C	2	F	3	3	0														
C	150	100	3000		X			X	C	2	D	3	3	0														
C	150	100	4000			X	X		C	3	F	3	4	0														
C	150	100	4000			X		X	C	3	D	3	4	0														
C	150	100	5000			X	X		C	3	F	3	5	0														
C	150	100	5000			X		X	C	3	D	3	5	0														

# WL Insulated Case Circuit Breaker

UL 489 Listed Catalog Number

## Rating Plug

Breaker catalog number

Maximum continuous current rating	For use with frame size			Breaker catalog number															
	1	2	3	1	2	3	4	5	6	7	8	9	10	11	12	13	14	15	
200	X	X																	A
225	X	X																	B
250	X	X																	C
300	X	X																	D
315	X	X																	E
350	X	X																	F
400	X	X																	G
450	X	X																	H
500	X	X																	J
600	X	X																	K
630	X	X																	L
700	X	X																	M
800	X	X	X																N
1000	X	X	X																P
1200	X	X	X																Q
1250	X	X	X																R
1600	X	X	X																T
2000	X	X	X																U
2500		X	X																V
3000		X	X																W
3200			X																Y
4000			X																Z
5000			X																1

## Electronic trip unit (ETU)<sup>1)</sup>

Trip unit models	Function			LCD display Alpha num.	Ground fault		EMC filter	
	L	S	I		Alarm	Trip		
ETU745	X	(X)	(X)					C
ETU745	X	(X)	(X)	X				D
ETU745	X	(X)	(X)		X			E
ETU745	X	(X)	(X)	X	X			F
ETU745	X	(X)	(X)		X	X		G
ETU745	X	(X)	(X)	X	X	X		H
ETU745	X	(X)	(X)				X	3
ETU745	X	(X)	(X)	X			X	4
ETU745	X	(X)	(X)		X		X	5
ETU745	X	(X)	(X)	X	X		X	6
ETU745	X	(X)	(X)		X	X	X	7
ETU745	X	(X)	(X)	X	X	X	X	8
ETU776	X	(X)	(X)					V
ETU776	X	(X)	(X)		X			W
ETU776	X	(X)	(X)		X	X		Y
ETU776	X	(X)	(X)				X	M
ETU776	X	(X)	(X)		X		X	Z
ETU776	X	(X)	(X)		X	X	X	1

(X) Indicates function can be disabled by user

1 Neutral protection "N" is available as standard.



# WL Insulated Case Circuit Breaker

UL 489 Listed Catalog Number

Bell alarm, breaker ready-to-close, auxiliary contacts					Breaker catalog number																
					1	2	3	4	5	6	7	8	9	10	11	12	13	14	15		
Bell alarm		Form C contacts	Breaker ready-to-close 1b contact	Breaker open/close auxiliary switches																	
Remote reset coil voltage	AC			DC	2a + 2b	4a + 4b															
																				None	X
		X																			A
			X																		B
					X																C
								X													D
		X	X																		E
		X						X													F
		X							X												G
			X					X													H
			X						X												I
		X	X					X													J
		X	X						X												K
	24	X																			L
	48	X																			M
120	125	X																			N
240	250	X																			O
	24	X	X																		P
	48	X	X																		Q
120	125	X	X																		R
240	250	X	X																		S
	24	X						X													T
	48	X						X													U
120	125	X						X													V
240	250	X						X													W
	24	X								X											Y
	48	X								X											Z
120	125	X								X											1
240	250	X								X											2
	24	X	X					X													3
	48	X	X					X													4
120	125	X	X					X													5
240	250	X	X					X													6
	24	X	X							X											7
	48	X	X							X											8
120	125	X	X							X											9
240	250	X	X							X											0

## Shunt trip

Operation voltage		Status contact	Continuous duty coil (electrical interlock)																				
AC	DC																						
	24																					None	X
	48																						A
120	125																						B
240	250																						C
	24	X																					D
	48	X																					E
120	125	X																					F
240	250	X																					G
	24							X															H
	48							X															I
120	125							X															J
240	250							X															K
	24	X						X															L
	48	X						X															M
120	125	X						X															N
240	250	X						X															O
	24	X						X															P
120	125	X						X															Q
240	250	X						X															R
	24	X						X															S

# WL Insulated Case Circuit Breaker

UL 489 Listed Catalog Number

Undervoltage Release (with or without time delay) or 2nd Shunt Trip					Breaker catalog number														
					1	2	3	4	5	6	7	8	9	10	11	12	13	14	15
Operation voltage		UVR without delay	UVR with delay	UVR status <sup>1</sup> contact (1NO)	2nd shunt trip														
AC	DC																		
					None											X			
	24	X														A			
	48	X														B			
120	125	X														C			
240	250	X														D			
	48		X													E			
120	125		X													F			
240	250		X													G			
	24				X											H			
	48				X											J			
120	125				X											K			
240	250				X											L			
	24	X		X												M			
	48	X		X												N			
120	125	X		X												P			
240	250	X		X												Q			
	48		X	X												R			
120	250		X	X												S			
240	250		X	X												T			

## Charging motor, motor switch, operations counter

Charging motor operation voltage		Motor cut-off switch	Operations counter											
AC	DC													
				None										X
	24													A
	48													B
120	125													C
240	250													D
	24	X												E
	48	X												F
120	125	X												G
240	250	X												H
	24		X											J
	48		X											K
120	125		X											L
240	250		X											M
	24	X	X											N
	48	X	X											P
120	125	X	X											Q
240	250	X	X											R

<sup>1</sup> Status contact is only available when Communications is not installed on breaker. Signal is sent via communications in lieu of status contact.

# WL Insulated Case Circuit Breaker

UL 489 Listed Catalog Number

Close coil, power metering and communications					Breaker catalog number															
					1	2	3	4	5	6	7	8	9	10	11	12	13	14	15	
Close coil operation voltage		Power metering capable	Modbus	PROFIBUS	Modbus TCP/ / PROFINET															
AC	DC					None												X		
	24																	A		
	48																	B		
120	125																	C		
240	250																	D		
			X															G		
				X														H		
					X													E		
	24		X															N		
	24			X														P		
	48		X															S		
	48			X														T		
120	125		X															W		
120	125			X														Y		
120	125				X													J		
240	250		X															2		
240	250			X														3		
	24	X	X															Q		
	48	X	X															U		
120	125	X	X															Z		
240	250	X	X															4		
	24	X		X														R		
	24	X			X													6		
	48	X		X														V		
	48	X			X													7		
120	125	X		X														1		
120	125	X			X													9		
240	250	X		X														5		
240	250	X			X													O		
		X	X															L		
		X		X														M		
		X																F		
		X			X													K		
120	125	X																8		

## Breaker locks

Key lock breaker OPEN position (lock type – KIRK) <sup>1</sup>	Key lock breaker OPEN position (lock type – SUPERIOR) <sup>1</sup>	Padlock provisions for OPEN and CLOSE push buttons <sup>2</sup>	Padlock provisions for charging handle <sup>2</sup>															
				None												X		
X																		A
		X																C
			X															E
	X																	F
X		X																G
	X	X																J
X			X															S
	X			X														U
		X	X															V
X		X	X															W
	X	X	X															Z

## Miscellaneous options

Key lock breaker OPEN position (provision only) <sup>2</sup>	Manual trip reset ETU (Automatic trip reset is standard)																	
		None												N				
X																		B
		X																C
X		X																D

<sup>1</sup> Custom key locks are not available and must be supplied by others. Order key lock provision if custom if keyed alike locks are required.

<sup>2</sup> Locks provided by others.

# WL Insulated Case Switch

## UL 489 Listed Non-automatic Catalog Number

Breaking capacity, frame size, switch type and frame rating									Switch catalog number														
									1	2	3	4	5	6	7	8	9	10	11	12	13	14	15
Class	Breaking capacity (kA)		Frame Max ampere rating (A)	Frame size			Switch type			↑	↑	↑	↑	↑	↑	↑	↑	↑	↑	↑			
	240VAC 480VAC	600VAC		1	2	3	Fixed mounted	drawout															
L	100	85	800	X			X		L	1	Y	3	0	8	S	S							
L	100	85	800	X				X	L	1	Z	3	0	8	S	S							
L	100	85	1200	X			X		L	1	Y	3	1	2	S	S							
L	100	85	1200	X				X	L	1	Z	3	1	2	S	S							
L	100	85	1600	X			X		L	1	Y	3	1	6	S	S							
L	100	85	1600	X				X	L	1	Z	3	1	6	S	S							
L	100	85	2000	X			X		L	1	Y	3	2	0	S	S							
L	100	85	2000	X				X	L	1	Z	3	2	0	S	S							
L	100	85	800		X		X		L	2	Y	3	0	8	S	S							
L	100	85	800		X			X	L	2	Z	3	0	8	S	S							
L	100	85	1600		X		X		L	2	Y	3	1	6	S	S							
L	100	85	1600		X			X	L	2	Z	3	1	6	S	S							
L	100	85	2000		X		X		L	2	Y	3	2	0	S	S							
L	100	85	2000		X			X	L	2	Z	3	2	0	S	S							
L	100	85	2500		X			X	L	2	Y	3	2	5	S	S							
L	100	85	2500		X			X	L	2	Z	3	2	5	S	S							
L	100	85	3000		X		X		L	2	Y	3	3	3	S	S							
L	100	85	3000		X		X		L	2	Z	3	3	0	S	S							
L	100	85	4000		X		X		L	3	Y	3	4	0	S	S							
L	100	85	4000			X		X	L	3	Z	3	4	0	S	S							
L	100	85	5000			X	X		L	3	Y	3	5	0	S	S							
L	100	85	5000			X		X	L	3	Z	3	5	0	S	S							

### Ready-to-close and auxiliary contacts

Ready-to-close 1b contact	Breaker open/close auxiliary switches			
	2a + 2b	4a + 4b		
			None	X
X				B
	X			C
		X		D
X	X			H
X		X		I

# WL Insulated Case Switch

UL 489 Listed Non-automatic Catalog Number

Shunt trip					Switch catalog number																					
					1	2	3	4	5	6	7	8	9	10	11	12	13	14	15							
Operation voltage		Status contact <sup>1</sup>	Shunt trip	Continuous duty rated (electrical interlock)																						
AC	DC																									
					None										X											
	24		X												A											
	48		X												B											
120	125		X												C											
240	250		X												D											
	24	X	X												E											
	48	X	X												F											
120	125	X	X												G											
240	250	X	X												H											
	24			X											J											
	48			X											K											
120	125			X											L											
240	250			X											M											
	24	X		X											N											
	48	X		X											P											
120	125	X		X											R											
240	250	X		X											S											

## Undervoltage release (with or without time delay) or 2nd shunt trip

Operation voltage		UVR without delay	UVR with delay	UVR status <sup>1</sup> contact (1NO)	2nd shunt trip																						
AC	DC																										
						None										X											
	24	X														A											
	48	X														B											
120	125	X														C											
240	250	X														D											
	48		X													E											
120	125		X													F											
240	250		X													G											
	24				X											H											
	48				X											J											
120	125				X											K											
240	250				X											L											
	24	X		X												M											
	48	X		X												N											
120	125	X		X												P											
240	250	X		X												Q											
	48		X	X												R											
120	250		X	X												S											
240	250		X	X												T											

<sup>1</sup> Status contact is only available when communication is not installed. Signal is sent via communications in lieu of status contact.

# WL Insulated Case Switch

UL 489 Listed Non-automatic Catalog Number

Charging motor, motor switch and operation counter				Switch catalog number														
				1	2	3	4	5	6	7	8	9	10	11	12	13	14	15
Charging motor operation voltage		Motor cut-off switch	Operations counter															
AC	DC			None											X			
	24														A			
	48														B			
120	125														C			
240	250														D			
	24	X													E			
	48	X													F			
120	125	X													G			
240	250	X													H			
	24		X												J			
	48		X												K			
120	125		X												L			
240	250		X												M			
	24	X	X												N			
	48	X	X												P			
120	125	X	X												Q			
240	250	X	X												R			

## Close coil, communications

Close coil operation voltage		Power metering capable	Modbus <sup>1</sup>	PROFIBUS <sup>1</sup>	Modbus TCP / PROFINET <sup>1</sup>															
AC	DC					None											X			
	24																A			
	48																B			
120	125																C			
240	250																D			
			X														G			
				X													H			
					X												E			
	24		X														N			
	24			X													P			
	48		X														S			
	48			X													T			
120	125		X														W			
120	125			X													Y			
120	125				X												J			
240	250		X														2			
240	250			X													3			
120	125	X															8			

<sup>1</sup> Requires 24VDC power supply. Power metering not available on non-automatic switches and BSS is included.



# WL Insulated Case Switch

UL 489 Listed Non-automatic Catalog Number

Switch locks				Switch catalog number														
				1	2	3	4	5	6	7	8	9	10	11	12	13	14	15
Key lock switch OPEN position (lock type – KIRK) <sup>1</sup>	Key lock switch OPEN position (lock type – SUPERIOR) <sup>1</sup>	Padlock provisions for OPEN and CLOSE push buttons <sup>2</sup>	Padlock provisions for charging handle	None													X	
X																	A	
		X															C	
			X														E	
	X																F	
X		X															G	
	X	X															J	
X			X														S	
	X		X														U	
		X	X														V	
X		X	X														W	
	X	X	X														Z	
Miscellaneous options																		
Key lock switch OPEN position (provision only) <sup>2</sup>				None													N	
X																	B	

<sup>1</sup> Custom key locks are not available and must be supplied by others. Order Key Lock Provisions if custom keys or keyed alike locks are required.

<sup>2</sup> Padlock provided by others.

# WL Insulated Case Circuit Breaker

## UL 489 Listed Accessories

### External breaker accessories

Description		Catalog number
<b>Front mount connectors for fixed breakers</b>		
FS1, 85kAIC at 480V max.	800A, 1200A	WLHF12CONUL
FS2, 100kAIC at 480V max.	1600A	WLL2F16CONUL
FS2, 100kAIC at 480V max.	2000A	WLL2F20CONUL
FS2, 100kAIC at 480V max.	3000A	WLL2F30CONUL
FS3, 100kAIC at 480V max.	4000A, 5000A	WLL3F50CONUL
<b>Mechanical lug</b>		
FS1, 65kAIC at 480V max	800A, 1200A	WLS2P12CONUL
FS2, 65kAIC at 480V max	1600A, 2000A	WLS2P20CONUL
<b>Rear vertical connectors</b>		
FS1, 100kAIC at 480V max	800A, 1200A, 1600A, 2000A	WLH1R12CONUL
FS2, 100kAIC at 480V max	800A, 1200A, 1600A	WLL2R16CONUL
FS2, 100kAIC at 480V max	2000A	WLL2R20CONUL
FS2, 1100kAIC at 480V max	2500A, 3000A	WLL2R30CONUL
FS2, 150kAIC at 480V max	800A, 1200A, 1600A, 2000A, 2500A, 3000A	WLC2R30CONUL
FS3, 150kAIC at 480V max	4000A, 5000A	WLC3R50CONUL
<b>Single phase CTs for metering, 5A secondary</b>		
Rating:	800:5	WLG800NMCT23
Rating:	1200:5	WLG1200NMCT23
Rating:	1600:5	WLG1600NMCT23
Rating:	2000:5	WLG2000NMCT23
Rating:	2500:5	WLG2500NMCT23
Rating:	3000:5	WLG3000NMCT23
Rating:	4000:5	WLG4000NMCT23
Rating:	5000:5	WLG5000NMCT23
<b>Modified differential ground fault (MDGF) CTs</b>		
Modified differential GF	(FS2 1200:1) Phase CT	WLGMDGFCT2
Modified differential GF	(FS3 1200:1) Phase CT	WLGMDGFCT3
Modified differential GF	(FS2 and FS3 1200:1) Neutral CT	WLGNMDFCT23
<b>4-wire residual ground fault sensor</b>		
Without copper bus adapters (pass-thru mount) - for 3" max bus bar		WLNCT2
Without copper bus adapters (pass-thru mount) - for 3 - 5" max bus bar		WLNCT3
With copper bus adapters for bus bar connection - for 3" max bus bar		WLNCT2CB
With copper bus adapters for bus bar connection - for 3 - 5" max bus bar		WLCNMDGCT23
<b>Mechanical interlocks</b>		
Fixed mounted breaker (FS1)		WLNTLKF1
Fixed mounted breaker (FS2 and FS3)		WLNTLKF23
<b>Miscellaneous external accessories</b>		
Crimp lugs for 10# AWG secondary wiring (package of 70)		WL10RL
Auxiliary contact on drawout breaker (knife block)		WLCNMD
24V DC trip unit and communications power supply, 2.5A SITOP power, Class 2		WLSITOP25
24V DC trip unit and communications power supply 3.8A SITOP power, Class 2		WLSITOP1
Optional metric inserts and bolts for breaker mains (4 each) M8x25 for FS1 and FS2		WLMETRC
Optional metric inserts and bolts for breaker mains (4 each) M10x25 for FS3		WLMETRC3
Secondary disconnect coding kit for UL 489 fixed mounted breaker		WLCODEKITUL
Pull apart terminal block with 1 meter leads for UL 489 fix mounted breakers		WLTERMBLKUL

# WL Insulated Case Breaker Cradles

UL 489 Listed Catalog Number

Interrupting rating, frame size, and frame rating				Cradle catalog number																		
Class	Interrupt rating (kA)		Frame Max ampere rating (A)	Frame size			G	2	3	4	5	6	7	8	9	10	11	12	13	14	15	
	240VAC 480VAC	600VAC		1	2	3																
S	65	65	800	X				S	1	3	0	8										
S	65	65	800		X			S	2	3	0	8										
S	65	65	1200	X				S	1	3	1	2										
S	65	65	1200		X			S	2	3	1	2										
S	65	65	1600	X				S	1	3	1	6										
S	65	65	1600		X			S	2	3	1	6										
S	65	65	2000	X				S	1	3	2	0										
S	65	65	2000		X			S	2	3	2	0										
L	100	65	800	X				L	1	3	0	8										
L	100	85	800		X			L	2	3	0	8										
L	100	65	1200	X				L	1	3	1	2										
L	100	85	1200		X			L	2	3	1	2										
L	100	65	1600	X				L	1	3	1	6										
L	100	85	1600		X			L	2	3	1	6										
L	100	65	2000	X				L	1	3	2	0										
L	100	85	2000		X			L	2	3	2	0										
L	100	85	2500		X			L	2	3	2	5										
L	100	85	3000		X			L	2	3	3	0										
L	100	85	4000			X		L	3	3	4	0										
L	100	85	5000			X		L	3	3	5	0										
C	150	100	800		X			C	2	3	0	8										
C	150	100	1200		X			C	2	3	1	2										
C	150	100	1600		X			C	2	3	1	6										
C	150	100	2000		X			C	2	3	2	0										
C	150	100	2500		X			C	2	3	2	5										
C	150	100	3000		X			C	2	3	3	0										
C	150	100	4000			X		C	3	3	4	0										
C	150	100	5000			X		C	3	3	5	0										
<b>Type of secondary terminal connection 1</b>																						
<b>For circuit breakers:</b>																						
Screw clamp terminals																	A					
Spring clamp terminals																	B					
Ring terminals																	C					
Screw clamp terminals (low profile, non-partable design)																	L					
<b>For switches (non-automatic circuit breakers):</b>																						
Screw clamp terminals																	G					
Spring clamp terminals																	H					
Ring terminals																	J					
Screw clamp terminals (low profile non-partable design)																	N					
<b>Truck Operated Contacts (TOC)</b>																						
<b>Breaker position switches in the following configurations:</b>																						
None																	X					
(1) Connected, (1) Test, (1) Disconnected - all Form C																	1					
(3) Connected, (2) Test, (1) Disconnected - all Form C																	3					
(6) Connected - all Form C																	6					
<b>Cradle mounted key locks – FS2 and FS3 only</b>																						
None																	X					
Lock breaker in OPEN position (Kirk lock)																	A					
Lock breaker in OPEN position (Superior lock)																	B					
Double-key lock breaker in OPEN position (Kirk lock)																	C					
Double-key lock breaker in OPEN position (Superior lock)																	D					
Provision only - Lock breaker in OPEN position																	E					
Provision only - Double-key lock breaker in OPEN position																	F					
<b>Primary conductor isolation shutter</b>																						
None																	X					
Isolation Shutter																	F					

<sup>1</sup> Terminal blocks (X5, X6, X8, X9) are installed as standard.

# WL Insulated Case Breaker Cradles

## UL 489 Listed Catalog Number

				Cradle catalog number															
				G	2	3	4	5	6	7	8	9	10	11	12	13	14	15	
<b>Arc chute covers</b>																			
None														X					
Arc chute covers (FS1 only)														C					
Arc chute covers (FS2 only)														D					
Arc chute covers (FS3 only – except Class C)														B					
<b>Door locks and mechanical interlocks</b>																			
1. Mechanical interlock with 2.0 meter Bowden cable																			
2. Locks cubicle door, when breaker is in connect position (FS2 and FS3)																			
3. Locks cubicle door, when breaker is in connect position (FS1 only)																			
4. Locks against racking breaker if the cubicle door is open (FS2 and FS3)																			
1	2	3	4																
																	X		
X																	M		
	X																A		
		X															B		
			X														C		
X	X																D		
X	X		X														E		
X		X															F		
X			X														G		
	X		X														H		
<b>Mechanism Operated Contacts (MOC)</b>																			
<b>Breaker open/close auxiliary switches (4a &amp; 4b) in the following positions:</b>																			
None																		X	
Test and Connect position (FS1 and FS2 only)																		M	
Connect position (FS1 and FS2 only)																		N	
Test and Connect position (FS3 only)																		P	
Connect position (FS3 only)																		Q	
<b>Connector and heater options</b>																			
Standard rear connectors																		X	
Standard rear connectors and a cradle heater (FS2 and FS3)																		H	
Rotatable rear connector (FS1 and FS2 2000A and below, S Class)																		J	
Rotatable rear connectors and a cradle heater (FS2 2000A and below, S Class)																			K
<b>Future use</b>																			
Placeholder (required)																		N	

## WL Insulated Case Breaker Cradles

### UL 489 Listed Accessories

Cradle accessories		Catalog number
<b>3-phase metering CTs, cradle mounted (3 windows per CT)</b>		
FS1 and FS2	Rating – 800:5	WLG8005MCT2
	Rating – 1200:5	WLG12005MCT2
	Rating – 1600:5	WLG16005MCT2
FS2	Rating – 2500:5	WLG25005MCT2
	Rating – 3000:5	WLG30005MCT2
FS3	Rating – 4000:5	WLG40005MCT3
	Rating – 5000:5	WLG50005MCT3

## WL Power Circuit Breaker

### Ratings for UL 1066 Listed (ANSI C37) Breakers

WL frame ratings – Frame size 2		800A					1600A				
Rating Class		N	S	H	L	F	N	S	H	L	F
Interrupting current frame <i>I</i> <sub>cs</sub> (kAIC RMS) 50/60 Hz	254VAC	50	65	85	100	200	50	65	85	100	200
	508VAC	50	65	85	100	200	50	65	85	100	200
	600VAC	—	—	—	—	200	—	—	—	—	200
	635VAC	50	65	65	85	—	50	65	65	85	—
Short-time current <i>I</i> <sub>cw</sub> (kA RMS)	1 sec.	50	65	65	85	—	50	65	65	85	—
Close and latch rating (kA RMS)		50	65	65	85	—	50	65	65	85	—
Applicable rating plug range		200 - 800A					200 - 1600A				
Mechanical make-time (ms)		35					35				
Mechanical break-time (ms)		34					34				
Electric close make-time (ms)		50					50				
Electric trip/ UV break-time (ms)		40/73					40/73				
Electric trip and reclose interval (ms)		80					80				
Mechanical duty cycles (with maint.) <sup>1</sup>		15,000					15,000				
Electrical duty cycles (with maint.) <sup>1</sup>		15,000					15,000				
Draw-out breaker efficiency (Watts loss at rated <i>I</i> <sub>n</sub> )		85					320				
Draw-out fused breaker efficiency (Watts loss at rated <i>I</i> <sub>n</sub> )		Consult factory					Consult factory				
Ambient operating temperature (°C)		-25 to 40					-25 to 40				

WL frame ratings – Frame size 2		2000A				3200A		
Rating Class		S	H	L	F	S	H	L
Interrupting current frame <i>I</i> <sub>cs</sub> (kAIC RMS) 50/60 Hz	254VAC	65	85	100	200	65	85	100
	508VAC	65	85	100	200	65	85	100
	600VAC	—	—	—	200	—	—	—
	635VAC	65	65	85	—	65	65	85
Short-time current <i>I</i> <sub>cw</sub> (kA RMS)	1 sec.	65	65	85	—	65	65	85
Close and latch rating (kA RMS)		65	65	85	—	65	65	85
Applicable rating plug range		200 - 2000A				200 - 3200A		
Mechanical make-time (ms)		35				35		
Mechanical break-time (ms)		34				34		
Electric close make-time (ms)		50				50		
Electric trip/ UV break-time (ms)		40/73				40/73		
Electric trip and reclose interval (ms)		80				80		
Mechanical duty cycles (with maint.) <sup>1</sup>		15,000				15,000		
Electrical duty cycles (with maint.) <sup>1</sup>		15,000				15,000		
Draw-out breaker efficiency (Watts loss at rated <i>I</i> <sub>n</sub> )		700				1650		
Draw-out fused breaker efficiency (Watts loss at rated <i>I</i> <sub>n</sub> )		Consult factory				Consult factory		
Ambient operating temperature (°C)		-25 to 40				-25 to 40		

<sup>1</sup> Maintenance means: replacing main contacts and arc chutes (see operating instructions).  
M-Class main contacts can be replaced by Siemens personnel only.



## WL Power Circuit Breaker

### Ratings for UL 1066 Listed (ANSI C37) Breakers

WL frame ratings – Frame size 3WL frame		3200A		4000A				5000A				6000A		
Rating Class		M	F	H	L	M	F	H	L	M	F	H	L	M
Interrupting current frame <i>Ics</i>	254VAC	150	200	85	100	150	200	85	100	150	200	85	100	150
(kAIC RMS) 50/60 Hz	508VAC	150	200	85	100	150	200	85	100	150	200	85	100	150
	600VAC	—	200	—	—	—	200	—	—	—	200	—	—	—
	635VAC	85	—	85	85	85	—	85	85	85	—	85	85	85
Short-time current <i>Icw</i> (kA RMS)	1 sec.	100 <sup>2</sup>	—	85	100 <sup>2</sup>	100 <sup>2</sup>	—	85	100 <sup>2</sup>	100 <sup>2</sup>	—	85	100 <sup>2</sup>	100 <sup>2</sup>
Close and latch rating (kA RMS)		100 <sup>2</sup>	—	85	100 <sup>2</sup>	100 <sup>2</sup>	—	85	100 <sup>2</sup>	100 <sup>2</sup>	—	85	100 <sup>2</sup>	100 <sup>2</sup>
Applicable rating plug range		800 - 3200A		800 - 4000A				800 - 5000 A				800 - 6000 A		
Mechanical make-time (ms)		35		35				35				35		
Mechanical break-time (ms)		34		34				24				24		
Electric close make-time (ms)		50		50				50				50		
Electric trip/ UV break-time (ms)		40/73		40/73				40/73				40/73		
Electric trip and reclose interval (ms)		80		80				80				80		
Mechanical duty cycles (with maint.) <sup>1</sup>		10,000		10,000				10,000				10,000		
Electrical duty cycles (with maint.) <sup>1</sup>		10,000		10,000				10,000				10,000		
Draw-out breaker efficiency (Watts loss at rated In)		700		1100				1650				2375		
Draw-out fused breaker efficiency (Watts loss at rated In)		Consult factory		Consult factory				Consult factory				N/A		
Ambient operating temperature (°C)		-25 to 40		-25 to 40				-25 to 40				-25 to 40		

### Ratings for UL 1066 Listed Non-automatic Switches

WL frame ratings		Frame size 2 800A - 3200A <sup>4</sup>		Frame size 3 3200A - 6000A <sup>4</sup>	
Rating Class		L	F <sup>3</sup>	L	F <sup>3</sup>
Breaking capacity with external relay (kA RMS)	254VAC	100	200	100	200
50/60 Hz, instantaneous trip	508VAC	100	200	100	200
	635VAC	85	200	85	200
Short-time current <i>Icw</i> (kA RMS)	1 sec.	65	N/A	100	N/A

<sup>1</sup> Maintenance means: replacing main contacts and arc chutes (see operating instructions).

M-Class main contacts can be replaced by Siemens personnel only. Do not apply switch or breaker rated at 635VAC to a system with fault current > 85kA RMS.

<sup>2</sup> Short-time withstand current (*Icw*) at 635 VAC is kAIC RMS.

<sup>3</sup> Max. 600 VAC.

<sup>4</sup> 3200A frame rating is only available in L-Class in Frame Size 2. 3200A frame rating is not available in L-Class in Frame Size 3.

# WL Power Circuit Breaker

## UL 1066 Listed Catalog Number

### Interrupting rating, frame size, breaker type and frame rating (3-Pole Circuit Breakers)

Note: Cradle must be ordered separately (see page 54)

						Breaker catalog number															
Class	Interrupt rating (kA)		Frame Max ampere rating (A)	Frame size		Fuse (A)	1	2	3	4	5	6	7	8	9	10	11	12	13	14	15
	254VAC 508VAC	635VAC		2	3		↑	↑	↑	↑	↑	↑	↑	↑	↑	↑	↑	↑	↑	↑	↑
N	50	50	800	X			N	2	A	3	0	8									
N	50	50	1600	X			N	2	A	3	1	6									
S	65	65	800	X			S	2	A	3	0	8									
S	65	65	1600	X			S	2	A	3	1	6									
S	65	65	2000	X			S	2	A	3	2	0									
S	65	65	3200	X			S	2	A	3	3	2									
H	85	65	800	X			H	2	A	3	0	8									
H	85	65	1600	X			H	2	A	3	1	6									
H	85	65	2000	X			H	2	A	3	2	0									
H	85	65	3200	X			H	2	A	3	3	2									
H	85	85	4000		X		H	3	A	3	4	0									
H	85	85	5000		X		H	3	A	3	5	0									
H	85	85	6000		X		H	3	A	3	6	0									
L	100	85	800	X			L	2	A	3	0	8									
L	100	85	1600	X			L	2	A	3	1	6									
L	100	85	2000	X			L	2	A	3	2	0									
L	100	85	3200	X			L	2	A	3	3	2									
L	100	85	4000		X		L	3	A	3	4	0									
L	100	85	5000		X		L	3	A	3	5	0									
L	100	85	6000		X		L	3	A	3	6	0									
M	150	85	3200		X		M	3	A	3	3	2									
M	150	85	4000		X		M	3	A	3	4	0									
M	150	85	5000		X		M	3	A	3	5	0									
M	150	85	6000		X		M	3	A	3	6	0									
F	200	200	800	X		400	F	2	A	3	0	A									
F	200	200	800	X		600	F	2	A	3	0	B									
F	200	200	800	X		800	F	2	A	3	0	C									
F	200	200	800	X		900	F	2	A	3	0	D									
F	200	200	800	X		1000	F	2	A	3	0	E									
F	200	200	800	X		1200	F	2	A	3	0	F									
F	200	200	800	X		1600	F	2	A	3	0	G									
F	200	200	800	X		2000	F	2	A	3	0	H									
F	200	200	800	X		2500	F	2	A	3	0	J									
F	200	200	800	X		3000	F	2	A	3	0	K									
F	200	200	1600	X		400	F	2	A	3	1	A									
F	200	200	1600	X		600	F	2	A	3	1	B									
F	200	200	1600	X		800	F	2	A	3	1	C									
F	200	200	1600	X		900	F	2	A	3	1	D									
F	200	200	1600	X		1000	F	2	A	3	1	E									
F	200	200	1600	X		1200	F	2	A	3	1	F									
F	200	200	1600	X		1600	F	2	A	3	1	G									
F	200	200	1600	X		2000	F	2	A	3	1	H									
F	200	200	1600	X		2500	F	2	A	3	1	J									
F	200	200	1600	X		3000	F	2	A	3	1	K									
F	200	200	2000	X		400	F	2	A	3	2	A									
F	200	200	2000	X		600	F	2	A	3	2	B									
F	200	200	2000	X		800	F	2	A	3	2	C									
F	200	200	2000	X		900	F	2	A	3	2	D									
F	200	200	2000	X		1000	F	2	A	3	2	E									
F	200	200	2000	X		1200	F	2	A	3	2	F									
F	200	200	2000	X		1600	F	2	A	3	2	G									
F	200	200	2000	X		2000	F	2	A	3	2	H									
F	200	200	2000	X		2500	F	2	A	3	2	J									
F	200	200	2000	X		3000	F	2	A	3	2	K									
F	200	200	3200		X	6000	F	3	A	3	3	2									
F	200	200	4000		X	6000	F	3	A	3	4	0									
F	200	200	5000		X	6000	F	3	A	3	5	0									



# WL Power Circuit Breaker

## UL 1066 Listed Catalog Number

Rating plug			Breaker catalog number														
Maximum continuous current rating (A)	Frame size 2	Frame size 3	1	2	3	4	5	6	7	8	9	10	11	12	13	14	15
			200	X									A				
225	X									B							
250	X									C							
300	X									D							
315	X									E							
350	X									F							
400	X									G							
450	X									H							
500	X									J							
600	X									K							
630	X									L							
700	X									M							
800	X	X								N							
1000	X	X								P							
1200	X	X								Q							
1250	X	X								R							
1600	X	X								T							
2000	X	X								U							
2500	X	X								V							
3000	X	X								W							
3200	X	X								Y							
4000		X								Z							
5000		X								1							
6000		X								2							

### Electronic trip units (ETU)

Trip unit models	Protective function			LCD display alpha num.	Ground fault		EMC filter	
	L	S	I		Alarm	Trip		
ETU745	X	(X)	(X)					C
ETU745	X	(X)	(X)	X				D
ETU745	X	(X)	(X)		X			E
ETU745	X	(X)	(X)	X	X			F
ETU745	X	(X)	(X)		X	X		G
ETU745	X	(X)	(X)	X	X	X		H
ETU745	X	(X)	(X)				X	3
ETU745	X	(X)	(X)	X			X	4
ETU745	X	(X)	(X)		X		X	5
ETU745	X	(X)	(X)	X	X		X	6
ETU745	X	(X)	(X)		X	X	X	7
ETU745	X	(X)	(X)	X	X	X	X	8
ETU776	X	(X)	(X)					V
ETU776	X	(X)	(X)		X			W
ETU776	X	(X)	(X)		X	X		Y
ETU776	X	(X)	(X)				X	M
ETU776	X	(X)	(X)		X		X	Z
ETU776	X	(X)	(X)		X	X	X	1

( ) Function can be disabled by user.

# WL Power Circuit Breaker

## UL 1066 Listed Catalog Number

Breaker catalog number

1 2 3 4 5 6 7 8 9 10 11 12 13 14 15

### Bell alarm, breaker ready-to-close, auxiliary contacts

Bell alarm		Form C contacts	Breaker ready-to-close 1 b contact	Breaker open/close auxiliary switches			
Remote reset coil voltage				2a + 2b	4a + 4b		
AC	DC						
						None	X
		X					A
			X				B
				X			C
					X		D
		X	X				E
		X		X			F
		X			X		G
			X	X			H
			X		X		I
		X	X	X			J
		X	X		X		K
	24	X					L
	48	X					M
120	125	X					N
240	250	X					O
	24	X	X				P
	48	X	X				Q
120	125	X	X				R
240	250	X	X				S
	24	X		X			T
	48	X		X			U
120	125	X		X			V
240	250	X		X			W
	24	X			X		Y
	48	X			X		Z
120	125	X			X		1
240	250	X			X		2
	24	X	X	X			3
	48	X	X	X			4
120	125	X	X	X			5
240	250	X	X	X			6
	24	X	X		X		7
	48	X	X		X		8
120	125	X	X		X		9
240	250	X	X		X		0

### Shunt trip

Control voltage		Status contact	Continuous duty coil (electrical interlock)		
AC	DC				
				None	X
	24				A
	48				B
120	125				C
240	250				D
	24	X			E
	48	X			F
120	125	X			G
240	250	X			H
	24		X		J
	48		X		K
120	125		X		L
240	250		X		M
	24	X	X		N
	48	X	X		P
120	125	X	X		R
240	250	X	X		S

# WL Power Circuit Breaker

## UL 1066 Listed Catalog Number

Undervoltage release (with or without time delay) or 2nd shunt trip					Breaker catalog number																
Control voltage		UVR without delay	UVR with delay	UVR status contact <sup>1</sup>	2nd shunt trip	1	2	3	4	5	6	7	8	9	10	11	12	13	14	15	
AC	DC																				
	24	X																			X
	48	X																			A
120	125	X																			B
240	250	X																			C
	48																				D
120	125		X																		E
240	250		X																		F
	24																				G
	48																				H
120	125																				J
240	250																				K
	24	X		X																	L
	48	X		X																	M
120	125	X		X																	N
240	250	X		X																	P
	48		X	X																	Q
	125		X	X																	R
120	250		X	X																	S
																					T

### Charging motor, motor switch, operations counter

Charging motor operation voltage		Motor cut-off switch	Operations counter	Breaker catalog number																	
AC	DC					1	2	3	4	5	6	7	8	9	10	11	12	13	14	15	
	24																				X
	48																				A
120	125																				B
240	250																				C
	24	X																			D
	48	X																			E
120	125	X																			F
240	250	X																			G
	24																				H
	48																				J
120	125																				K
240	250																				L
	24	X		X																	M
	48	X		X																	N
120	125	X		X																	P
240	250	X		X																	Q
																					R

<sup>1</sup> Status contact is only available when communication is not installed on breaker. Signal is sent via communication in lieu of status contact.



# WL Power Circuit Breaker

## UL 1066 Listed Catalog Number

Close coil, power metering and communications					Breaker catalog number															
					1	2	3	4	5	6	7	8	9	10	11	12	13	14	15	
Close coil operation voltage		Power metering capable	Modbus 2	PROFIBUS 2 PROFINET	Modbus TCP/ PROFINET															
AC	DC																			
						None												X		
	24																	A		
	48																	B		
120	125																	C		
240	250																	D		
			X															G		
				X														H		
					X													E		
	24		X															N		
	24			X														P		
	48		X															S		
	48			X														T		
120	125		X															W		
120	125			X														Y		
120	125				X													J		
240	250		X															2		
240	250			X														3		
	24	X	X															Q		
	48	X	X															U		
120	125	X	X															Z		
120	250	X	X															4		
	24	X		X														R		
	24	X			X													6		
	48	X		X														V		
	48	X			X													7		
120	125	X		X														1		
120	125	X			X													9		
240	250	X		X														5		
240	250	X			X													0		
		X		X														L		
		X		X														M		
		X																F		
		X			X													K		
120	125	X																8		

### Breaker locks

Key lock breaker OPEN position (lock type – KIRK) 3	Key lock breaker OPEN position (lock type – SUPERIOR) 3	Padlock provisions for OPEN and CLOSE pushbuttons 4	Padlock provisions for charging handle 4															
				None												X		
X																A		
		X														C		
			X													E		
	X															F		
X		X														G		
	X	X														J		
X			X													S		
	X		X													U		
		X	X													V		
X		X	X													W		
	X	X	X													Z		

### Miscellaneous options 5

Key lock breaker OPEN position (provision only) 4	Manual trip reset ETU (Automatic trip reset is standard)															
		None													N	
X															B	
	X														C	
X	X														D	

1 Requires External PTs for voltage input and 24VDC power supply.  
2 Includes BSS device and requires 24VDC power supply.

3 Custom key locks are not available and must be supplied by others.  
Order key lock provision if custom if keyed alike locks are required.

4 Locks provided by others.

5 If a breaker lock is chosen for Digit 14, a provision need not be ordered in Digit 15.

# WL Power Circuit Breaker

## UL 1066 Listed Non-automatic Catalog Number

### Breaking capacity, frame size, switch type and frame rating (3-Pole Non-Automatic Circuit Breakers)

Class	Breaking capacity (kA)		Frame Max ampere rating (A)	Frame size		Fuse (A)	Switch catalog number														
	240VAC	600VAC		2	3		1	2	3	4	5	6	7	8	9	10	11	12	13	14	15
	480VAC																				
L	100	85	800	X			L	2	S	3	0	8	S	S							
L	100	85	1600	X			L	2	S	3	1	6	S	S							
L	100	85	2000	X			L	2	S	3	2	0	S	S							
L	100	85	3200	X			L	2	S	3	2	2	S	S							
L	100	85	4000		X		L	3	S	3	4	0	S	S							
L	100	85	5000		X		L	3	S	3	5	0	S	S							
F	200	200	800	X		1000	F	2	S	3	0	E	S	S							
F	200	200	800	X		1200	F	2	S	3	0	F	S	S							
F	200	200	800	X		1600	F	2	S	3	0	G	S	S							
F	200	200	800	X		2000	F	2	S	3	0	H	S	S							
F	200	200	800	X		2500	F	2	S	3	0	J	S	S							
F	200	200	800	X		3000	F	2	S	3	0	K	S	S							
F	200	200	1600	X		1000	F	2	S	3	1	E	S	S							
F	200	200	1600	X		1200	F	2	S	3	1	F	S	S							
F	200	200	1600	X		1600	F	2	S	3	1	G	S	S							
F	200	200	1600	X		2000	F	2	S	3	1	H	S	S							
F	200	200	1600	X		2500	F	2	S	3	1	J	S	S							
F	200	200	1600	X		3000	F	2	S	3	1	K	S	S							
F	200	200	2000	X		1000	F	2	S	3	2	E	S	S							
F	200	200	2000	X		1200	F	2	S	3	2	F	S	S							
F	200	200	2000	X		1600	F	2	S	3	2	G	S	S							
F	200	200	2000	X		2000	F	2	S	3	2	H	S	S							
F	200	200	2000	X		2500	F	2	S	3	2	J	S	S							
F	200	200	2000	X		3000	F	2	S	3	2	K	S	S							
F	200	200	3200		X	6000	F	3	S	3	3	2	S	S							
F	200	200	4000		X	6000	F	3	S	3	4	0	S	S							
F	200	200	5000		X	6000	F	3	S	3	5	0	S	S							

### Breaking capacity, frame size, switch type and frame rating (4-Pole Non-Automatic Circuit Breakers)

Class	Breaking capacity (kA)		Frame Max ampere rating (A)	Frame size			Drawout	Switch catalog number														
	254VAC	635VAC		2	3	Fixed		1	2	3	4	5	6	7	8	9	10	11	12	13	14	15
	508VAC																					
L	100	85	800	X		X	L	2	J	4	0	8	S	S								
L	100	85	800	X			X	L	2	S	4	0	8	S	S							
L	100	85	1600	X				L	2	J	4	1	6	S	S							
L	100	85	1600	X			X	L	2	S	4	1	6	S	S							
L	100	85	2000	X		X		L	2	J	4	2	0	S	S							
L	100	85	2000	X			X	L	2	S	4	2	0	S	S							
L	100	85	3200	X		X		L	2	J	4	3	2	S	S							
L	100	85	3200	X			X	L	2	S	4	3	2	S	S							
L	100	85	4000		X	X		L	3	J	4	4	0	S	S							
L	100	85	4000		X		X	L	3	S	4	4	0	S	S							
L	100	85	5000		X	X		L	3	J	4	5	0	S	S							
L	100	85	5000		X		X	L	3	S	4	5	0	S	S							
L	100	85	6000		X		X	L	3	S	4	6	0	S	S							

# WL Power Circuit Switch

UL 1066 Listed Non-automatic Catalog Number

Breaker ready-to-close auxiliary contacts			Switch catalog number																	
Breaker ready-to-close	Breaker open/close auxiliary switches		1	2	3	4	5	6	7	8	9	10	11	12	13	14	15			
1b contact	2a + 2b	4a + 4b										X								
			None									X								
X																				
	X																			
		X																		
X	X																			
X		X																		

## Shunt trip

Operation voltage		Status contact	Switch catalog number																	
AC	DC		1	2	3	4	5	6	7	8	9	10	11	12	13	14	15			
			None									X								
	24																			
	48																			
120	125																			
240	250																			
	24	X																		
	48	X																		
120	125	X																		
240	250	X																		

## Undervoltage release (with or without time delay) or 2nd shunt trip

Operation voltage		UVR without delay	UVR with delay	UVR status contact <sup>1</sup>	2nd shunt trip	Switch catalog number																	
AC	DC					1	2	3	4	5	6	7	8	9	10	11	12	13	14	15			
						None									X								
	24	X																					
	48	X																					
120	125	X																					
240	250	X																					
	48		X																				
120	125		X																				
240	250		X																				
	24				X																		
	48				X																		
120	125				X																		
240	250				X																		
	24	X			X																		
	48	X			X																		
120	125	X			X																		
240	250	X			X																		
	48		X		X																		
	125		X		X																		
120	250		X		X																		

<sup>1</sup> Status contact only available when communication is not installed. Signal is sent via communication in lieu of status contact.

# WL Power Circuit Switch

UL 1066 Listed Non-automatic Catalog Number

Charging motor, motor switch, operations counter				Switch catalog number																
				1	2	3	4	5	6	7	8	9	10	11	12	13	14	15		
Charging motor operation voltage		Motor cut-off switch	Operations counter	None											X					
AC	DC																			
	24																		A	
	48																		B	
120	125																		C	
240	250																		D	
	24	X																	E	
	48	X																	F	
120	125	X																	G	
240	250	X																	H	
	24		X																J	
	48		X																K	
120	125		X																L	
240	250		X																M	
	24	X	X																N	
	48	X	X																P	
120	125	X	X																Q	
240	250	X	X																R	

## Close coil, communications

Close coil operation voltage		Power metering capable	Modbus <sup>1</sup>	PROFIBUS <sup>1</sup>	Modbus TCP / PROFINET <sup>1</sup>	None											X		
AC	DC																		
	24																		A
	48																		B
120	125																		C
240	250																		D
			X																G
				X															H
					X														E
	24		X																N
	24			X															P
	48		X																S
	48			X															T
120	125		X																W
120	125			X															Y
120	125				X														J
240	250		X																2
240	250			X															3

<sup>1</sup> Requires 24VDC power supply. BSS is included.

## WL Power Circuit Switch

### UL 1066 Listed Non-automatic Catalog Number

				Switch catalog number														
				1	2	3	4	5	6	7	8	9	10	11	12	13	14	15
Key lock breaker OPEN position (lock type – KIRK) <sup>1</sup>	Key lock breaker OPEN position (lock type – SUPERIOR) <sup>1</sup>	Padlock provisions for OPEN and CLOSE pushbuttons <sup>2</sup>	Padlock provisions for charging handle	None													X	
X																	A	
		X															C	
			X														E	
	X																F	
X		X															G	
	X	X															J	
X			X														S	
	X		X														U	
		X	X														V	
X		X	X														W	
	X	X	X														Z	

### Miscellaneous options <sup>3</sup>

Key lock breaker OPEN position (provision only) <sup>2</sup>															
	None													N	
X														B	

### UL 1066 Fixed Mount Breaker Vertical Connector Kits

Description	Catalog number
FS 2 800A - 1600A Rear Vertical Connectors (8 pieces, includes Neutral Pole)	WL4L2R16CONUL
FS 2 2000A Rear Vertical Connectors (8 pieces, includes Neutral Pole)	WL4L2R20CONUL
FS 2 3200A Rear Vertical Connectors (8 pieces, includes Neutral Pole)	WL4L2R32CONUL <sup>4</sup>
FS 3 4000A - 5000A Rear Vertical Connectors (8 pieces, includes Neutral Pole)	WL4L2R50CONUL <sup>4</sup>

<sup>1</sup> Custom key locks are not available and must be supplied by others. Order Key Lock Provisions if custom keys or keyed alike breakers are required.

<sup>2</sup> Lock provided by others.

<sup>3</sup> If a breaker lock is chosen for Digit 14, a provision need not be ordered in Digit 15.

<sup>4</sup> FS II 3200A, FS III 4000A, 5000A breakers include vertical connectors as a standard.





# WL Power Circuit Breaker Cradles

## UL 1066 Listed Cradle Catalog Number

				Cradle catalog number														
				G	2	3	4	5	6	7	8	9	10	11	12	13	14	15
<b>Cradle mounted key locks <sup>2</sup></b>																		
None												X						
Lock breaker in OPEN position (Kirk key)												A						
Lock breaker in OPEN position (Superior key)												B						
Double lock breaker in OPEN position (Kirk key)												C						
Double lock breaker in OPEN position (Superior key)												D						
Provision only - Lock breaker in OPEN position												E						
Provision only - Double lock breaker in OPEN position												F						
<b>Primary conductor isolation shutter</b>																		
None												X						
Isolation Shutters												F						
<b>Arc chute covers</b>																		
None													X					
Arc chute covers (FS2 only – Except Class F)													A					
Arc chute covers (FS3 only – Except Class F and M)													B					
<b>Door locks and mechanical interlock</b>																		
1. Mechanical interlock with 2.0 meter Bowden cable																		
2. Locks cubicle door, when breaker is in connect position (FS2 and FS3)																		
3. Locks against racking breaker if the cubicle door is open (FS2 and FS3)																		
1	2	3																
			None												X			
X															M			
	X														A			
		X													C			
X	X														D			
X	X	X													E			
X		X													G			
	X	X													H			
<b>Mechanism Operated Contacts (MOC)</b>																		
<b>Breaker open/close auxiliary switches (4a &amp; 4b) in the following positions:</b>																		
None																X		
Test and Connect position (FS2 only)																M		
Connect position (FS2 only)																N		
Test and Connect position (FS3 only)																P		
Connect position (FS3 only)																Q		
<b>Connector and heater options</b>																		
Standard rear connectors																	X	
Standard rear connectors and a cradle heater																	H	
Rotatable rear connectors (FS2, 2000A and below, N, S, & H Class)																J		
Rotatable rear connectors and a cradle heater (FS2, 2000A and below, N, S, & H Class)																K		
<b>Future use</b>																		
Placeholder (required)																		N

## UL 1066 Listed accessories

Cradle accessories		Catalog Number
<b>3-phase metering CTs, cradle mounted (3 windows per CT)</b>		
FS2	Ratings – 800:5	WLG8005MCT2
	Ratings – 1600:5	WLG16005MCT2
	Ratings – 2000:5	WLG20005MCT2
	Ratings – 3200:5	WLG32005MCT2
FS3	Ratings – 3200:5	WLG32005MCT3
	Ratings – 4000:5	WLG40005MCT3
	Ratings – 5000:5	WLG50005MCT3

# WL Breaker

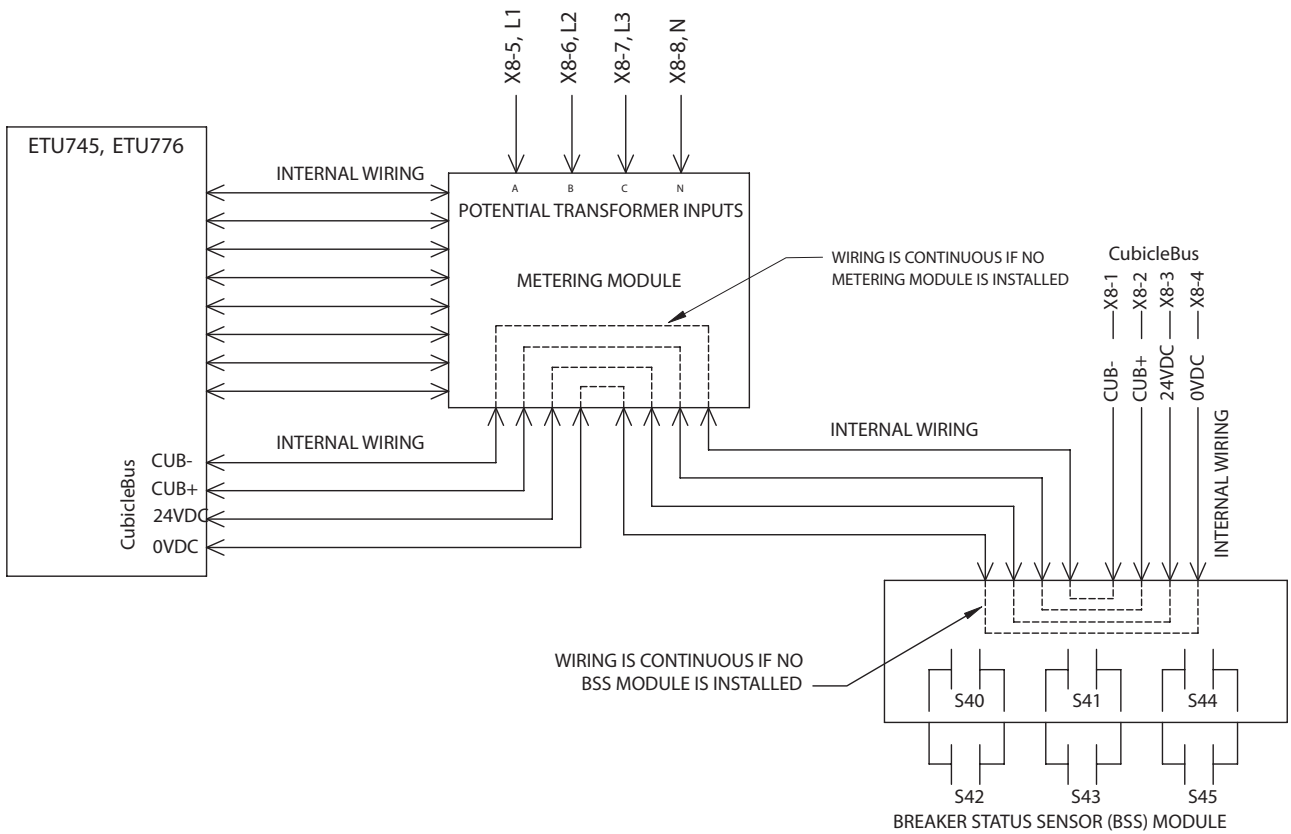
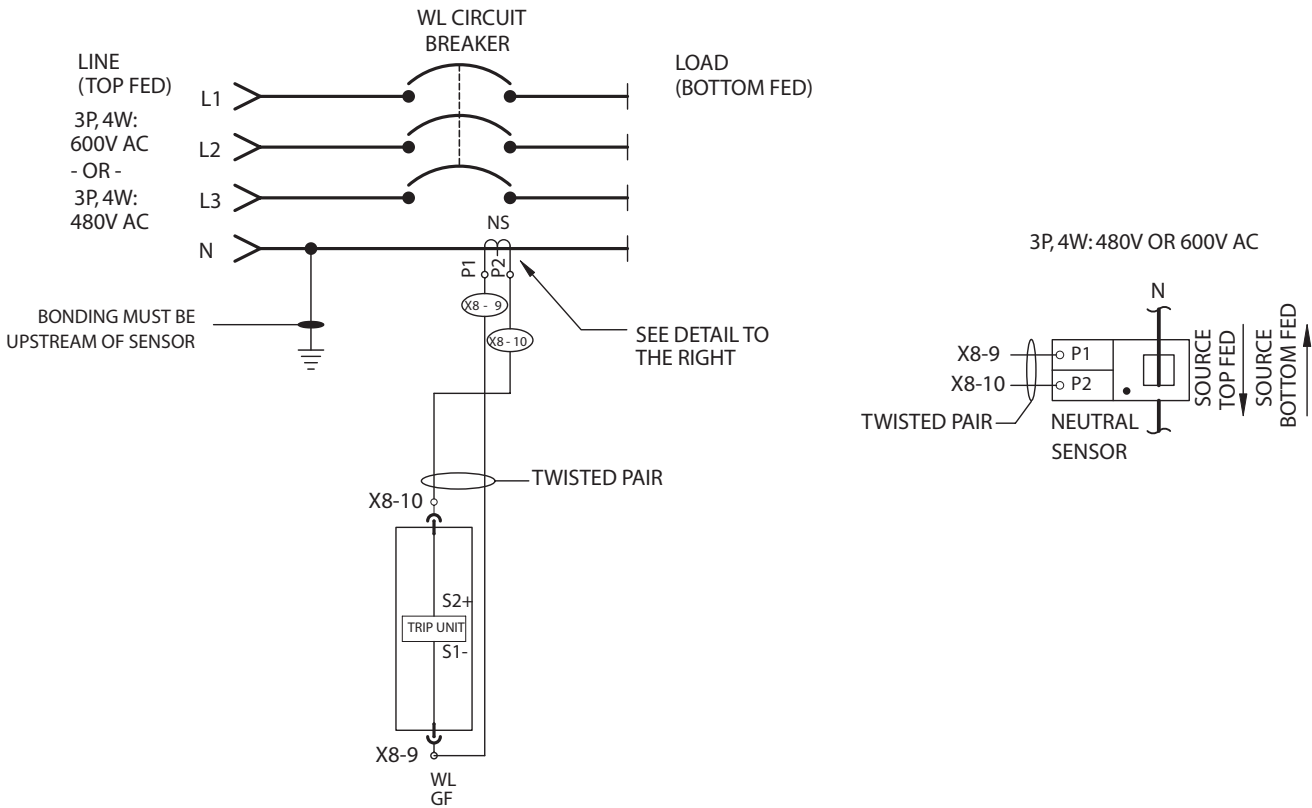
## Application data

### WL Secondary Terminal Assignments

Internal	Terminals	ANSI C37.2 device #	External
<b>X9</b>			
Bell alarm signal switch S24		14	
Signalling switch for 2nd shunt trip		13	
		12	
Signalling switch for 1st shunt trip		11	
		10	
Signalling switch for 1st shunt trip		8	
		7	
Signalling switch open fuse lockout S26		6	
		5	
Maglatch for open fuse lock out F6 (FS III fused only)		4	
		3	
2nd shunt trip F2		2	
		1	
		52CS	
		52CS	X9.3 LT / (+) Control power
		52TC	N / (-)
<b>X8</b>			
Remote reset bell alarm & tripped indicator F7		14	
External Iron Core Ground Fault Sensor S2		13	
External Iron Core Ground Fault Sensor S1		12	
External Air Core Neutral Sensor S2		11	
External Air Core Neutral Sensor S1		10	
External voltage transformer Com		9	
External voltage transformer L3		8	
External voltage transformer L2		7	
External voltage transformer L1		6	
0 V d.c.		5	
24 V d.c.		4	
CUB +		3	
CUB -		2	
		1	
		79	LT / (+) Control power
			N / (-)
			Short terminals, if no Neutral sensor
			Phase A
			Phase B
			Phase C
			24 V d.c. input
			Terminating resistor, 120 @ 0.5 W if no external CubicleBUS module connected
<b>X7</b>			
COM15/16/35, otherwise empty			
<b>X6</b>			
1st Shunt Trip		14	
		13	
S1		12	
		11	
S1		10	
Closing Coil CC		9	
		8	
Ready to close signal S20		7	
		6	
S 2		5	
		4	
S 2		3	
		2	
		1	
		52TC / 86	LT / (+) Control power
		52a	N / (-)
		52b	
		52CC	N / (-) Control power
		52LC	LT / (+)
		52a	
		52b	
<b>X5</b>			
F4 only "quick OPEN"		14	
2nd auxiliary release: F3 UVR, F4 UVR td		13	
		12	
S 3		11	
		10	
S 3		9	
		8	
S 4		7	
		6	
S 4		5	
		4	
		3	
Charging motor (optional motor cut-off switch shown in figure)		2	
		1	
		62	EMERGENCY OPEN or short terminals
		27	LT / (+) Control power
		52a	N / (-)
		52b	
		52a	
		52b	
		52M	LT / (+) Control power
			N / (-)

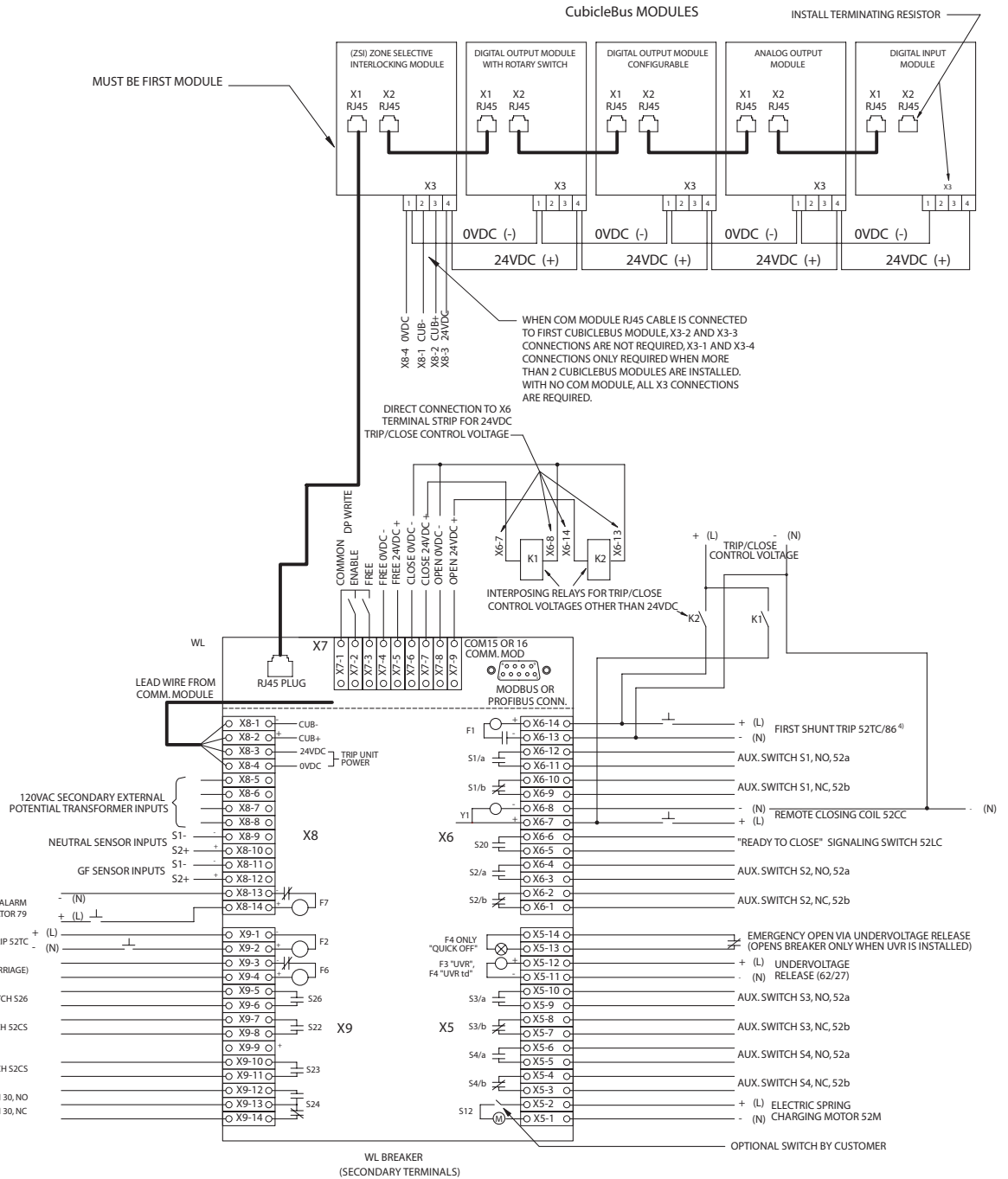
# WL Breaker

## General Wiring Schematic



# WL Breaker

## General Wiring Schematic



**NOTES:**

1. COMPONENT PLACEMENT PER PANEL, SWITCHGEAR, OR SWITCHBOARD DRAWINGS.
2. ALL DEVICES SHOWN IN OPEN AND/OR DE-ENERGIZED STATE.
3. ALL GROUND FAULT WIRING TO BE SHIELDED TWISTED PAIR
4. SHUNT TRIP CLEARING CONTACT ONLY WITH INTERMITTENT-DUTY SHUNT TRIPS ON FIRST SHUNT TRIP ONLY

# WL Breaker

## Ground Fault Setting

### Ground Fault Protection

When optional ground fault is selected, the trip unit detects fault currents that flow to ground and represent a fire hazard to the system. The adjustable time delay allows selective staggering of consecutively arranged circuit breakers.

When setting the parameters of the trip unit, a selection can be made between alarm and trip if the set current value is exceeded. The cause of the trip is displayed on an LED when the query button is pressed.

### Modules

The trip unit versions ETU745 and ETU776 can be retrofitted with a ground fault protection module.

Two versions of the optional ground fault module can be ordered:

- Trip and Alarm
- Alarm only

### Ground Fault Measuring Methods

*Residual sensing of the ground fault current*

The trip unit calculates the ground fault current by vectorial current summation of the 3- phase currents and the neutral conductor current.

*Direct measurement of the ground fault current*

A current transformer with the transformer ratio 1200A : 1A is used to measure the ground fault current. The transformer can be installed directly in the grounded star point of a transformer.

### Setting

The ground fault module can be set depending on the measuring method (see above):

Measuring method 1: in position sum I  
Measuring method 2: in position G.

With trip unit ETU776, this setting is implemented via the display and key pad or communications.

### Ground Fault Protection with I<sup>2</sup>t Characteristic Curve

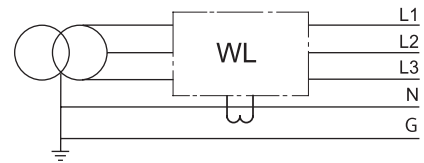
All versions of the ground fault modules are delivered with an I<sup>2</sup>t or fixed delay.

Modules are available in either Alarm only or Alarm and Trip functions.

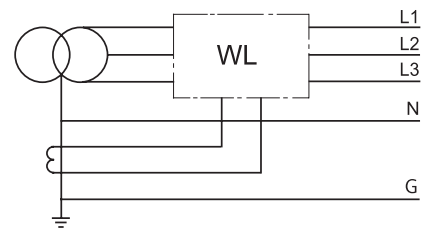
For more information about ground fault protection, see the [Ground Fault Application Guide](#).

[www.usa.siemens.com/wl](http://www.usa.siemens.com/wl)

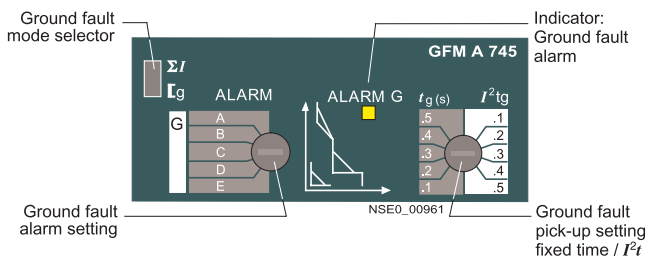
Residual sensing of the ground fault current



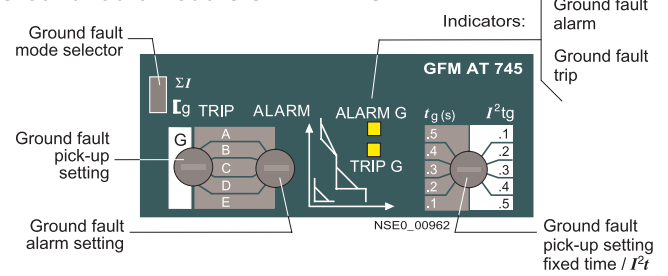
Direct measurement of the ground fault current



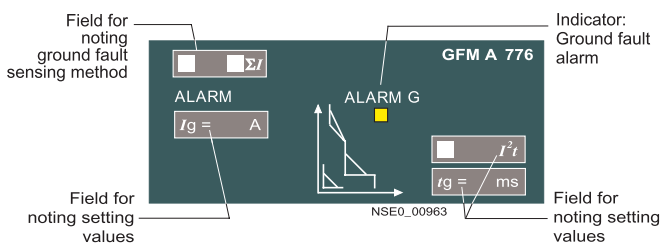
### Ground fault module GFM A 745



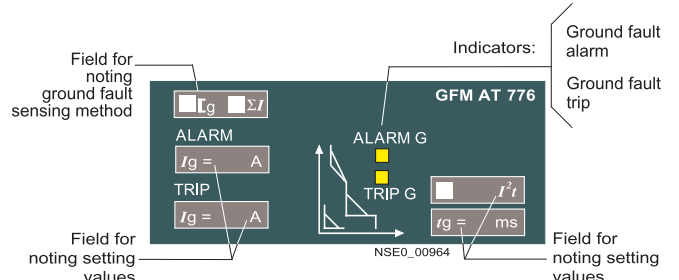
### Ground fault module GFM AT 745



### Ground fault module GFM A 776



### Ground fault module GFM AT 776



# WL Breaker

## Metering Voltage Details

### VT / PT connections for the WL Breaker when equipped with metering

WL power metering ("Meter Function") can accept 3W or 4W (LL/LN) system voltage connections.

The trip unit settings available are:

- 1) VT Primary Voltage (240V, 480V, 600V)
- 2) VT Secondary Voltage (100V, 110V, 120V)
- 3) VT Connection (Wye / LN, Delta / LL)

Three VTs must be used at all times.

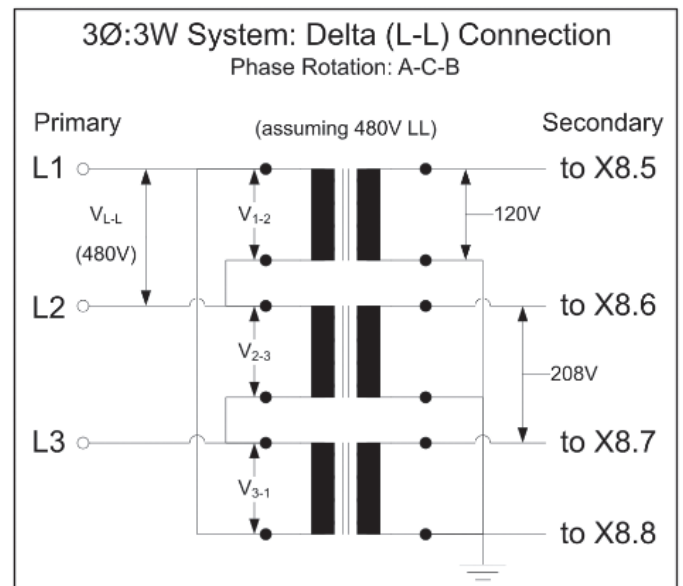
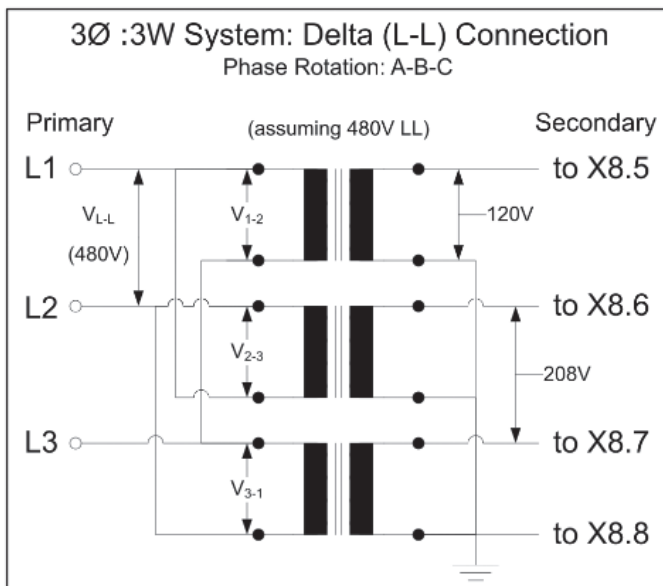
All three VTs should be rated for the nominal system L-L voltage (e.g. 480V) and may have either 100V, 110V or 120V secondary voltages.

The following ratios are suggested or equivalent VTs can be used: (Must be supplied by others)

- 240:120 = 2:1 (ITI Part # 460-240 or 468-240)
- 480:120 = 4:1 (ITI Part # 460-480 or 468-480)
- 600:120 = 5:1 (ITI Part # 460-600 or 468-600)

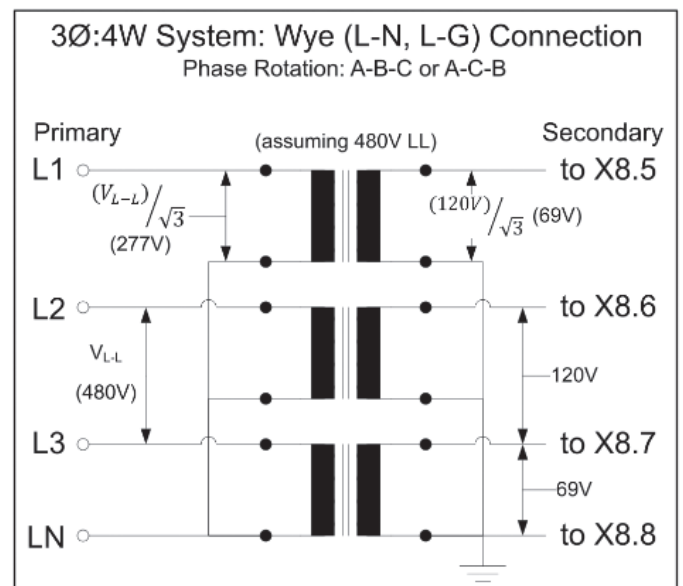
VT Accuracy:

Each Metering Module presents a purely resistive (unity power factor) load to the transformer. Assuming no other devices connected to the VT, a ITI type 486 VT can safely feed 10 metering modules and still maintain 0.6% accuracy assuming the wiring from the VT to the individual metering modules is twisted pair and kept to a minimum length.



#### Notes:

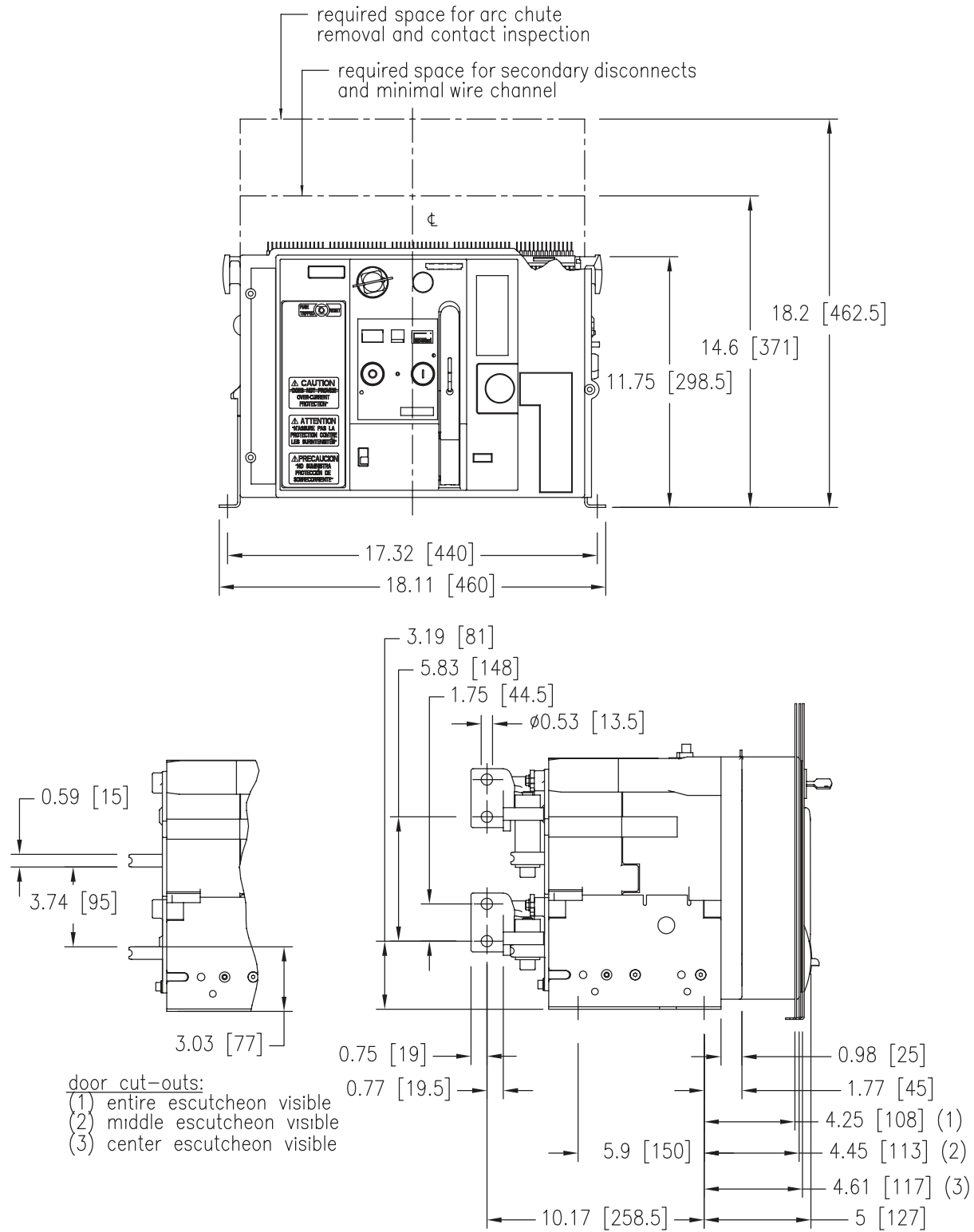
- Required primary and secondary overcurrent protection (fusing) not shown for clarity.
- When applied in a High Resistance Ground system with a L-L primary connection, the secondary common connection should be left ungrounded if possible.



# Low Voltage Circuit Breaker

## UL489 Fixed-mount Breaker Dimensions

### Frame size 1

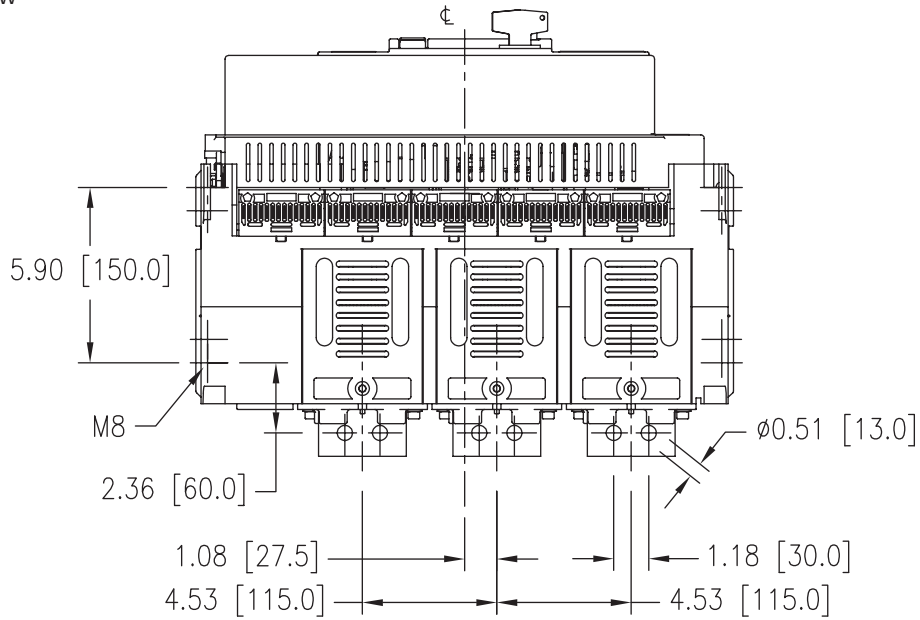


# Low Voltage Circuit Breaker

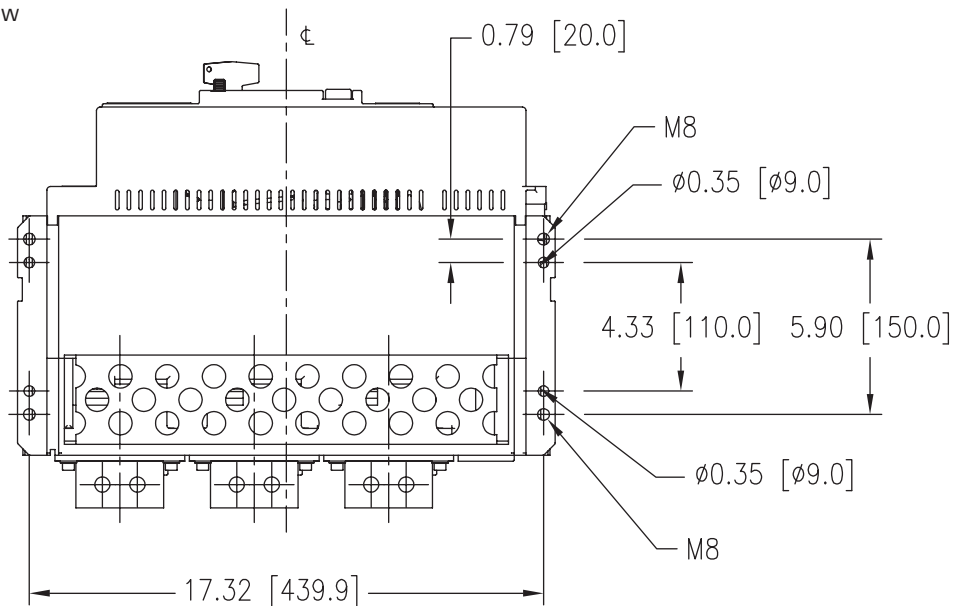
## UL489 Fixed-mount Breaker Dimensions

### Frame size 1 Horizontal Connectors

Top view



Bottom view



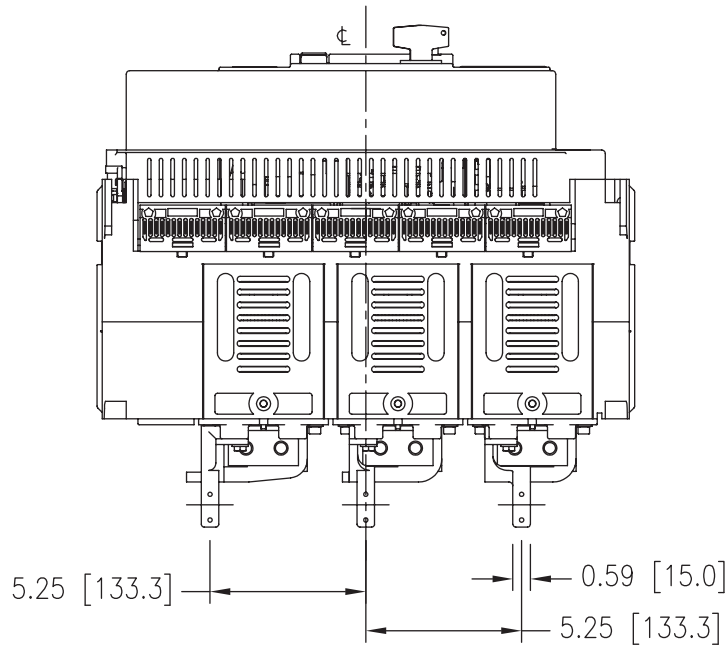


# Low Voltage Circuit Breaker

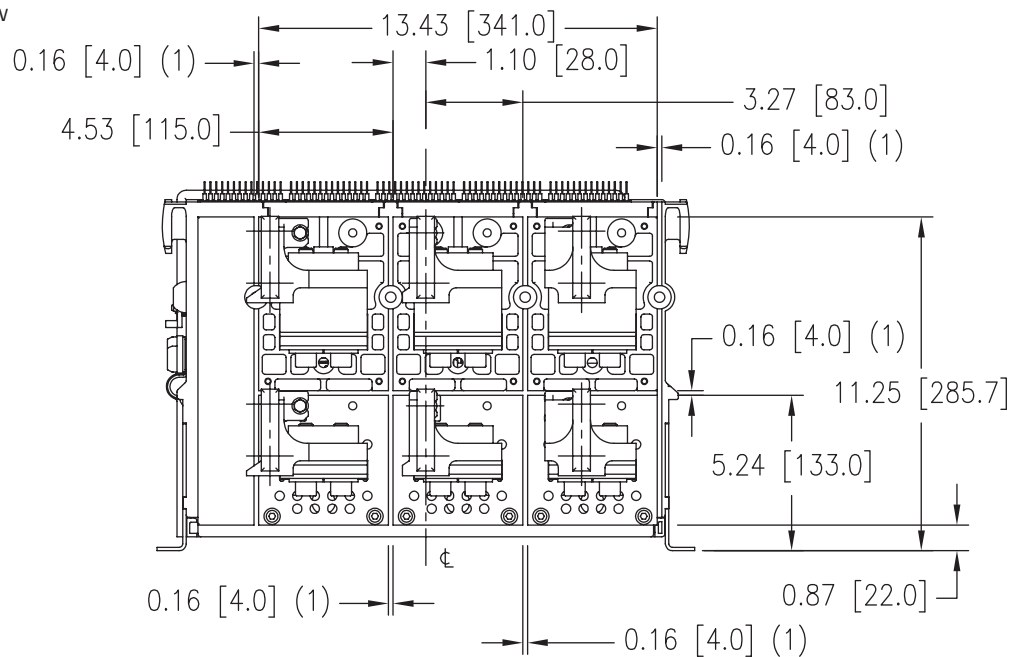
## UL489 Fixed-mount Breaker Dimensions

### Frame Size 1 Rear Vertical Connectors

Top view



Rear view



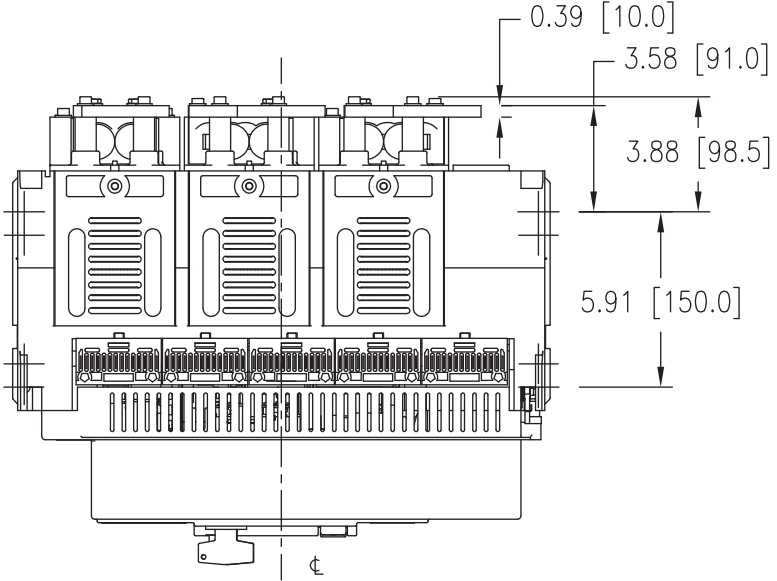
(1) = slots for insulation barriers

# Low Voltage Circuit Breaker

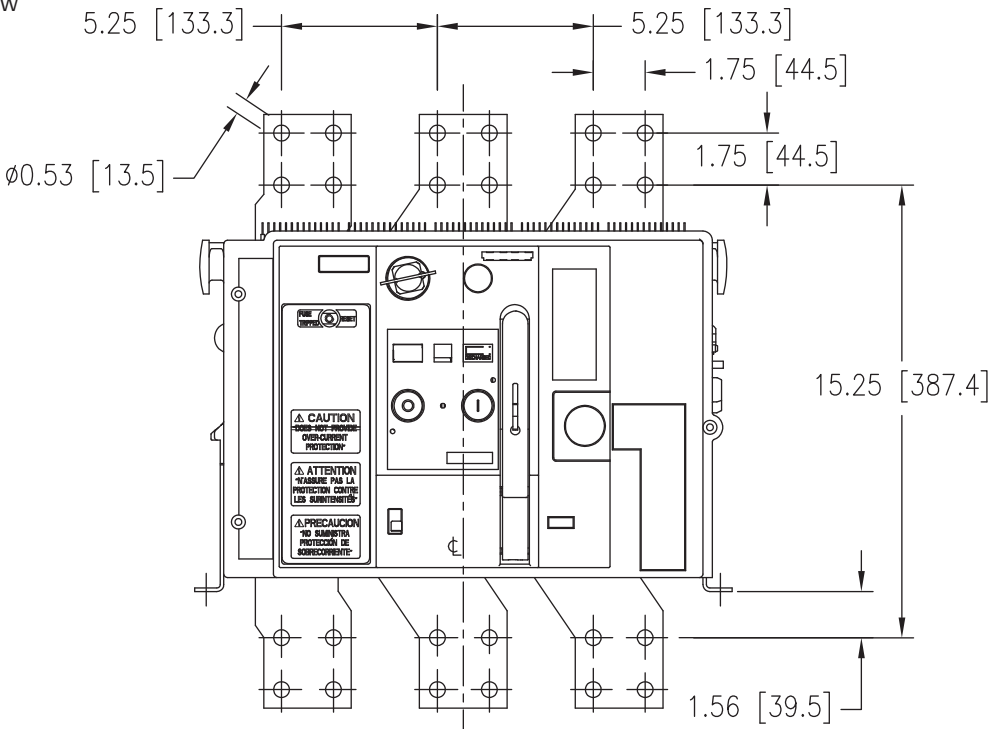
## UL489 Fixed-mount Breaker Dimensions

### Frame Size 1 Front Connectors

Top view



Front view

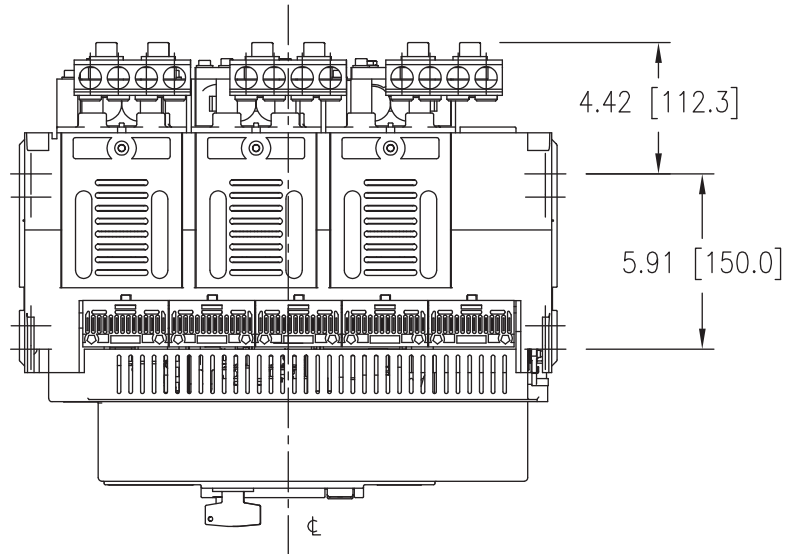


# Low Voltage Circuit Breaker

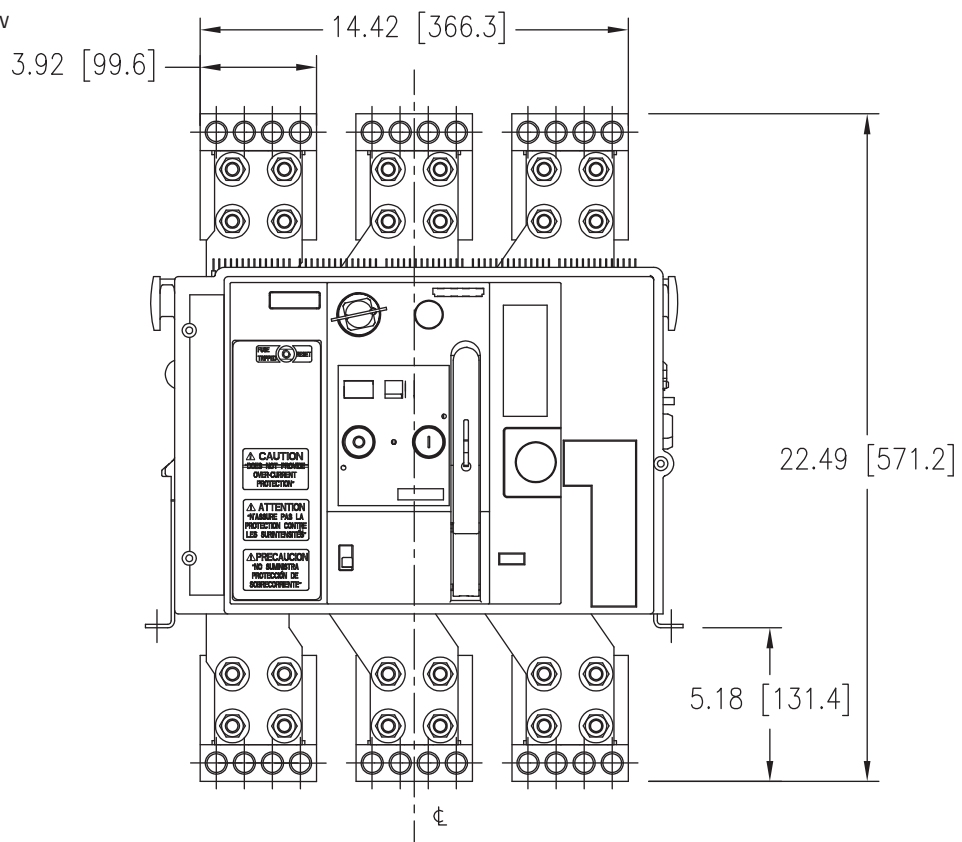
## UL489 Fixed-mount Breaker Dimensions

### Frame Size 1 Front Connectors and Lugs

Top view



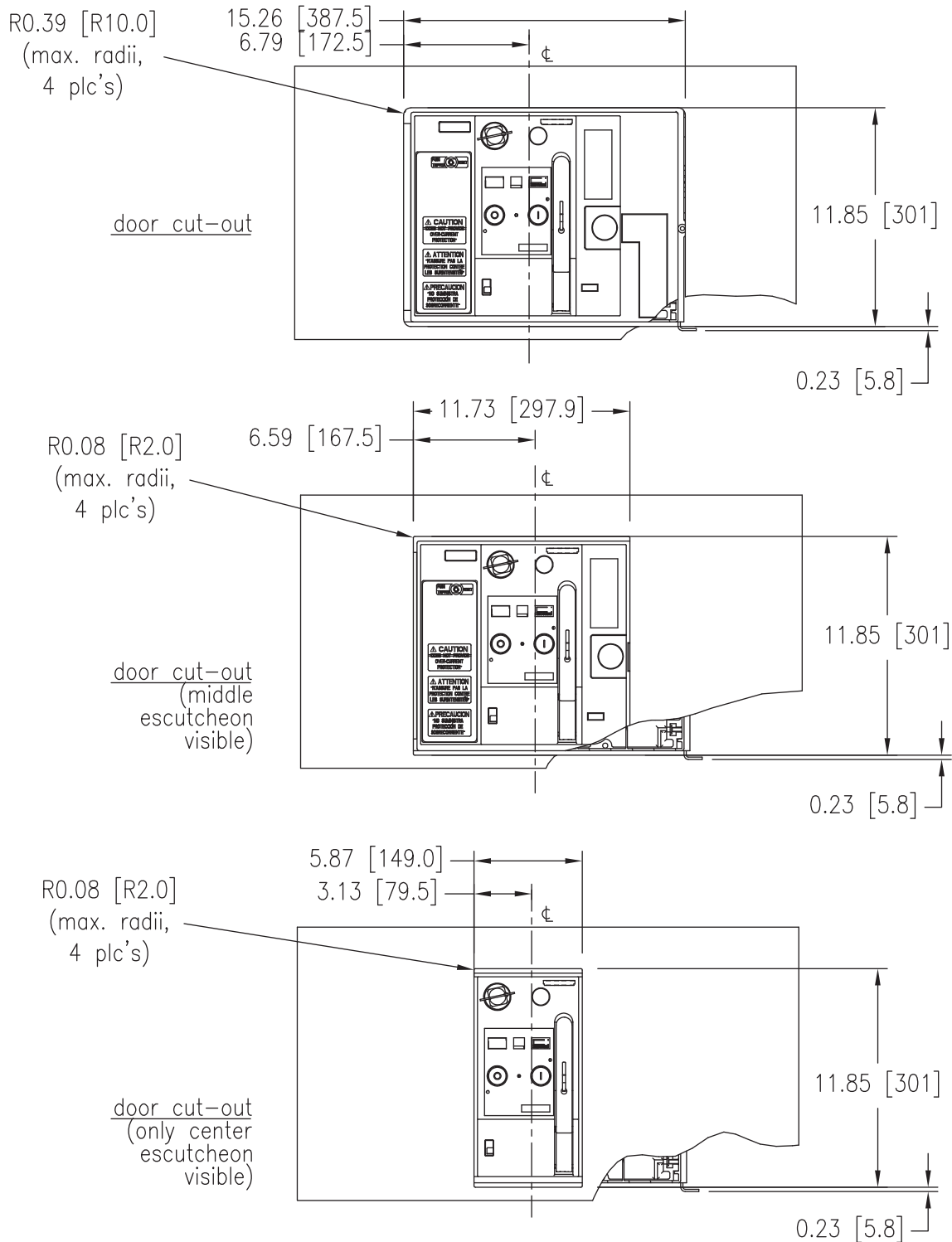
Front view



# Low Voltage Circuit Breaker

## UL489 Fixed-mount Breaker Dimensions

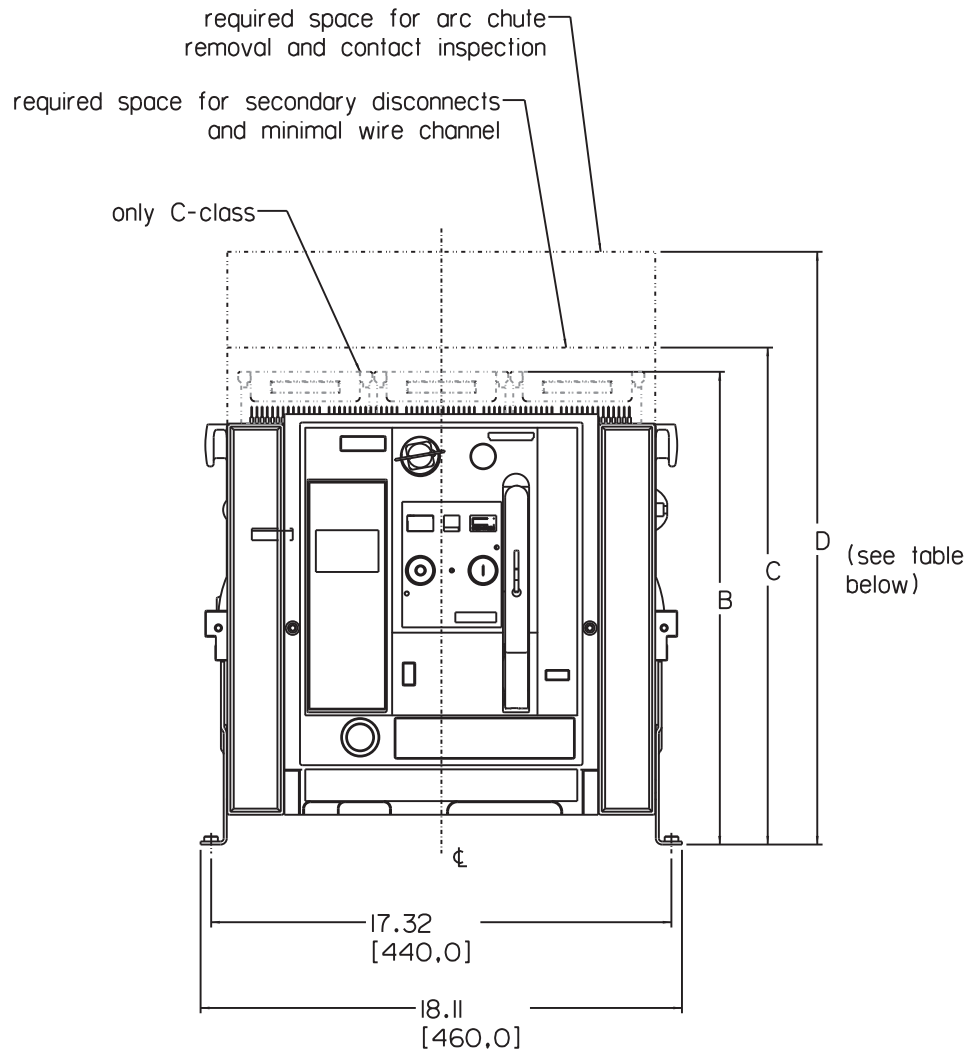
### Fixed Size 1 Door Cut-outs



# Low Voltage Circuit Breaker

## UL489 Fixed-mount Breaker Dimensions

### Frame Size 2



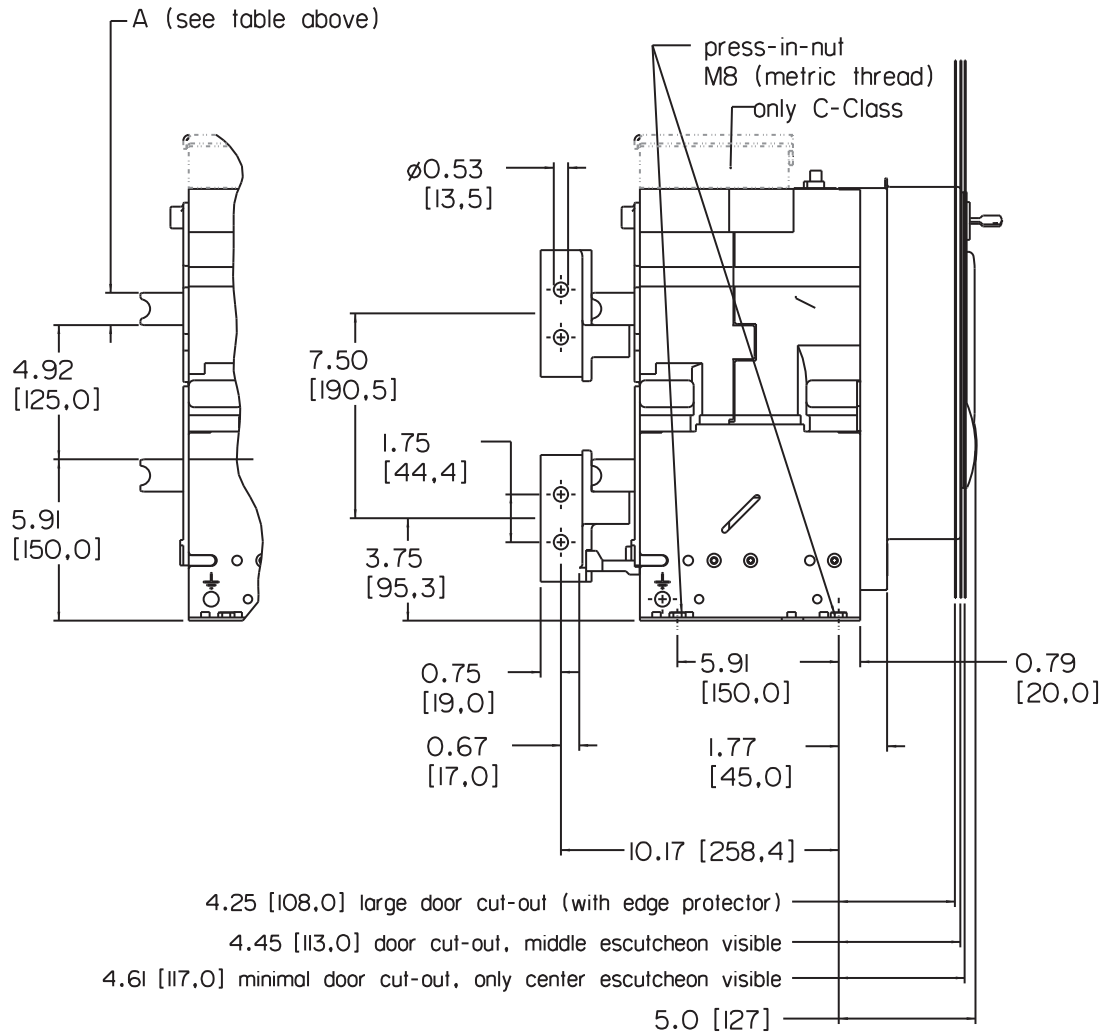
Interrupting class	Dimension B	Dimension C	Dimension D
S/L	15.85 [402.5]	18.70 [475.0]	22.30 [566.5]
C	17.80 [452.10]	18.70 [475.0]	25.20 [640.0]

# Low Voltage Circuit Breaker

## UL489 Fixed-mount Breaker Dimensions

### Frame Size 2 Optional Vertical Connectors

Interrupting Class	Rated Current	Dimension A
S/L	max. 1600 A	0.39 [10]
S/L	max. 2000 A	0.59 [15]
S/L	max. 3000 A	1.18 [30]
C	1600 - 3000 A	1.18 [30]

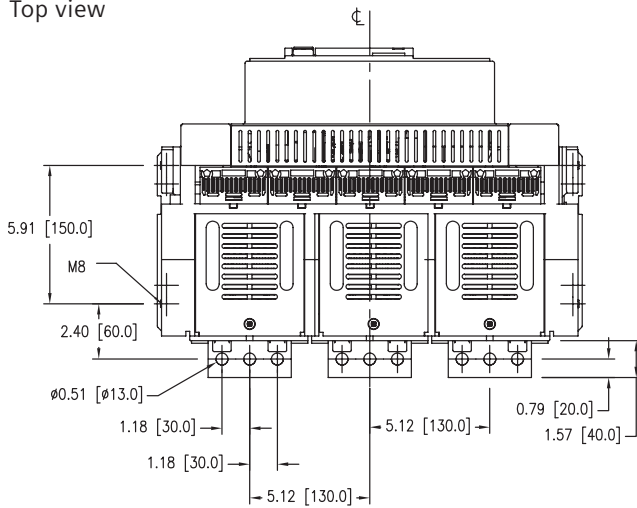


# Low Voltage Circuit Breaker

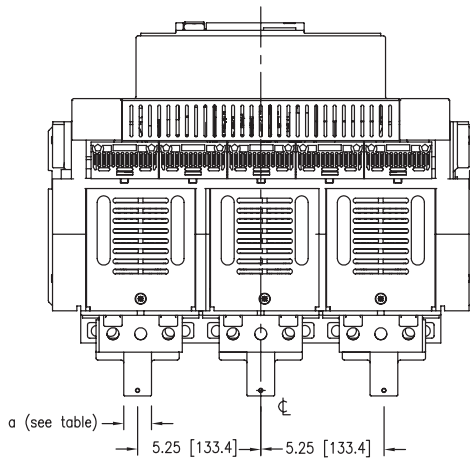
## UL489 Fixed-mount Breaker Dimensions

### Frame Size 2 Optional Vertical Connectors

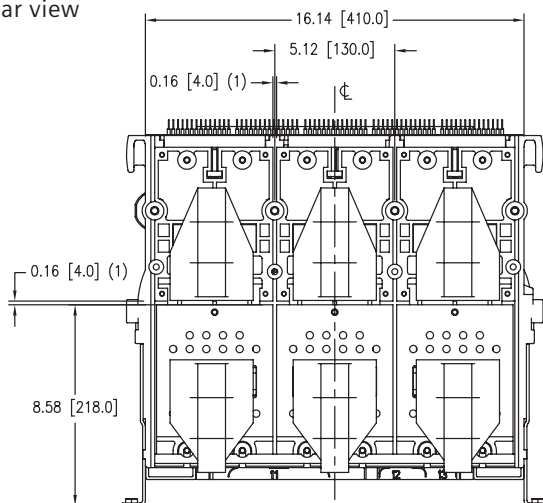
Top view



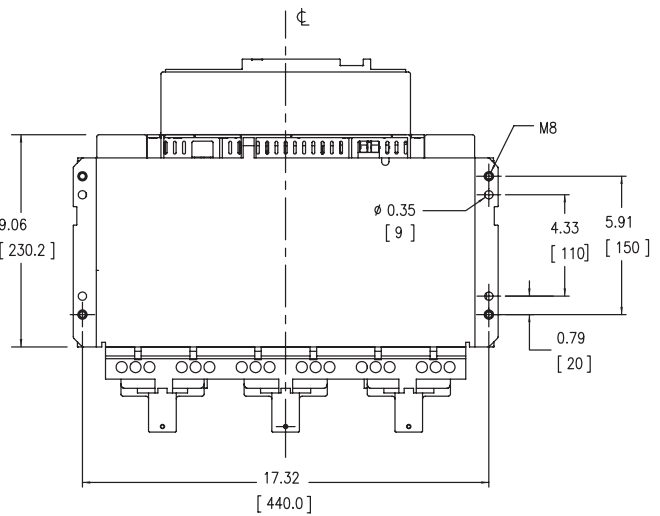
Rated Current	Dimension A
max. 1600 A	0.39 [10]
max. 2000 A	0.59 [15]
max. 3000 A	1.18 [30]
C-class always	1.18 [30]



Rear view



(1) = Slots 0.2 [5] for insulation barriers

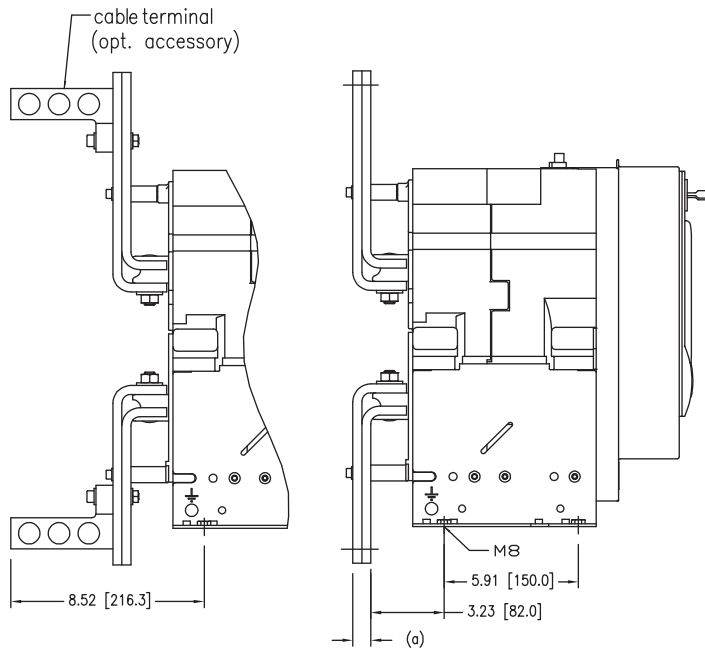


# Low Voltage Circuit Breaker

## UL489 Fixed-mount Breaker Dimensions

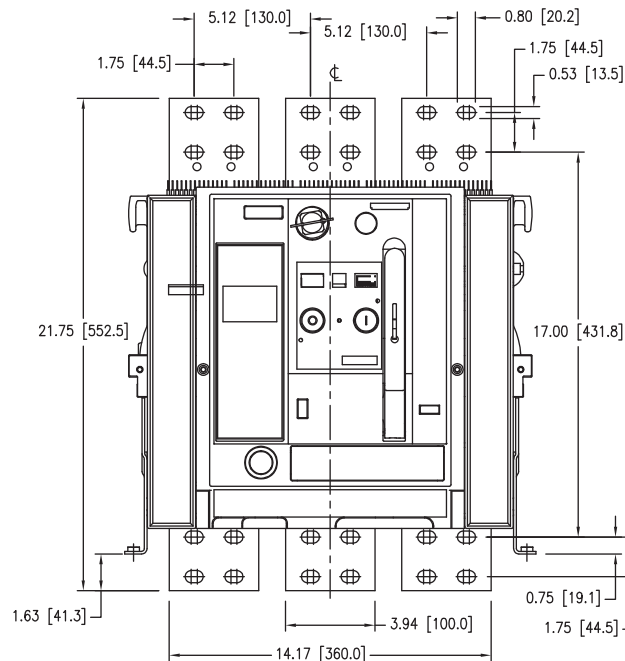
### Frame Size 2 Front Connectors

LH side view



Rated Current	Dimension A
max. 1600 A	0.39 [10]
max. 2000 A	0.79 [20]
max. 2500 A	0.79 [20]

Front view



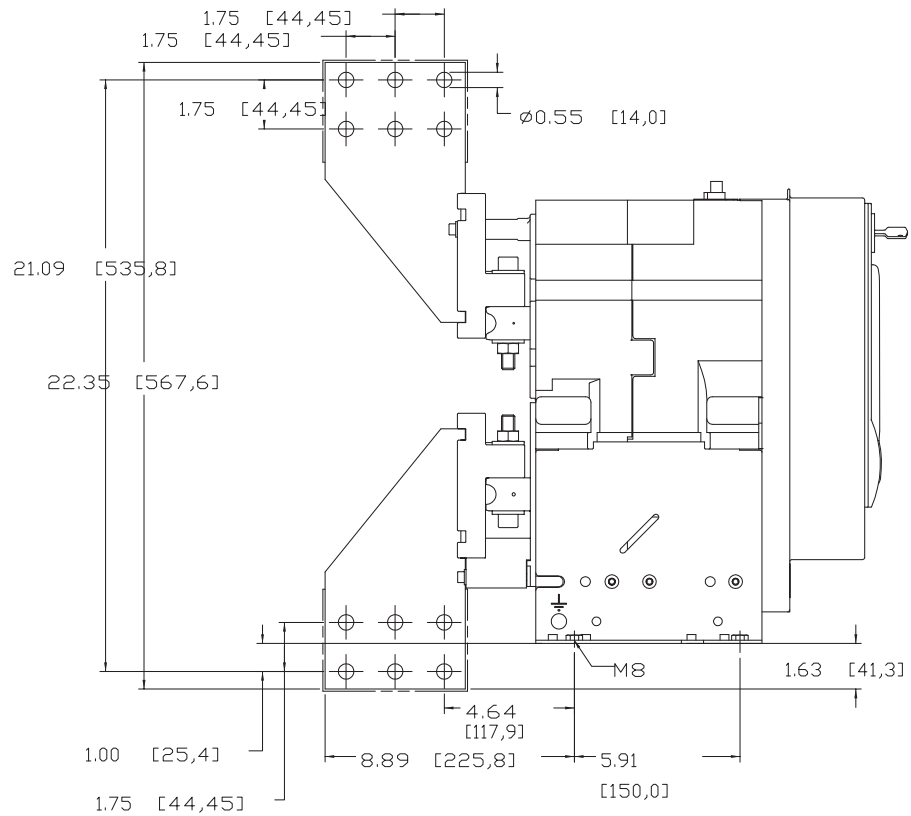
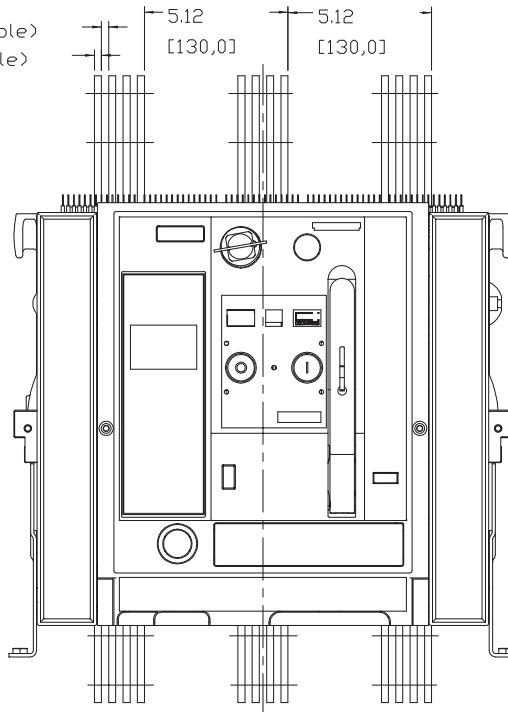


# Low Voltage Circuit Breaker

## UL489 Fixed-mount Breaker Dimensions

### Frame Size 2 3000A Front Connectors

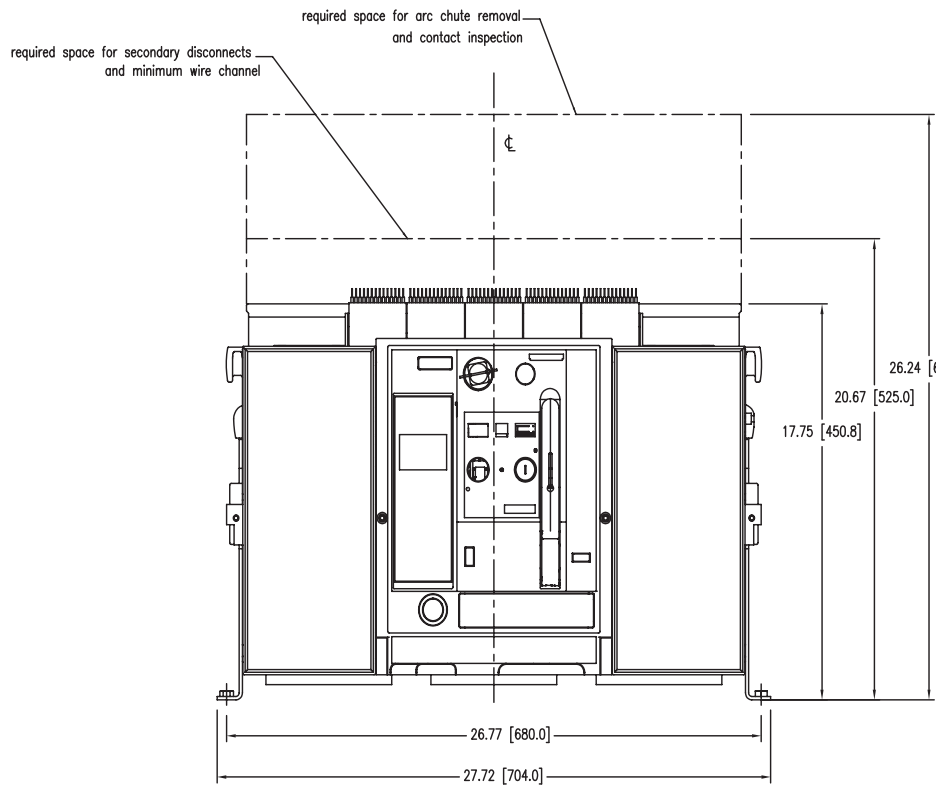
0.26 [6,65](3x each pole)  
0.25 [6,4](4x each pole)



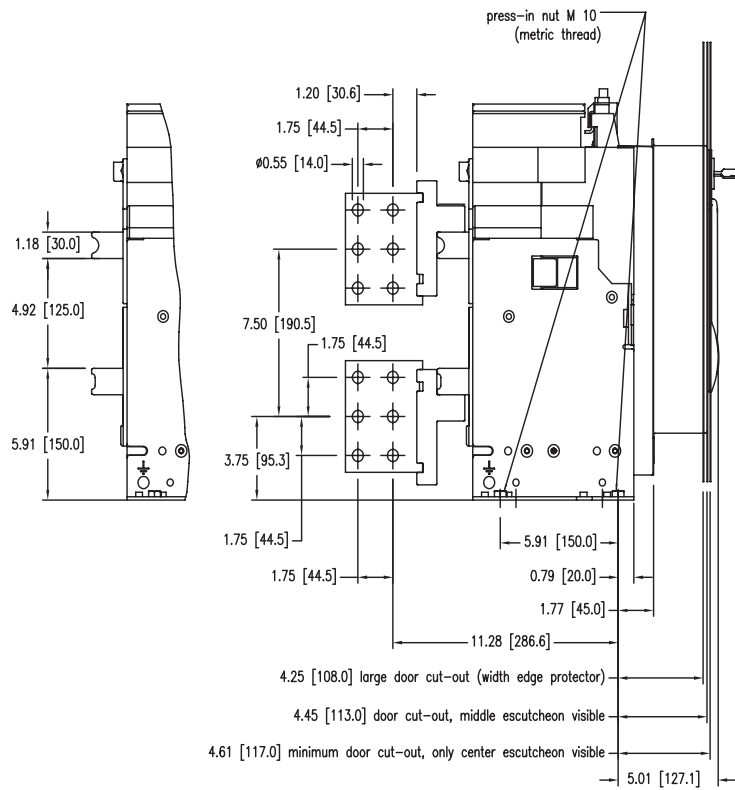
# Low Voltage Circuit Breaker

## UL489 Fixed-mount Breaker Dimensions

### Frame Size 3



LH side view

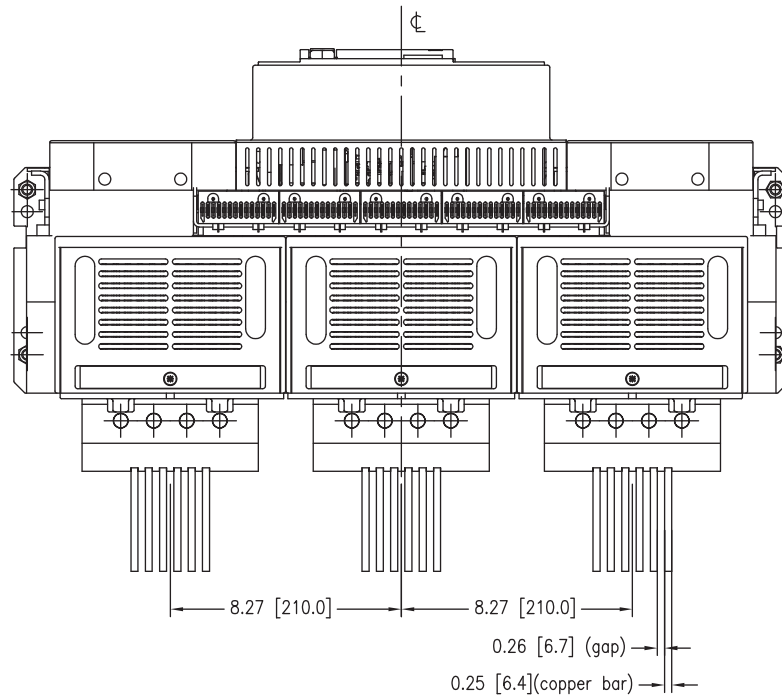


# Low Voltage Circuit Breaker

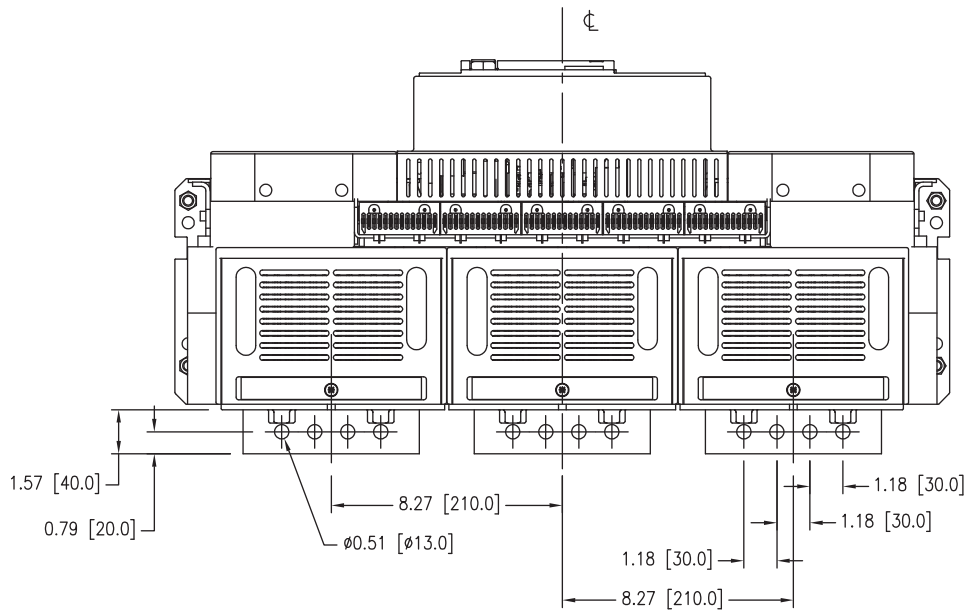
## UL489 Fixed-mount Breaker Dimensions

### Frame Size 3 Vertical Connectors and Horizontal Stabs

Top view



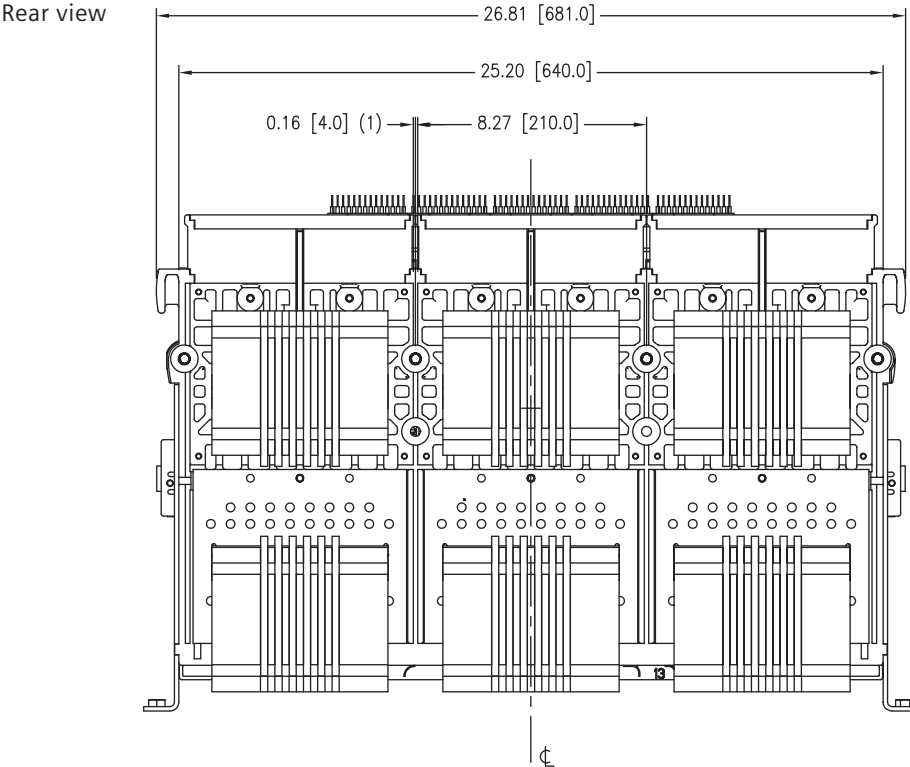
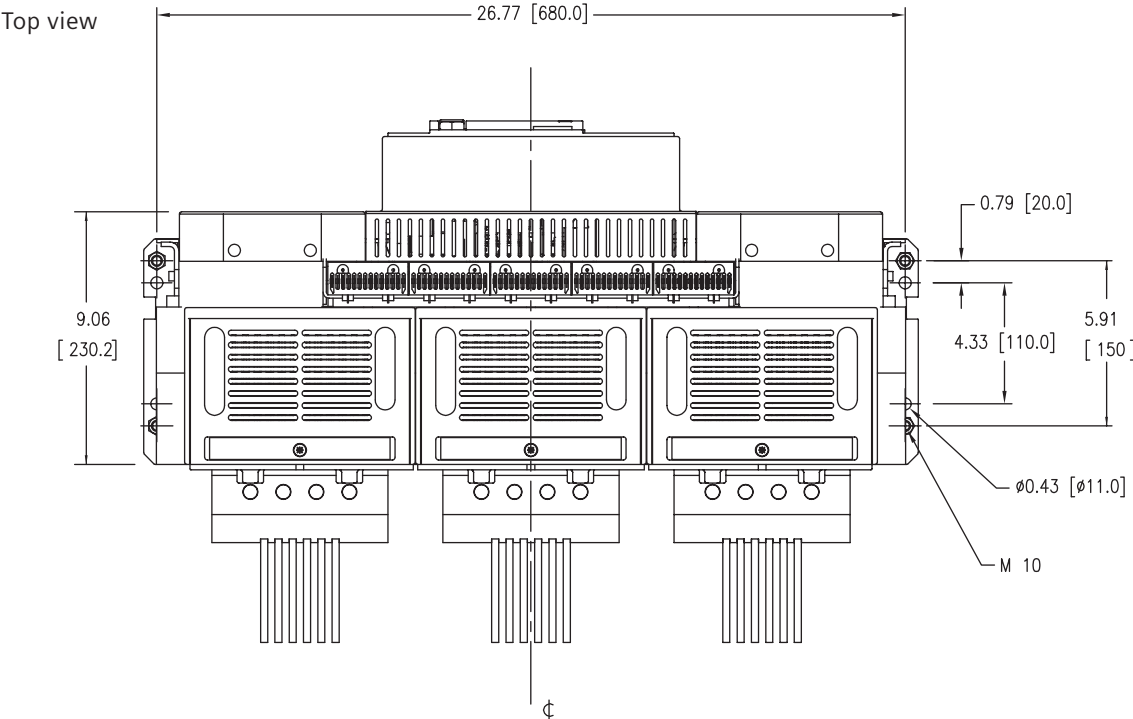
Top view



# Low Voltage Circuit Breaker

## UL489 Fixed-mount Breaker Dimensions

### Frame Size 3



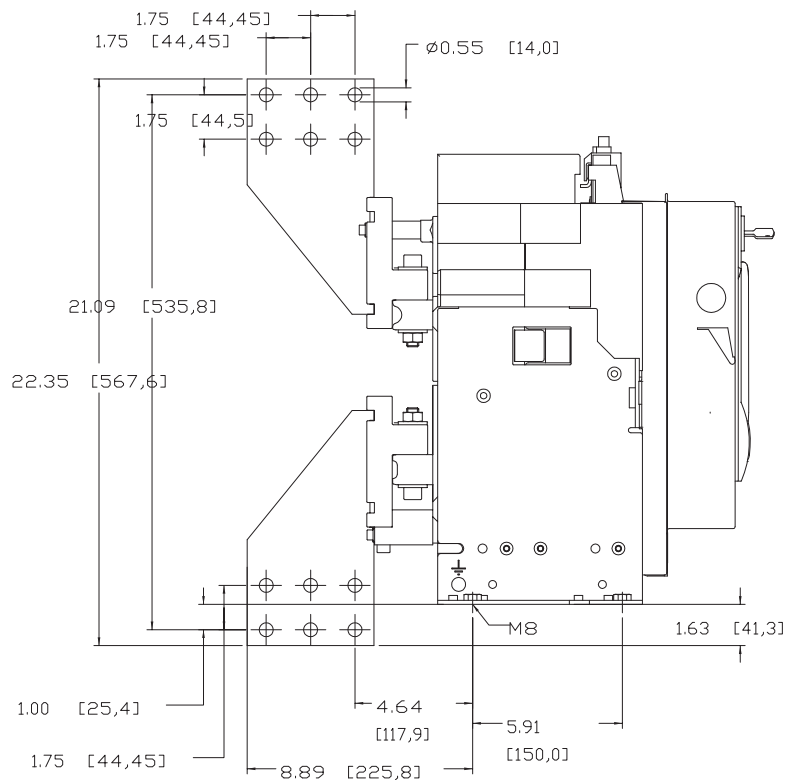
(1) = Slots 0.2 [5] for insulation barriers

# Low Voltage Circuit Breaker

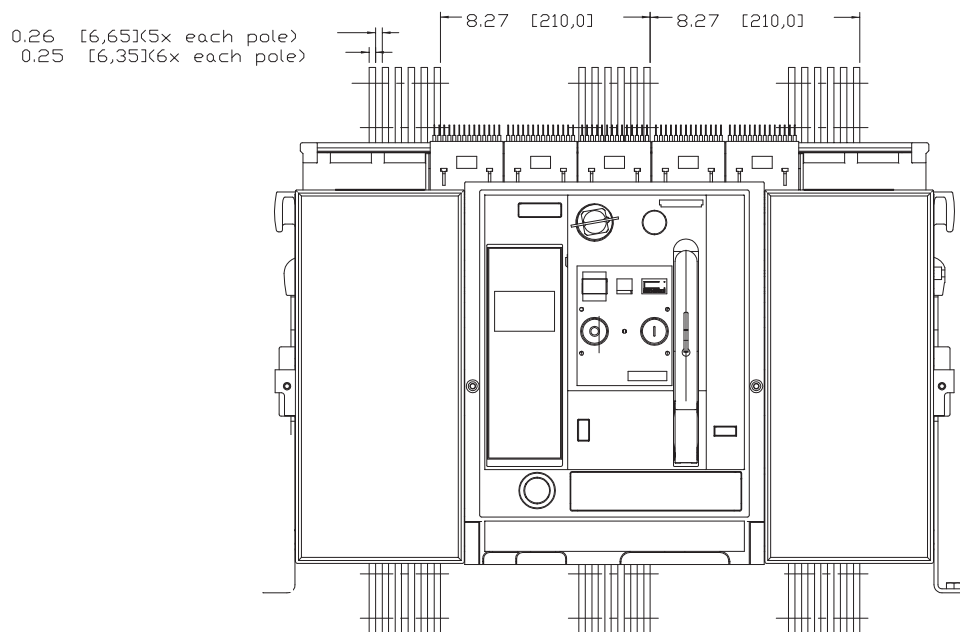
## UL489 Fixed-mount Breaker Dimensions

### Frame Size 3 5000A Vertical Connectors

LH side view



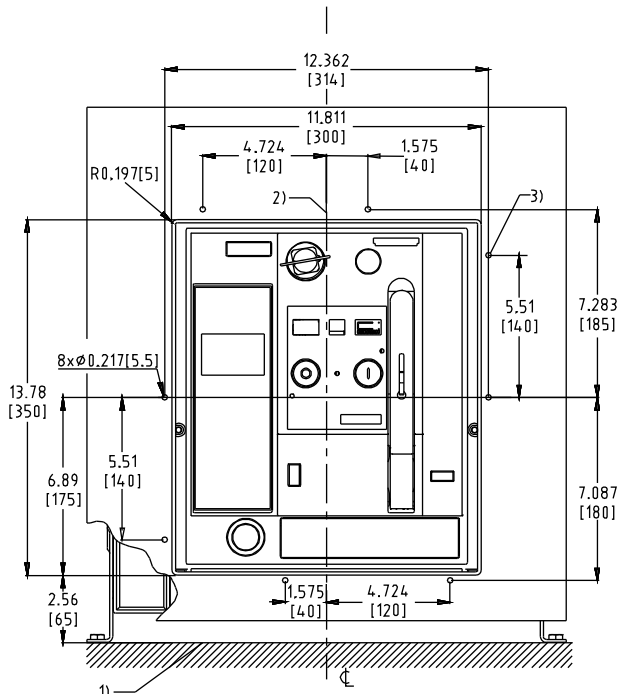
Front view



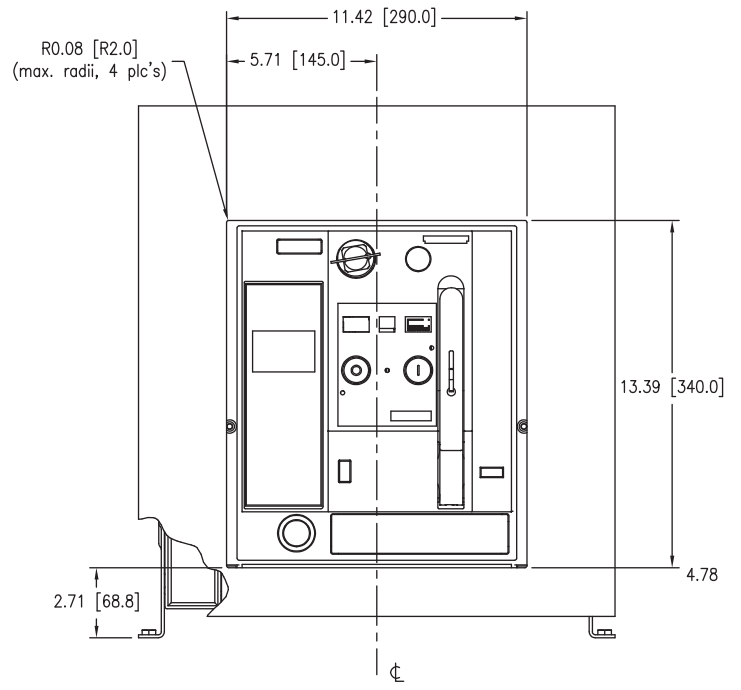
# Low Voltage Circuit Breaker

## UL489 Fixed-mount Breaker Dimensions

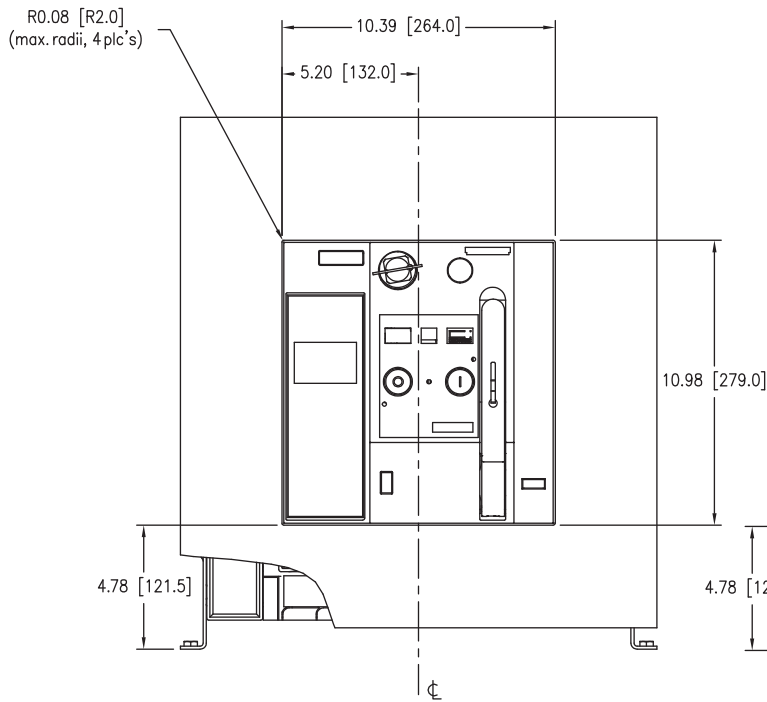
### Frame Size 2 and 3 Door Cut-outs



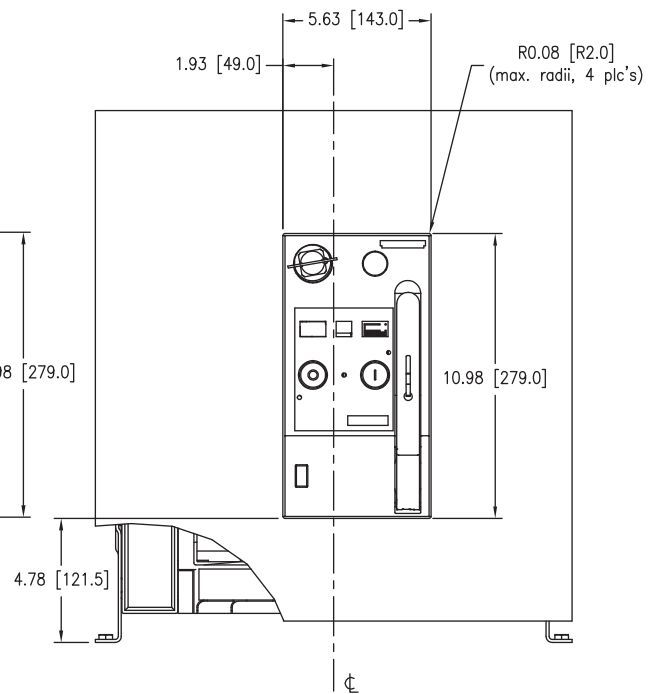
Door cut-out and mounting holes for Door Sealing Frame



Door cut-out (after mounting Door Sealing Frame)



Door cut-out (Middle escutcheon visible)



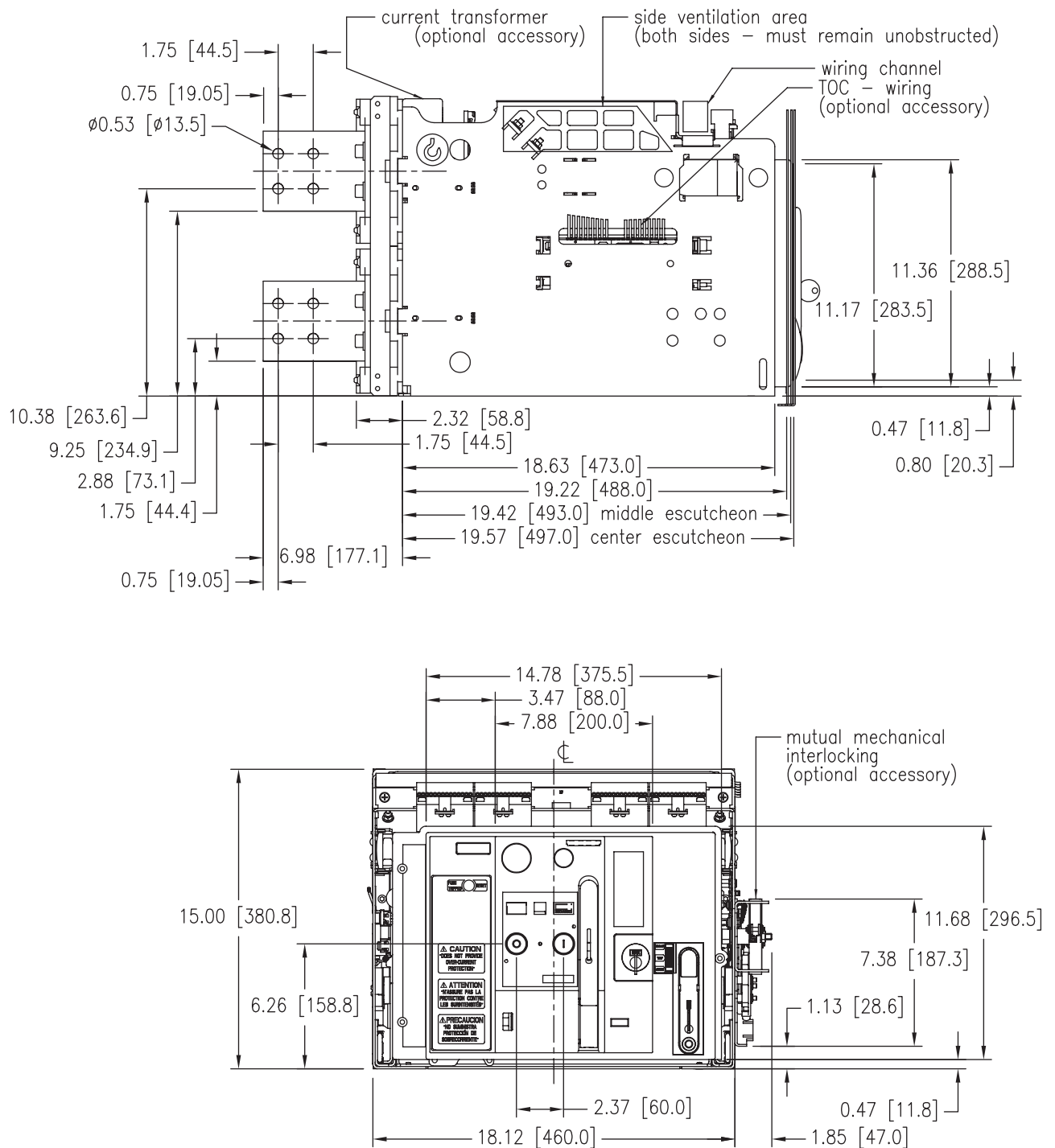
Minimal door cut-out (Only center escutcheon visible)

- 1) Breaker mounting surface.
- 2) Center of breaker front panel.
- 3) Drill eight holes for mounting door sealing frame.

# Low Voltage Circuit Breaker

## UL489 Draw-out Breaker Dimensions

### Frame Size 1

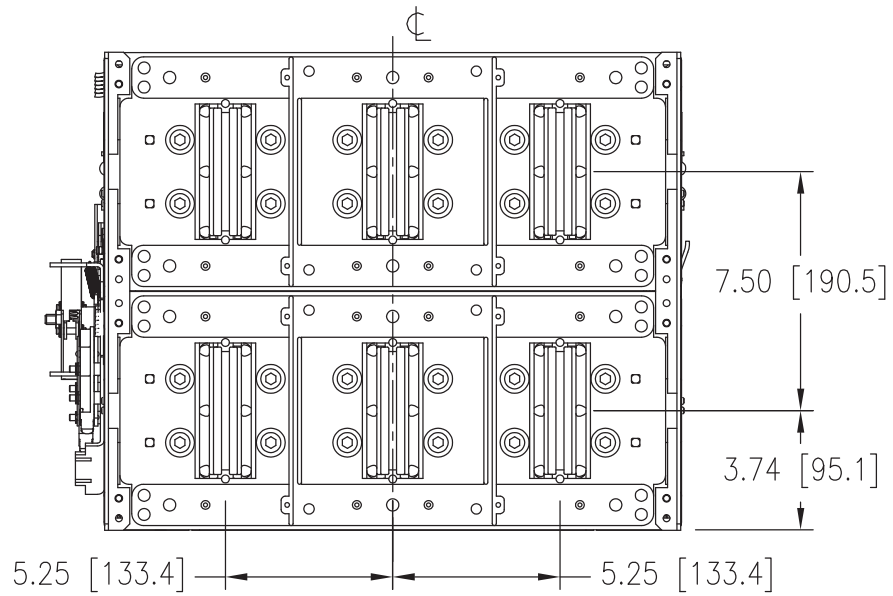


# Low Voltage Circuit Breaker

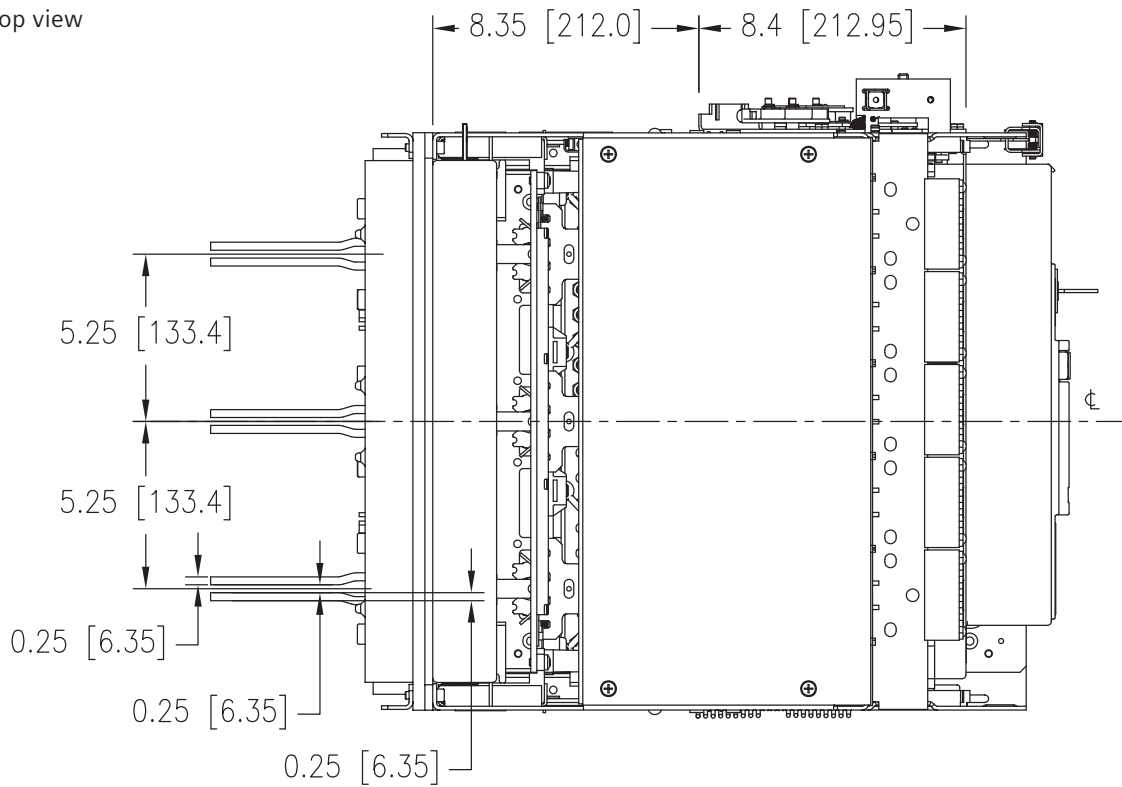
## UL489 Draw-out Breaker Dimensions

### Frame Size 1 Vertical Connectors

Rear view



Top view



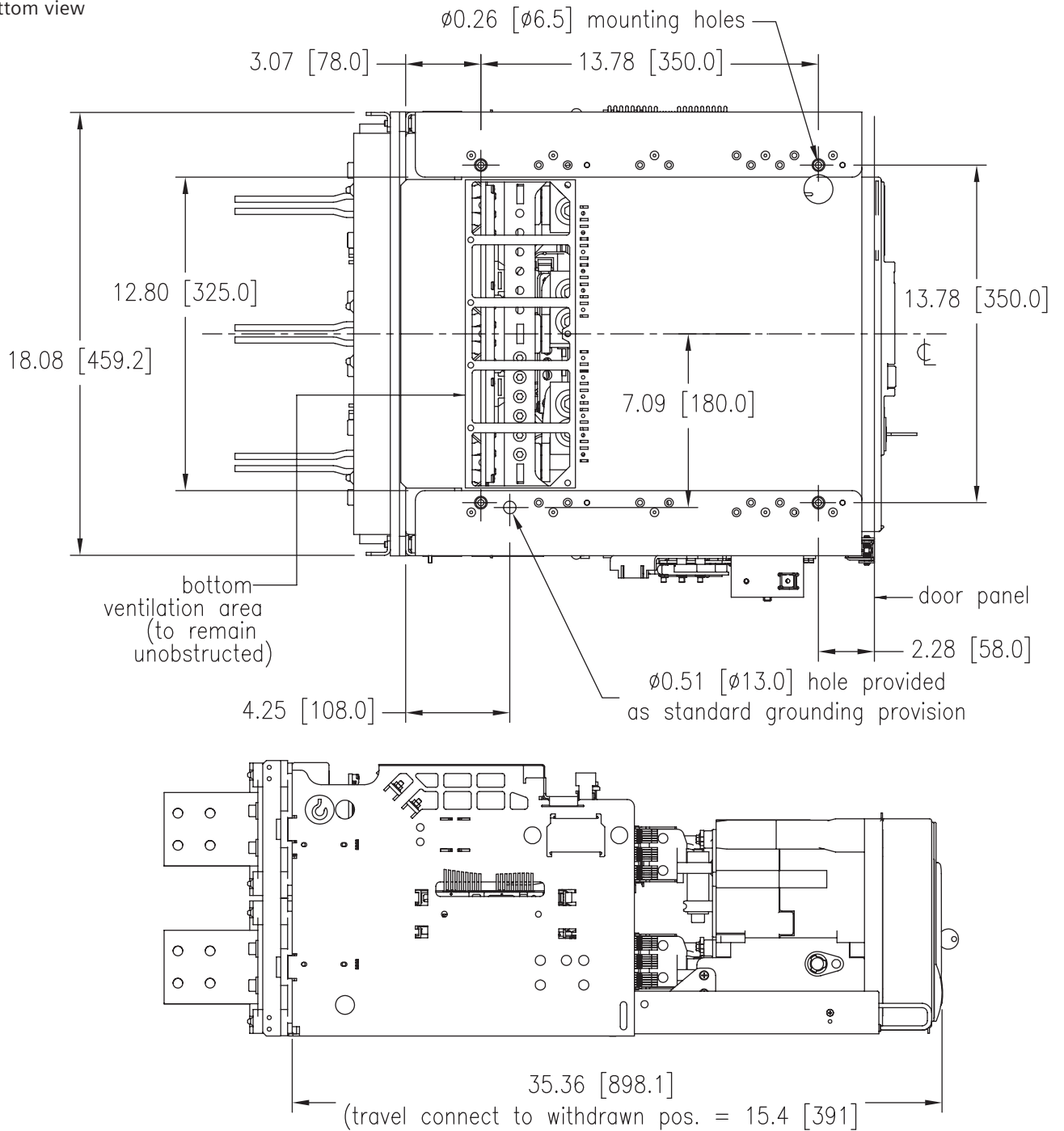


# Low Voltage Circuit Breaker

## UL489 Draw-out Breaker Dimensions

### Frame Size 1

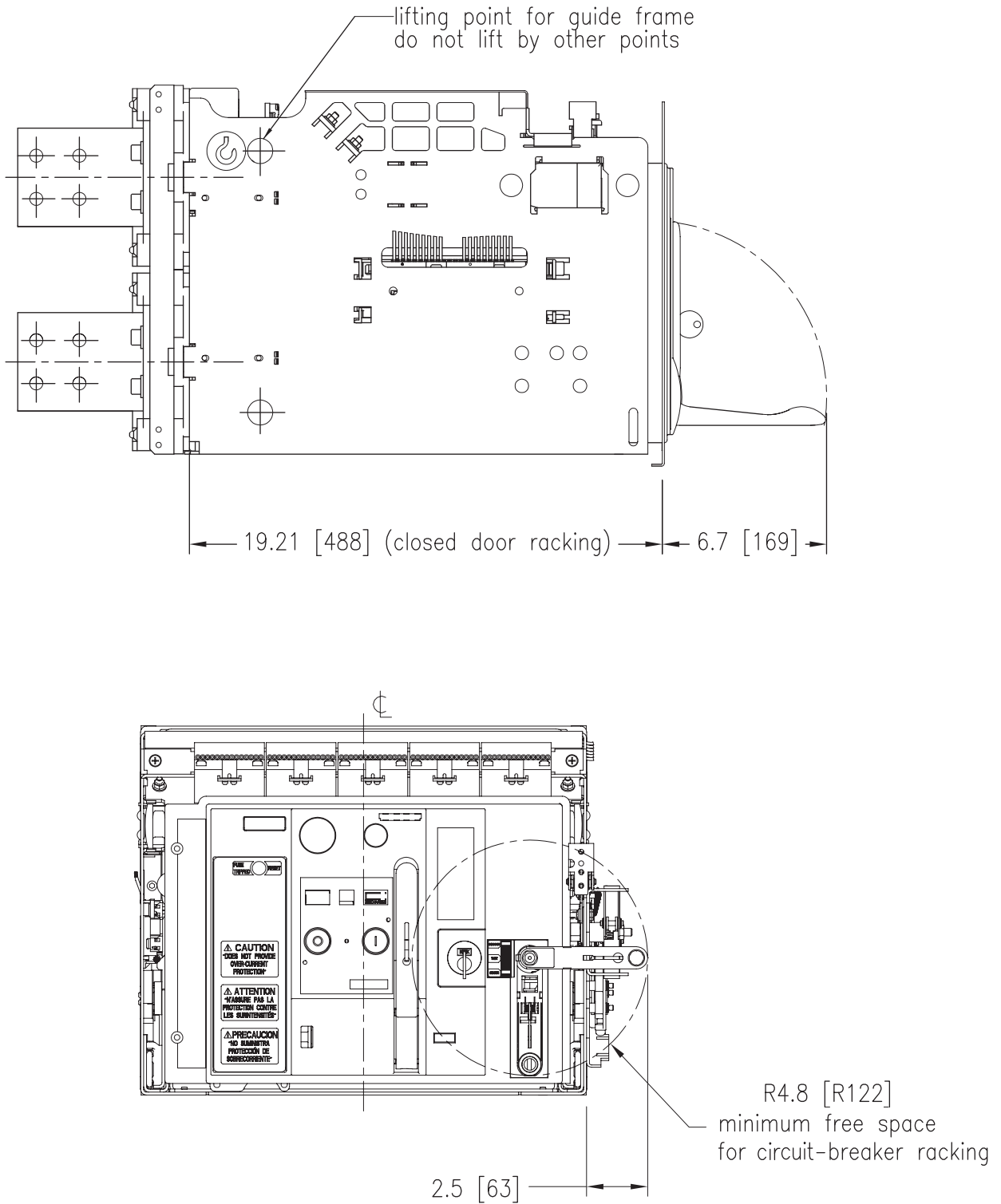
Bottom view



# Low Voltage Circuit Breaker

## UL489 Draw-out Breaker Dimensions

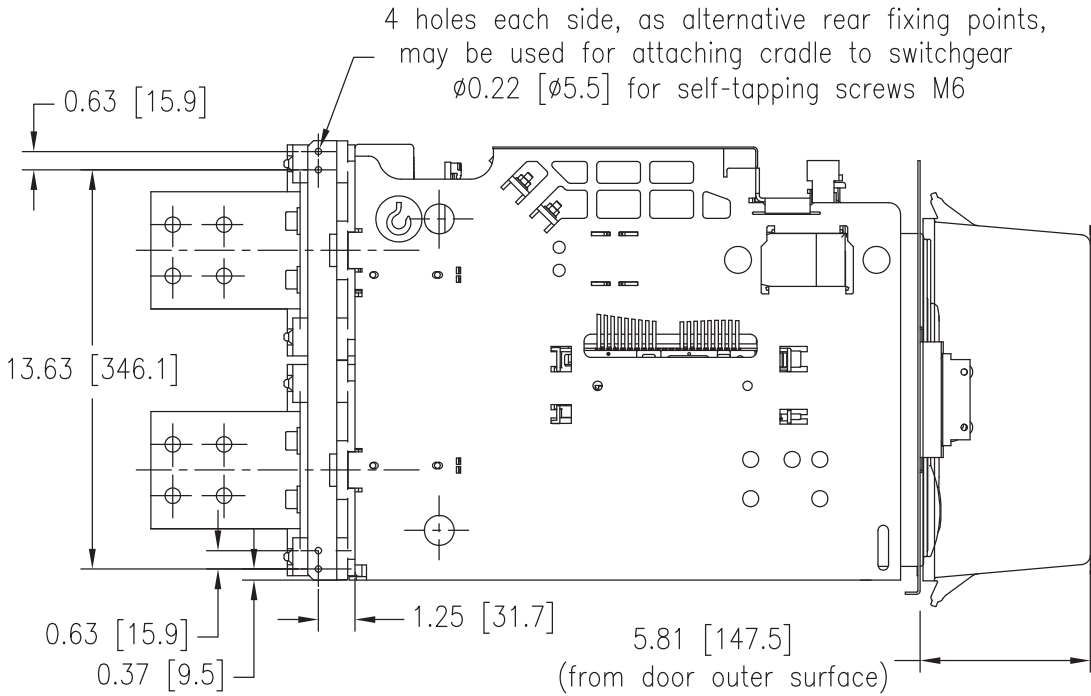
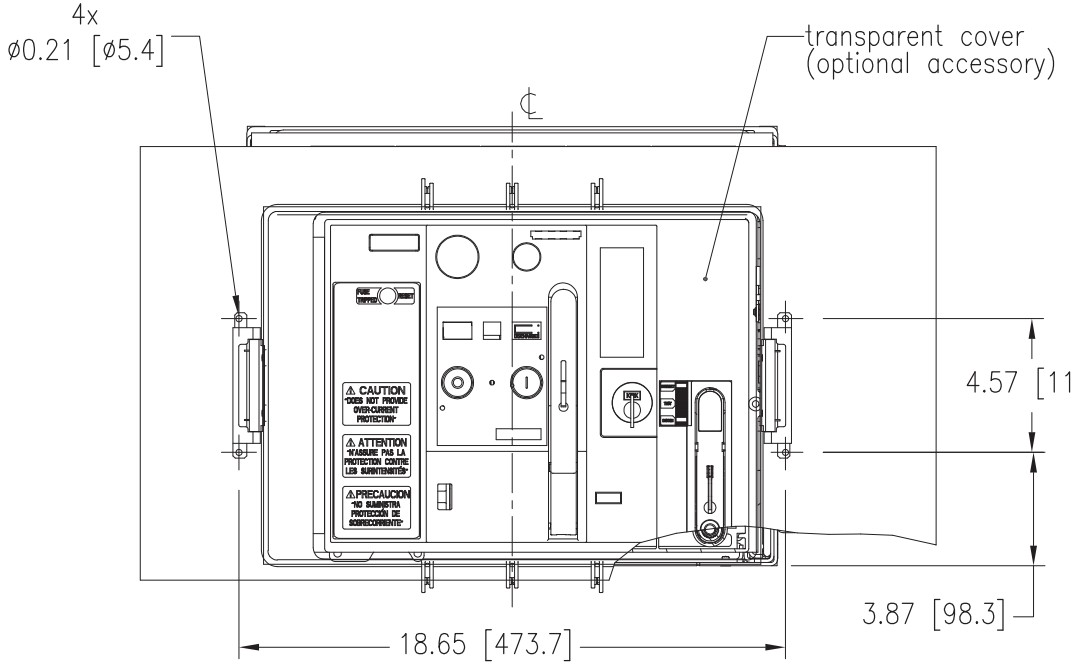
### Frame Size 1 Charging and Racking



# Low Voltage Circuit Breaker

## UL489 Draw-out Breaker Dimensions

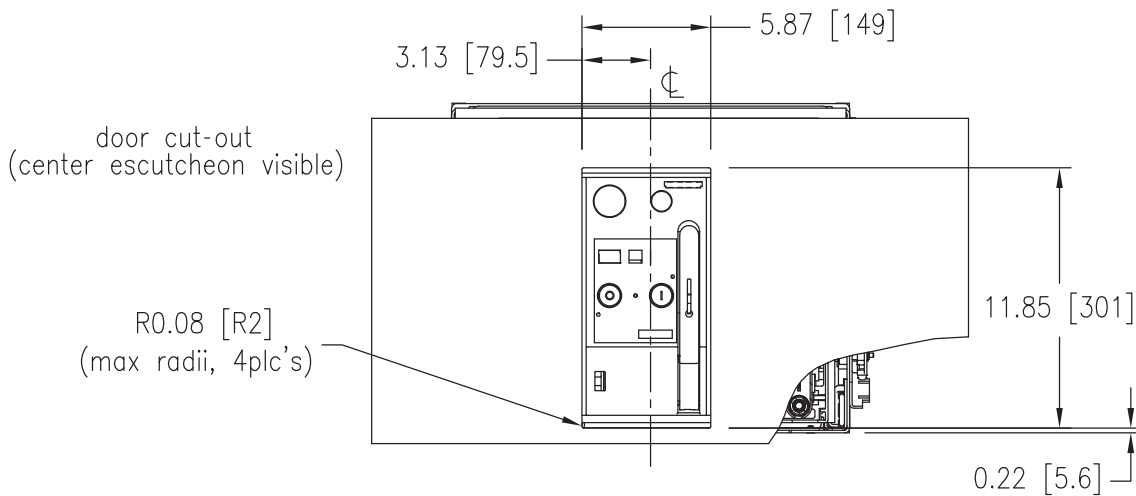
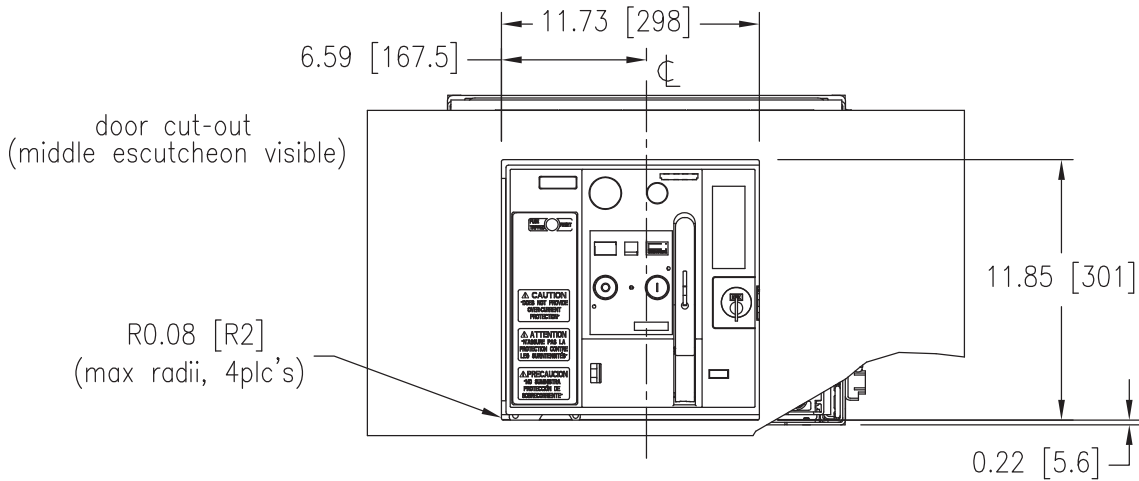
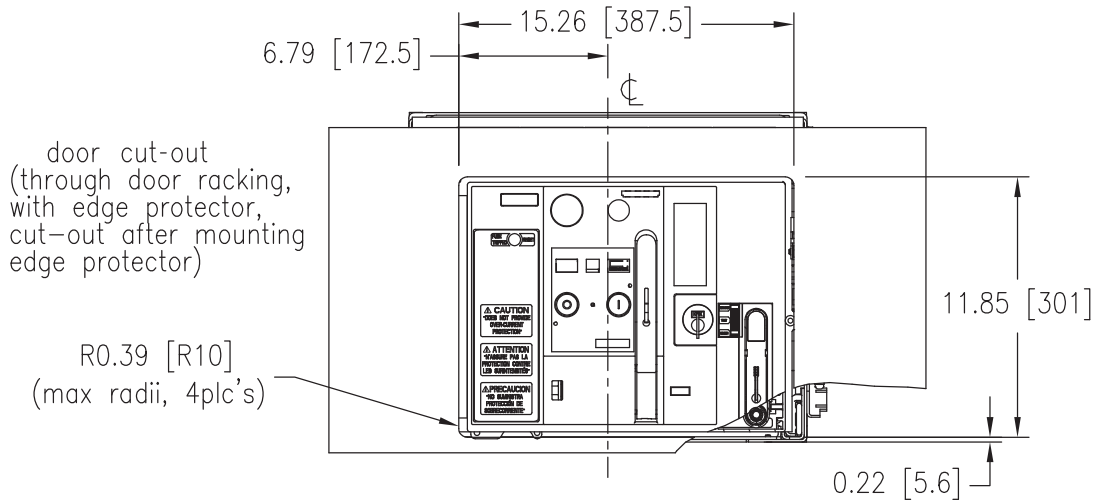
Frame Size 1  
Plexiglass Cover



# Low Voltage Circuit Breaker

## UL489 Draw-out Breaker Dimensions

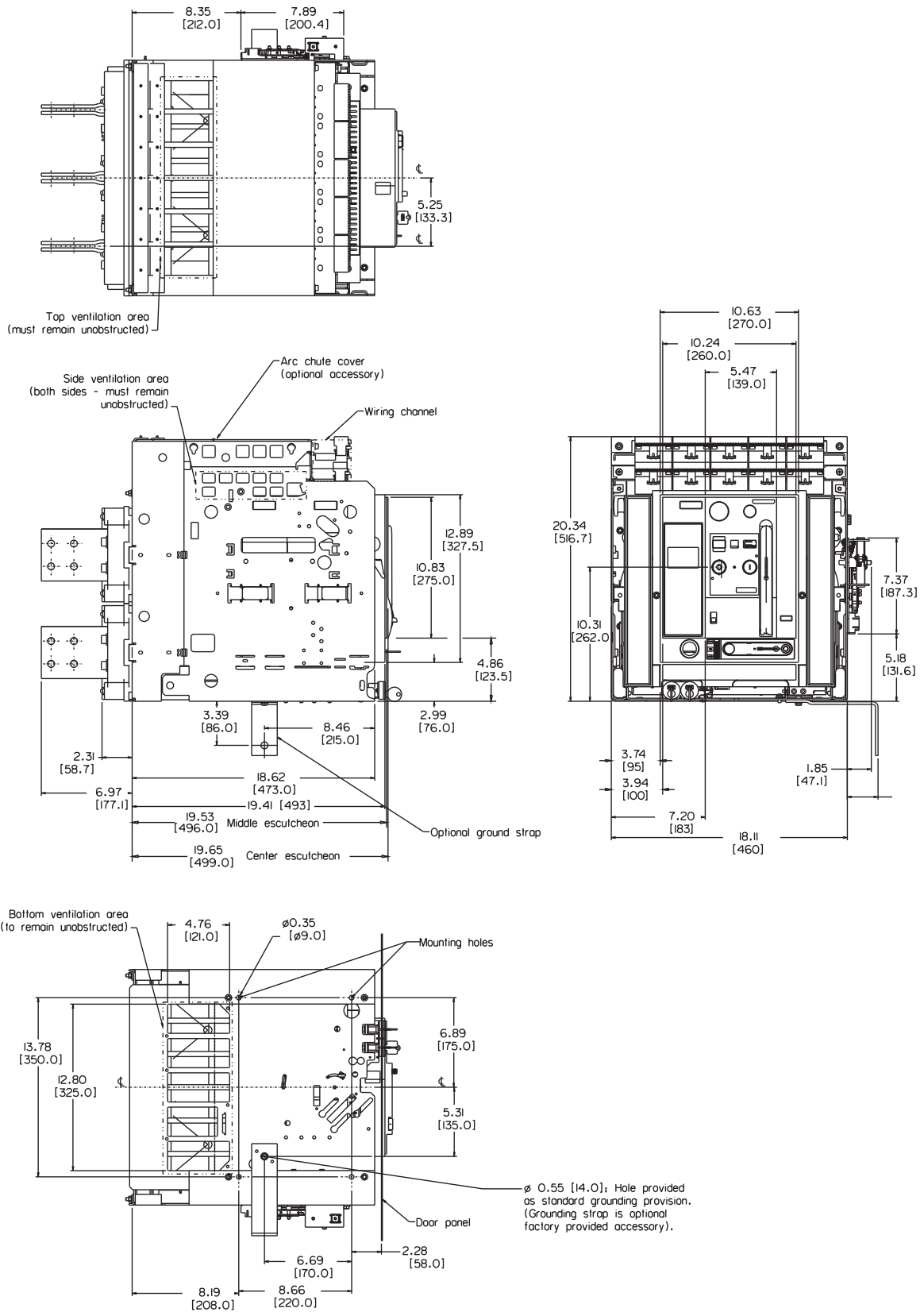
### Frame Size 1 Door Cut-outs



# Low Voltage Circuit Breaker

## UL489 Draw-out Breaker Dimensions

### Frame Size 2



# Low Voltage Circuit Breaker

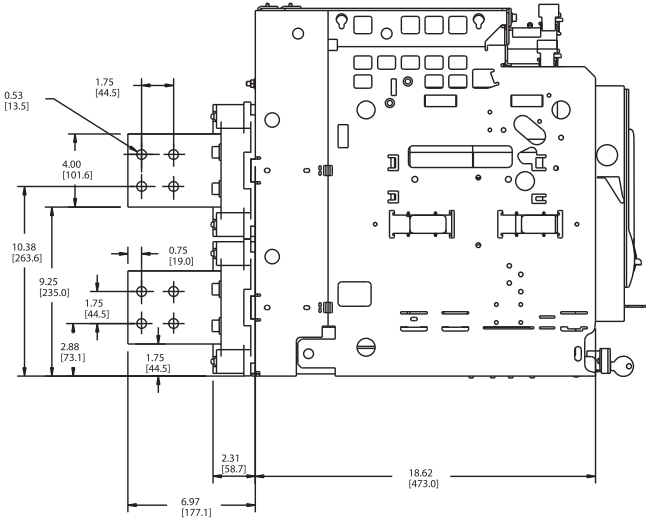
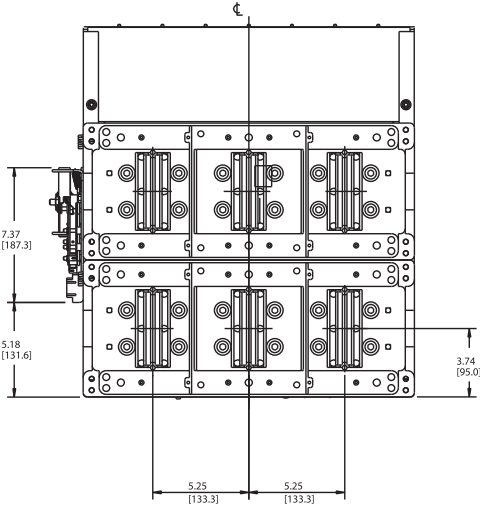
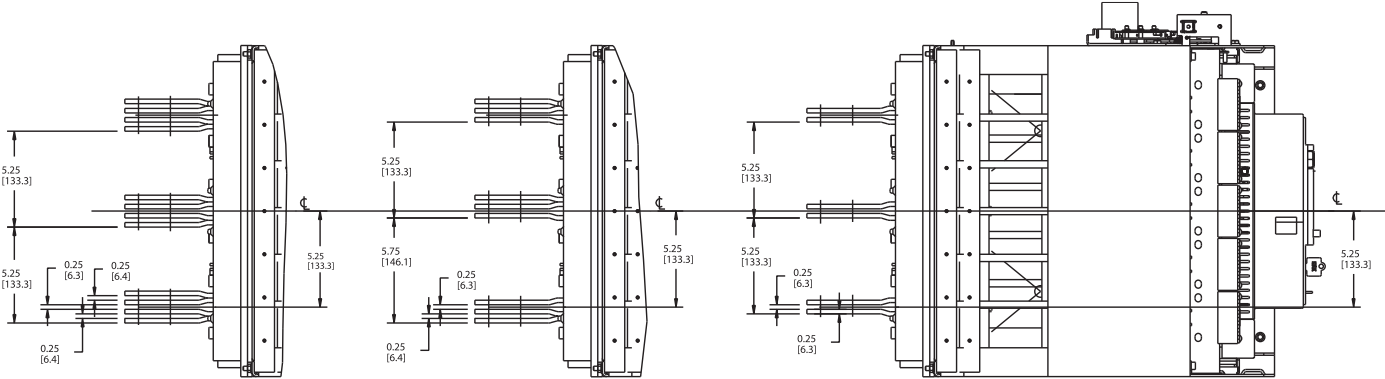
## UL489 Draw-out Breaker Dimensions

### Frame Size 2

2500/3000A

2000A

800/1200/1600A

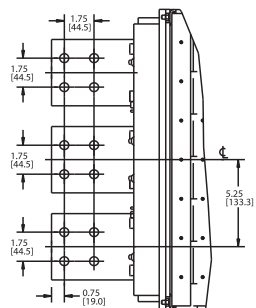


# Low Voltage Circuit Breaker

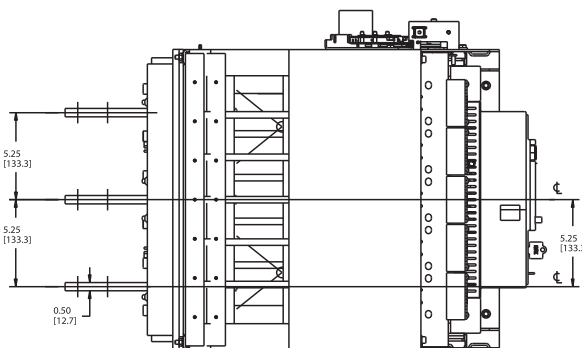
## UL489 Draw-out Breaker Dimensions

### Frame Size 2 Vertical Connectors and Optional Horizontal Connectors

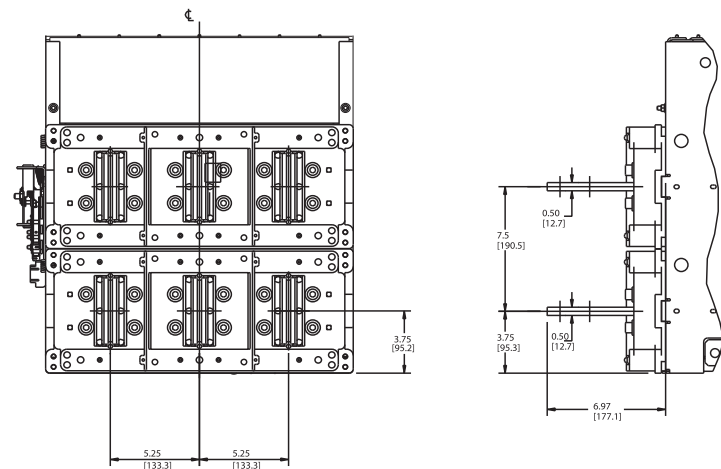
Horizontal Main Bus Connectors



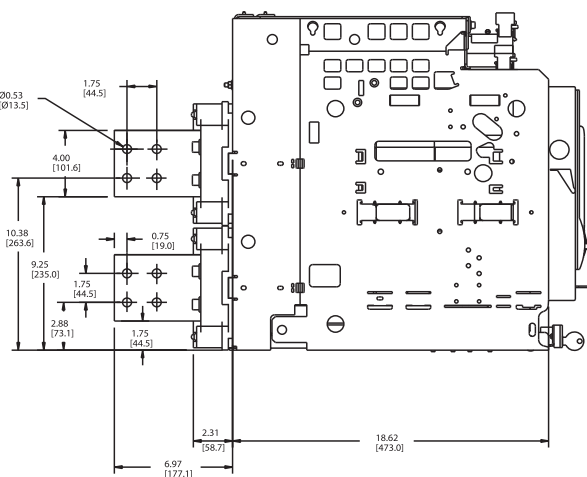
Vertical Main Bus Connectors



Horizontal Main Bus Connectors



Vertical Main Bus Connectors



**Note:**

Rotatable main bus connectors are only available under the following conditions:

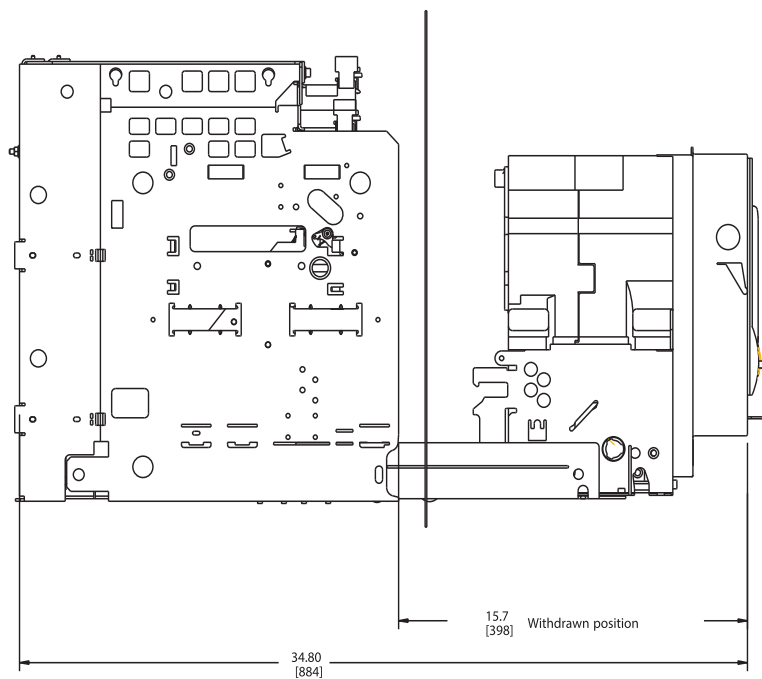
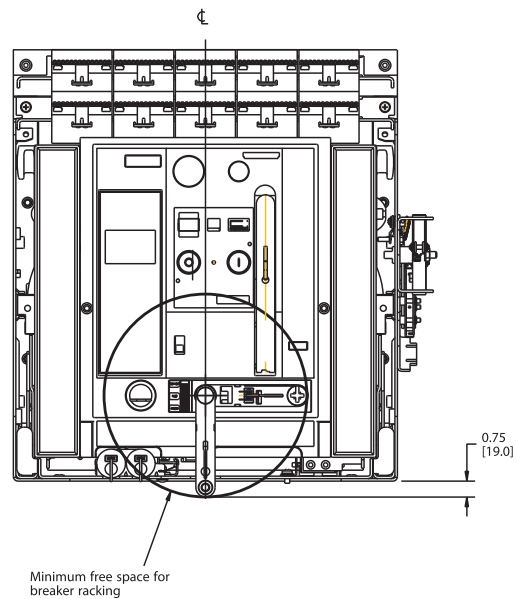
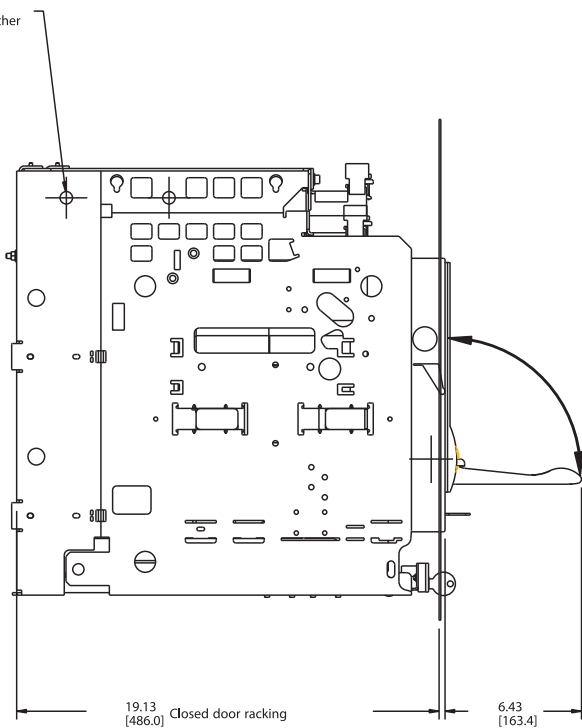
- (1) Only acceptable for FS II 800A-2000A Frame Sizes
- (2) Only acceptable for short circuit ratings of 85KAIC or less

# Low Voltage Circuit Breaker

## UL489 Draw-out Breaker Dimensions

### Frame Size 2 Charging, Racking and Draw-out

Lifting Point (Cradle only) Do not lift by other points.

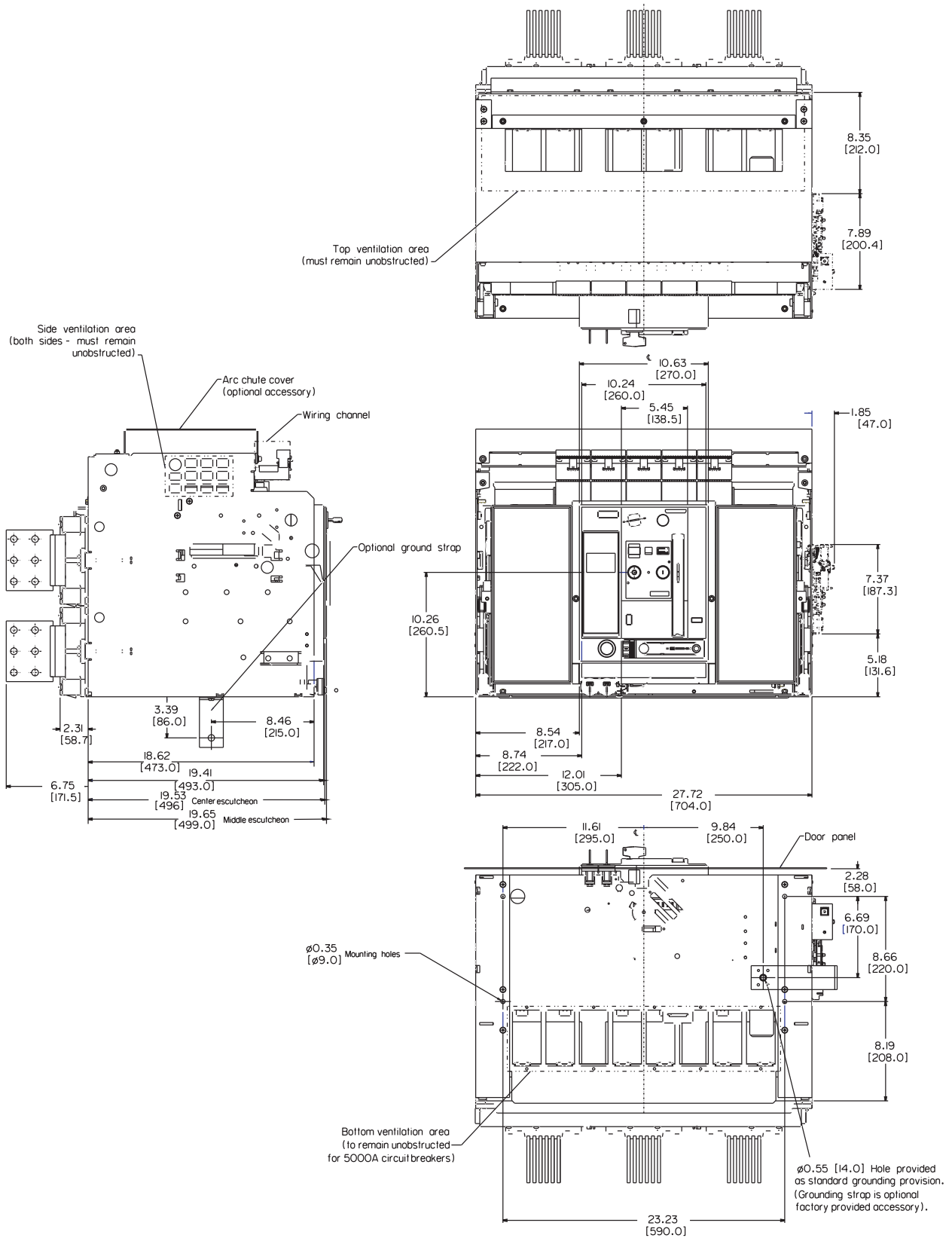




# Low Voltage Circuit Breaker

## UL489 Draw-out Breaker Dimensions

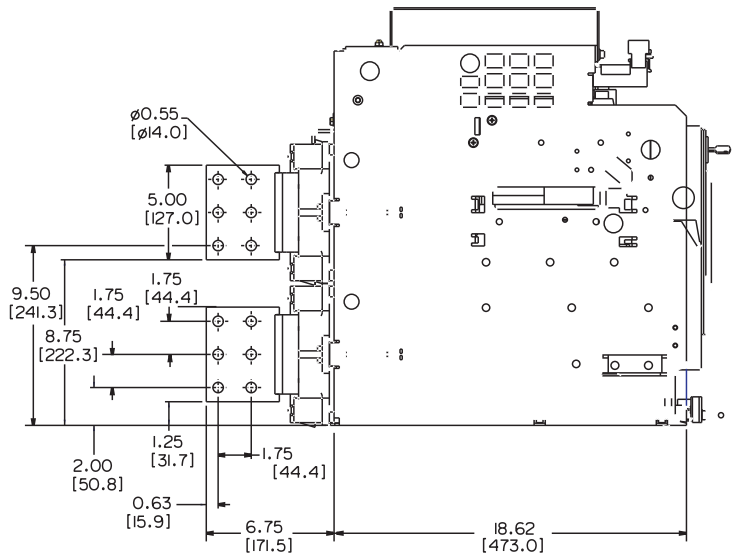
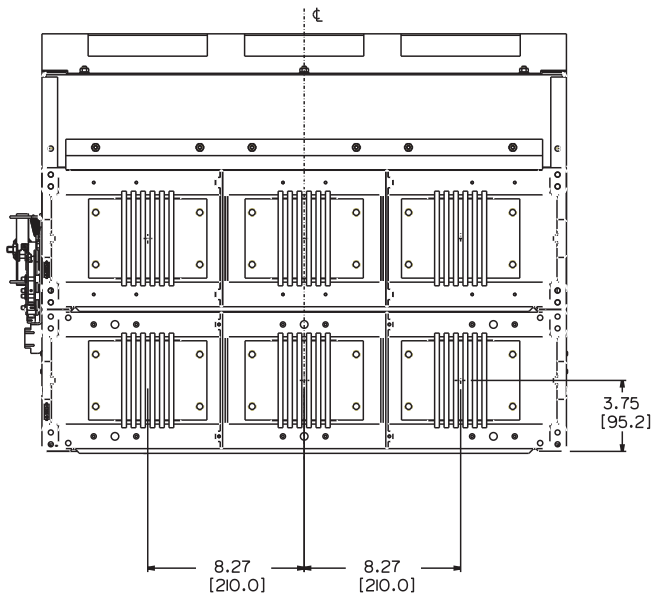
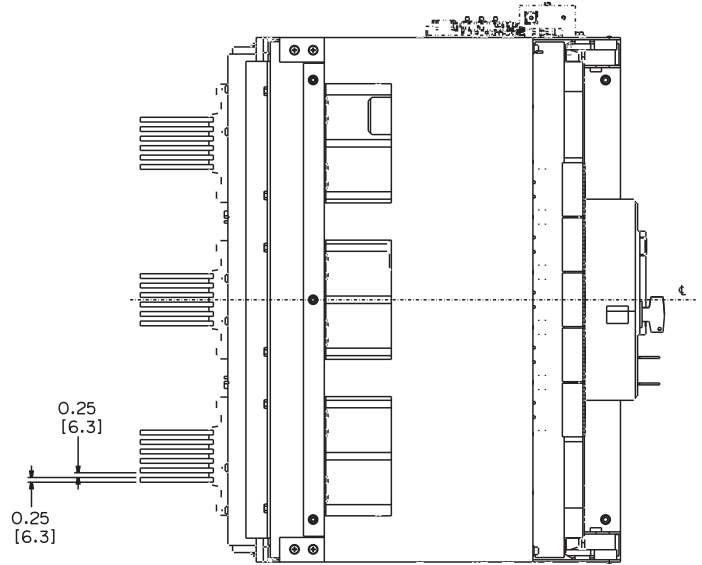
### Frame Size 3



# Low Voltage Circuit Breaker

## UL489 Draw-out Breaker Dimensions

Frame Size 3  
Vertical Connectors



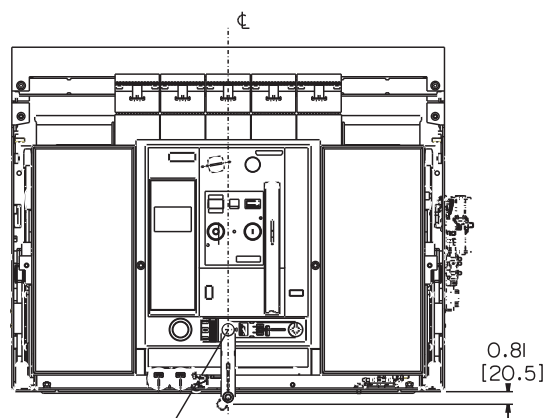
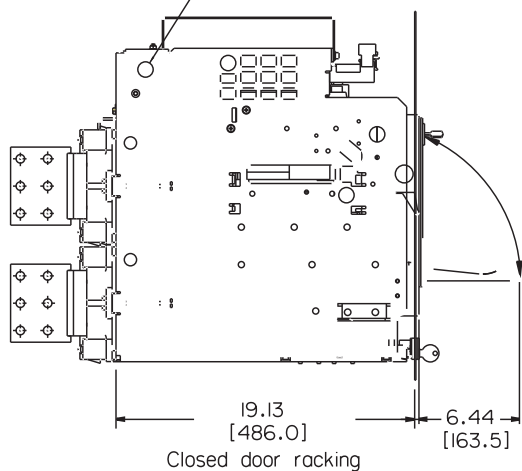
# Low Voltage Circuit Breaker

## UL489 Draw-out Breaker Dimensions

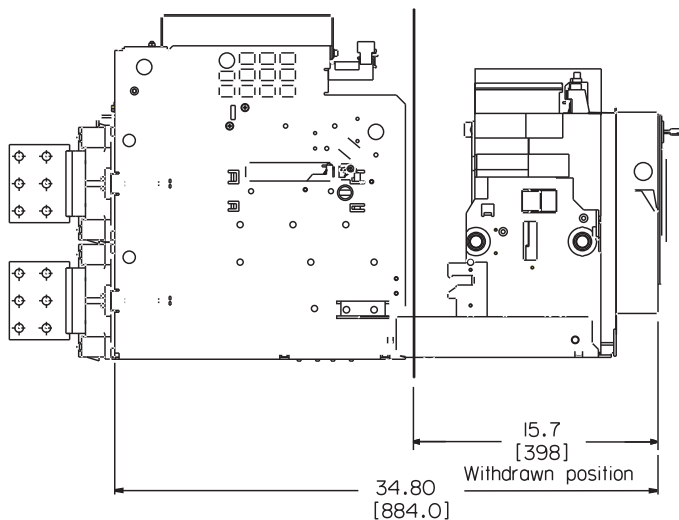
### Frame Size 3 Charging, Racking and Draw-out

Lifting Point  
(Cradle only)  
Do not lift by other points.

Circuit-breaker and guide frame must be lifted separately.  
Do not lift the circuit-breaker when in the cradle



Minimum free space  
for circuit-breaker racking

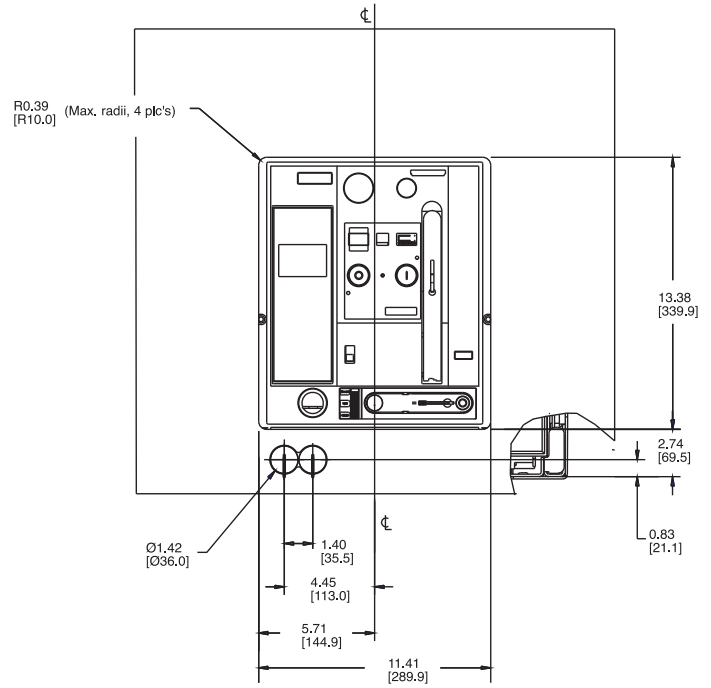
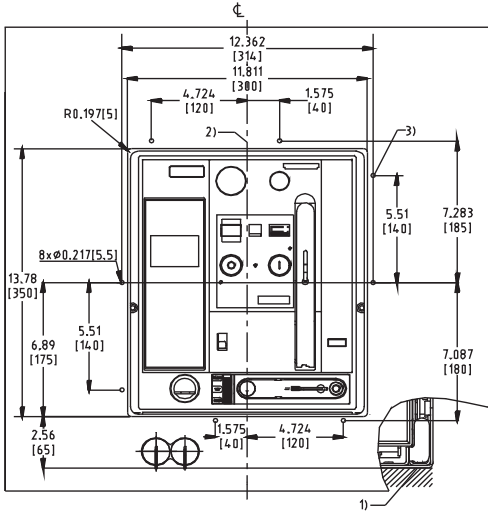


# Low Voltage Circuit Breaker

## UL489 Draw-out Breaker Dimensions

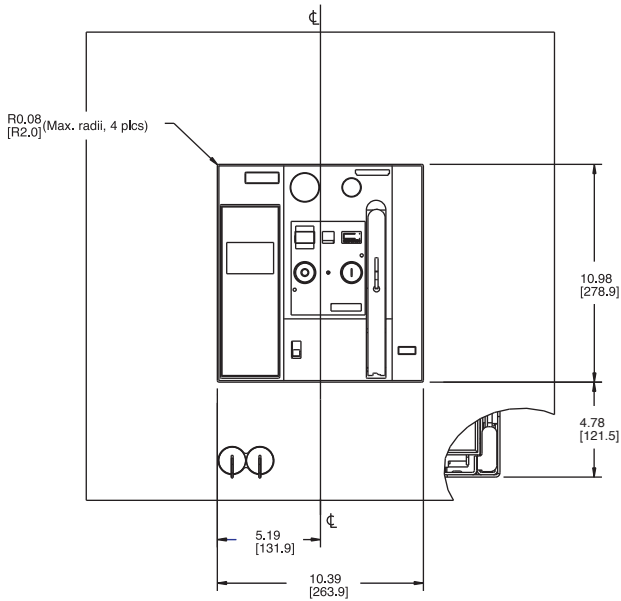
### Frame Size 2 and 3

### Door Cut-outs

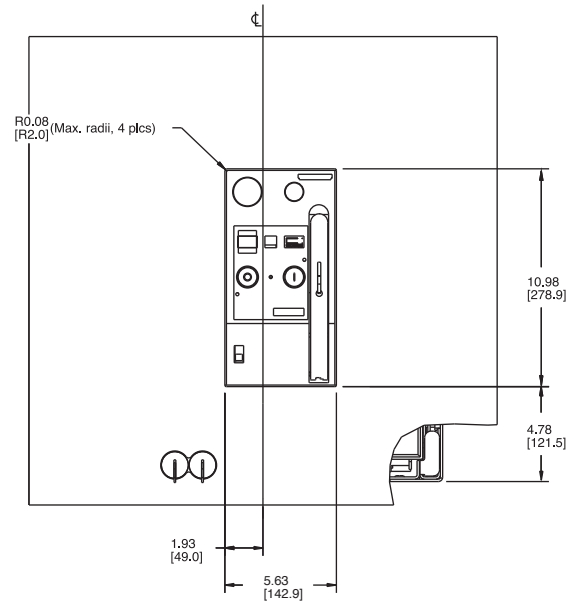


Door cut-out and mounting holes for Door Sealing Frame

Door cut-out (after mounting Door Sealing Frame)



Door cut-out (Middle escutcheon visible)



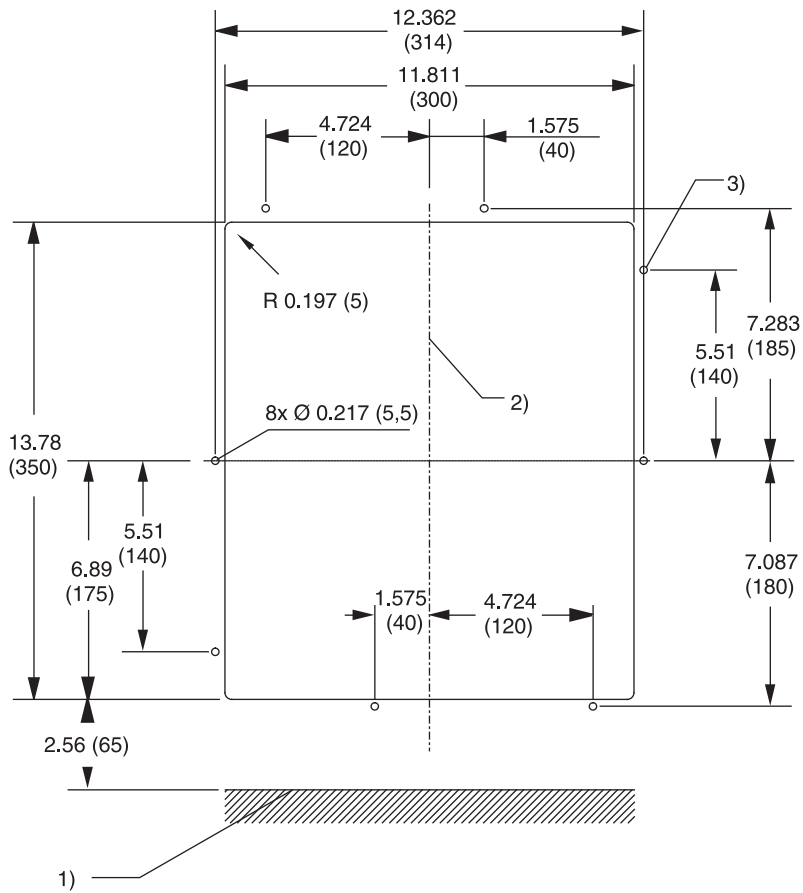
Minimal door cut-out (Only center escutcheon visible)

- 1) Mounting surface of the circuit breaker or cradle.
- 2) Center of breaker front panel.
- 3) Drill eight holes for mounting door sealing frame.

# Low Voltage Circuit Breaker

## UL489 Door Sealing Frame Dimensions

### Frame Size 2 and 3 Door Cut-outs

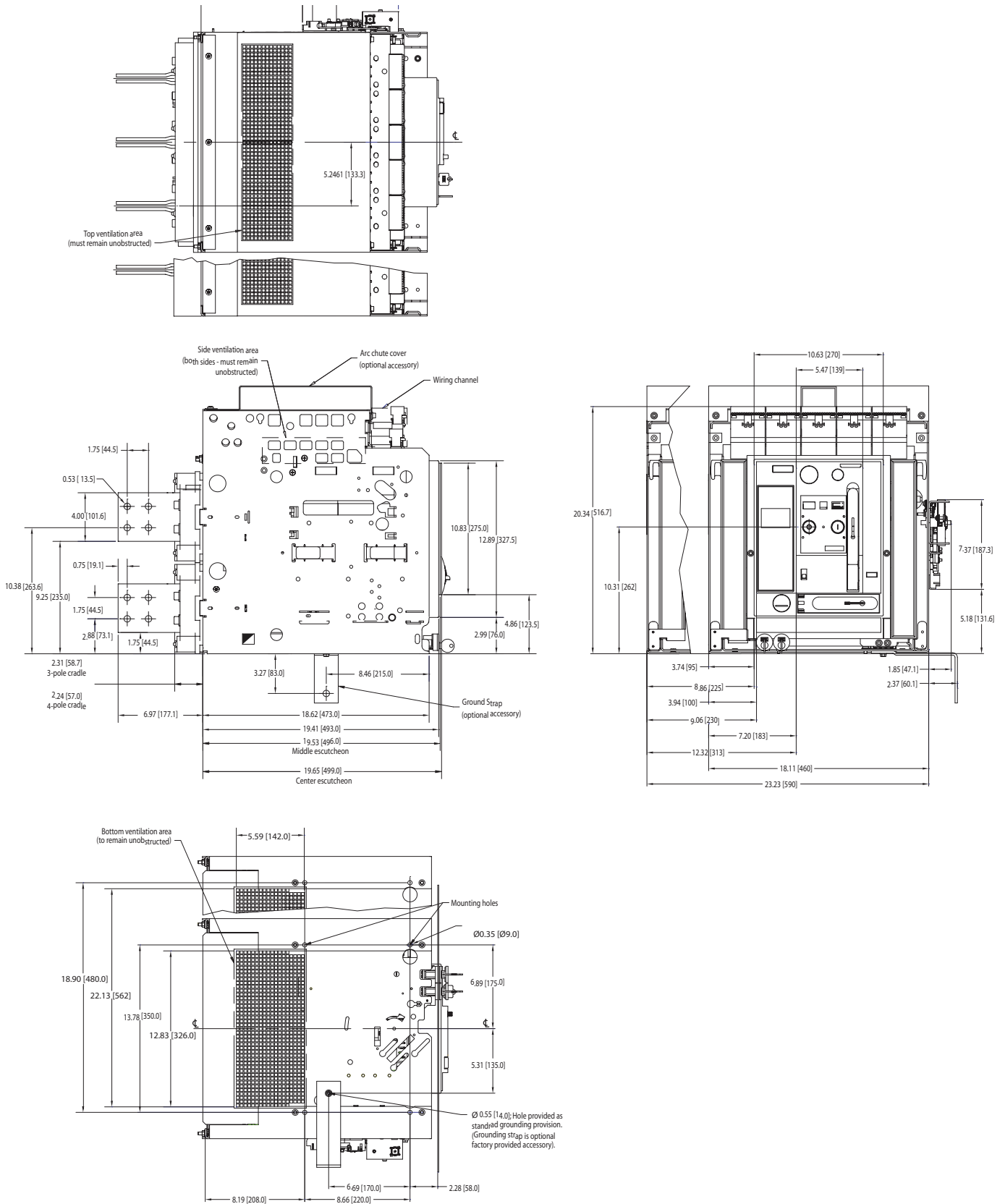


- 1) Mounting surface of the circuit-breaker or cradle.
- 2) Center of breaker front panel.
- 3) Drill eight holes for mounting door sealing frame.

# Low Voltage Circuit Breaker

## UL 1066 Draw-out Non-fused Breaker Dimensions

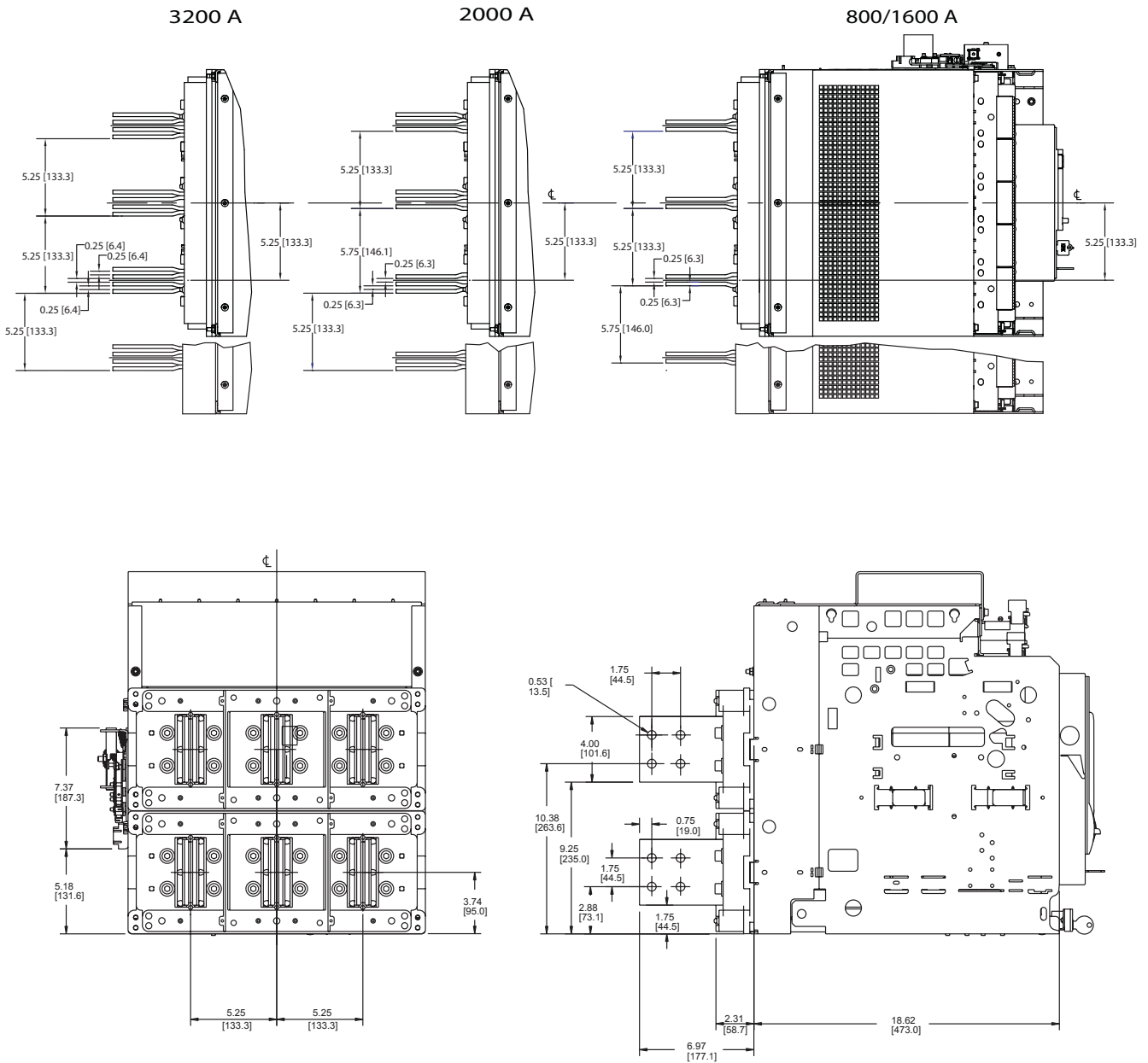
### Frame Size 2, Drawout (3-Pole and 4-Pole)



# Low Voltage Circuit Breaker

## UL 1066 Draw-out Non-fused Breaker Dimensions

### Frame Size 2

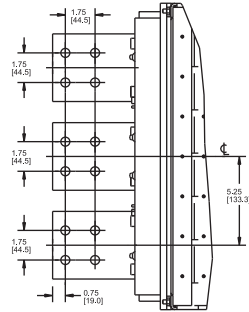


# Low Voltage Circuit Breaker

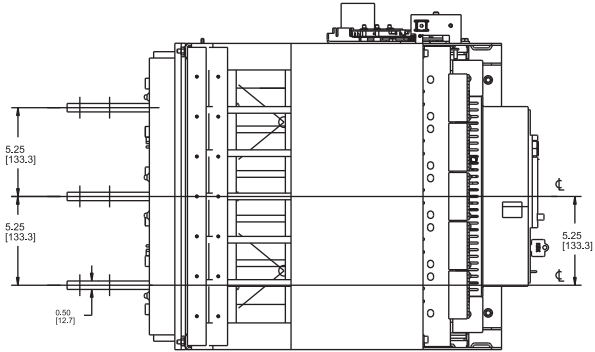
## UL 1066 Draw-out Non-fused Breaker Dimensions

### Frame Size 2

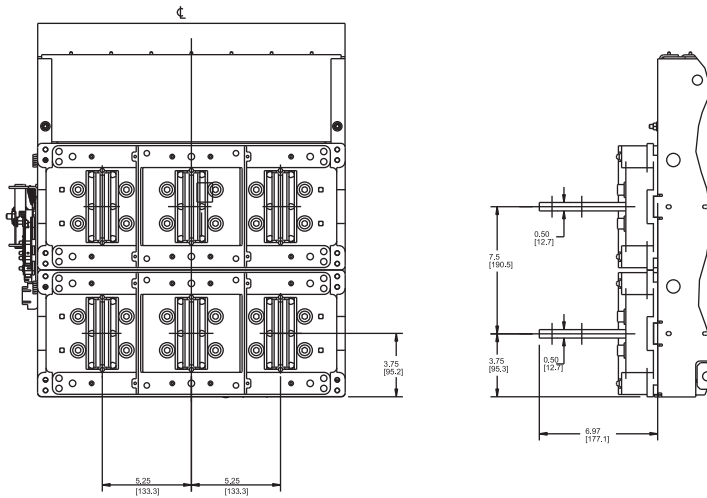
Horizontal Main Bus Connectors



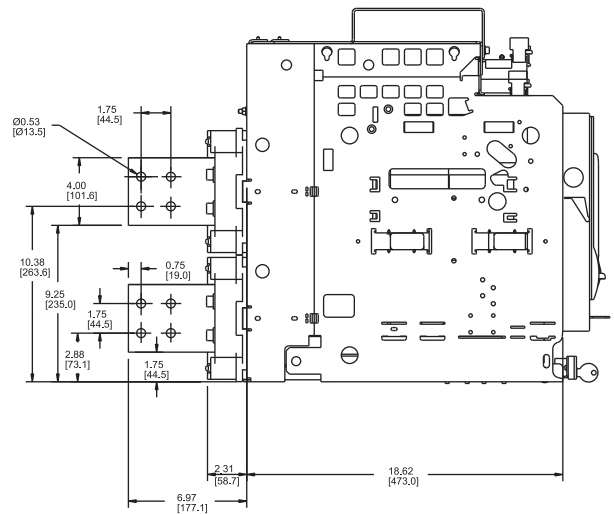
Vertical Main Bus Connectors



Horizontal Main Bus Connectors



Vertical Main Bus Connectors



**Note:**

Rotatable main bus connectors are only available under the following conditions:

- (1) Only acceptable for FS2 800A – 2000A Frame Sizes
- (2) Only acceptable for short circuit ratings of 85kAIC or less

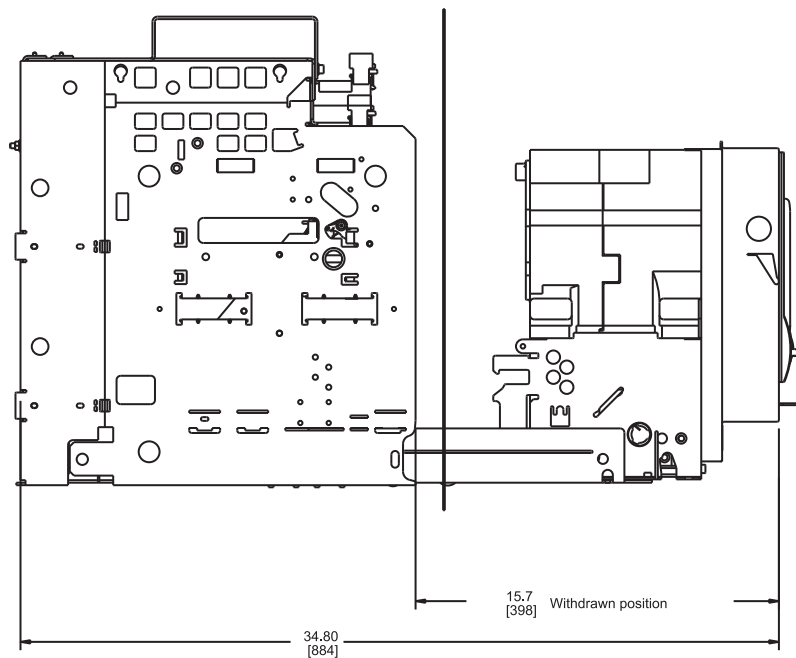
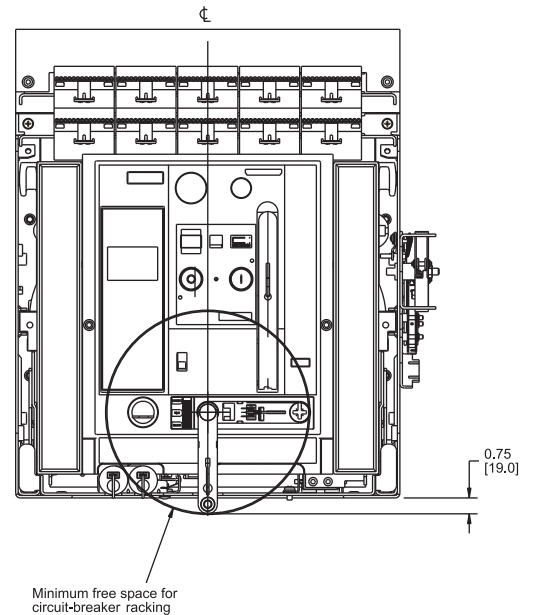
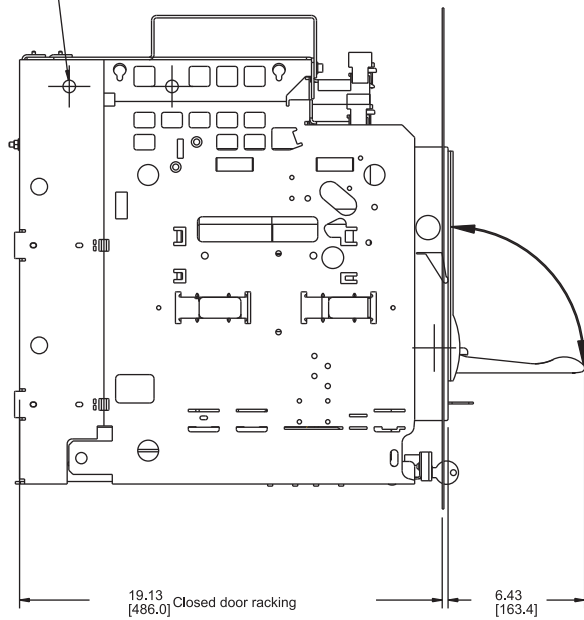


# Low Voltage Circuit Breaker

## UL 1066 Draw-out Non-fused Breaker Dimensions

### Frame Size 2 Charging, Racking and Draw-out

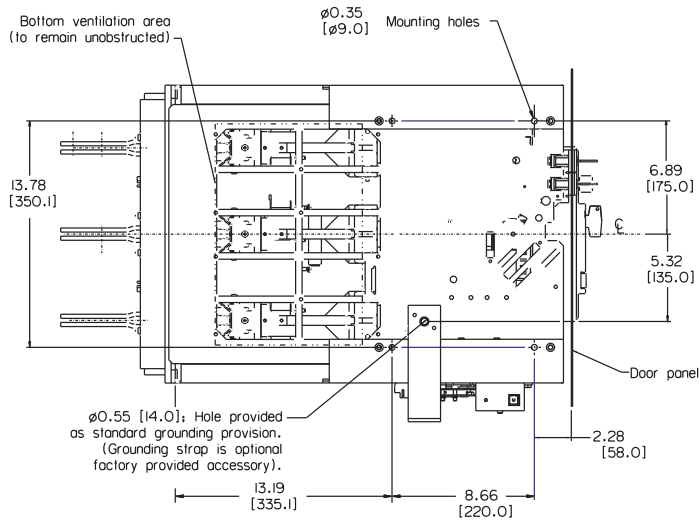
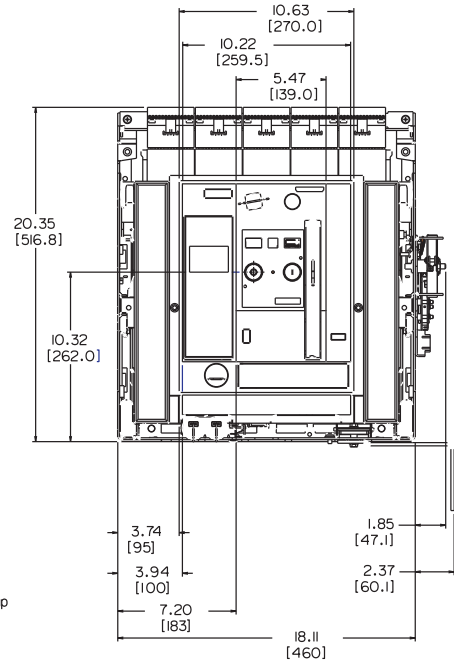
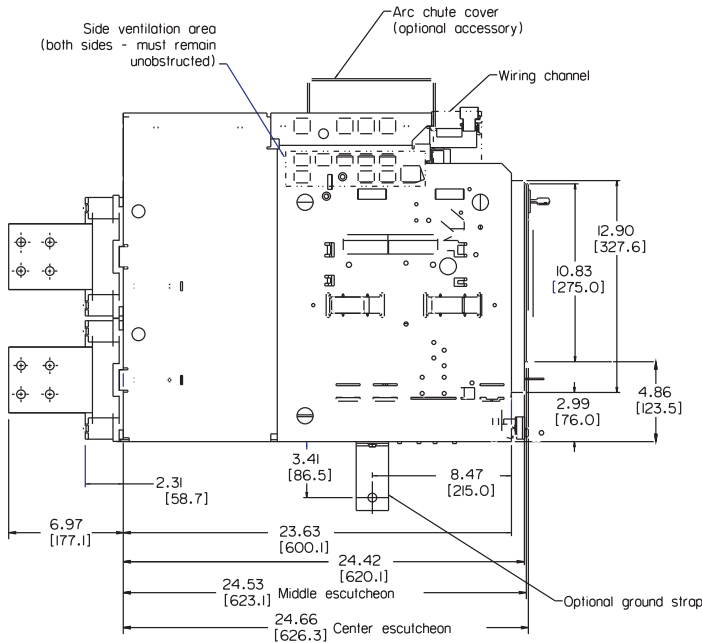
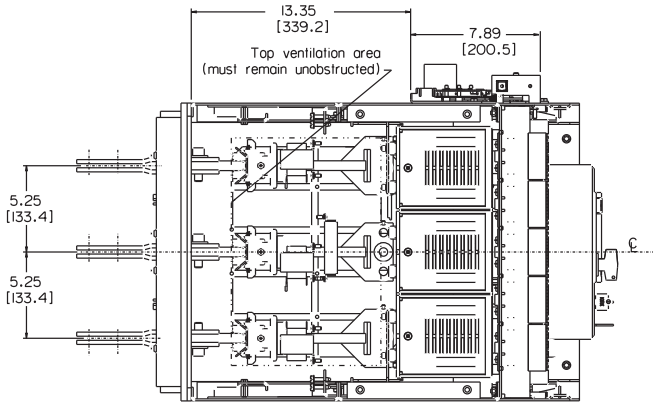
Lifting Point (Cradle only) Do not lift by other points.



# Low Voltage Circuit Breaker

## UL 1066 Draw-out Fused Breaker Dimensions

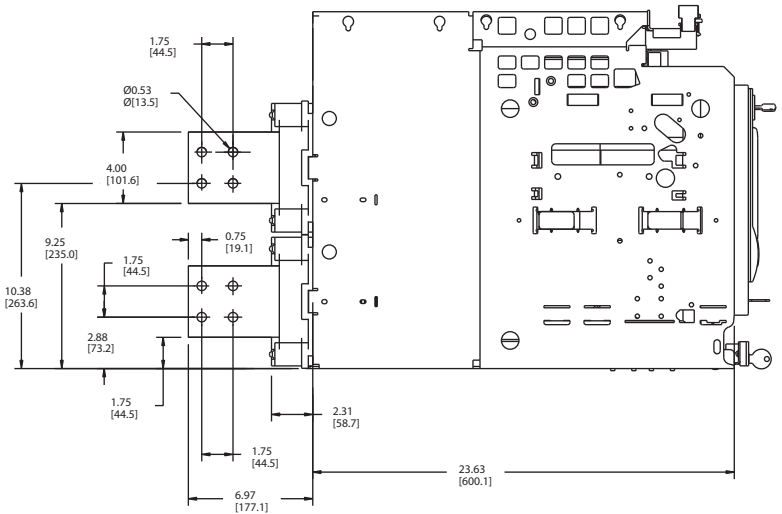
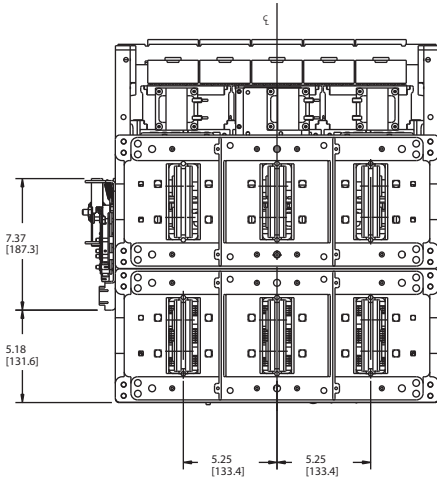
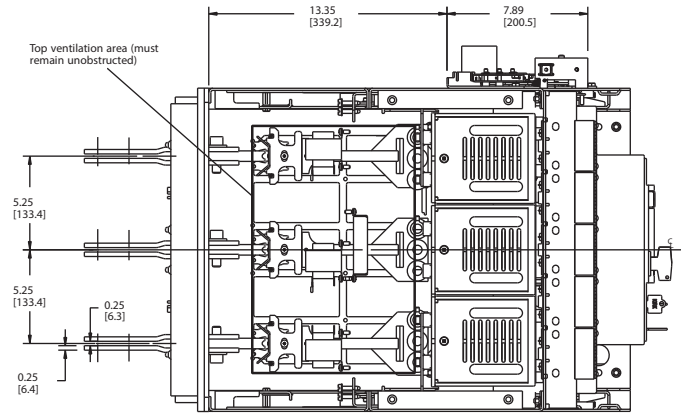
### Frame Size 2



# Low Voltage Circuit Breaker

## UL 1066 Draw-out Fused Breaker Dimensions

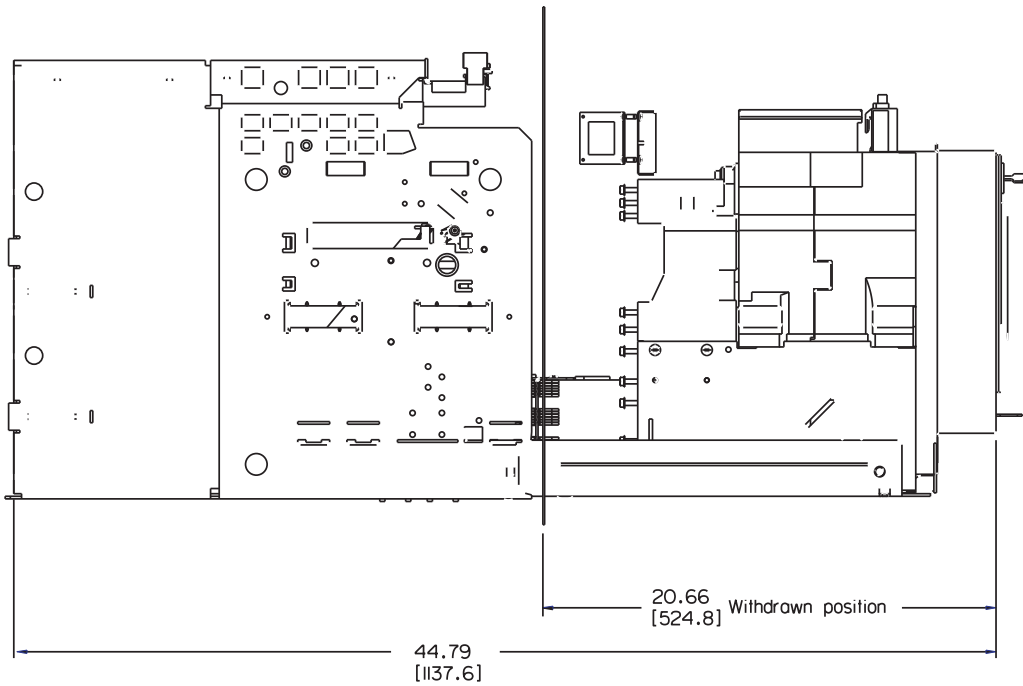
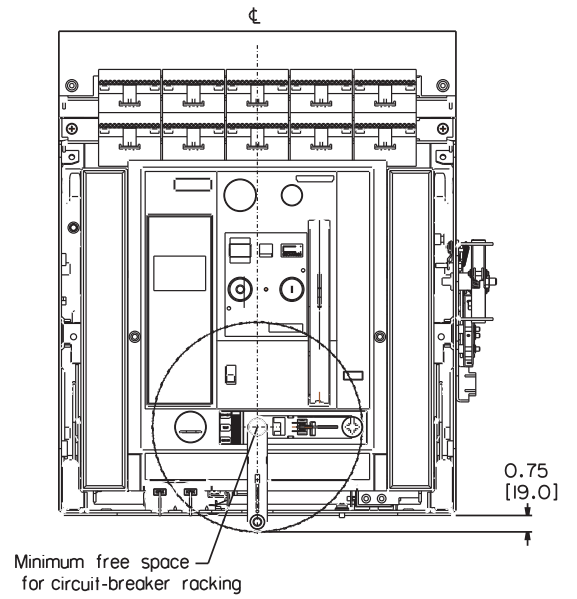
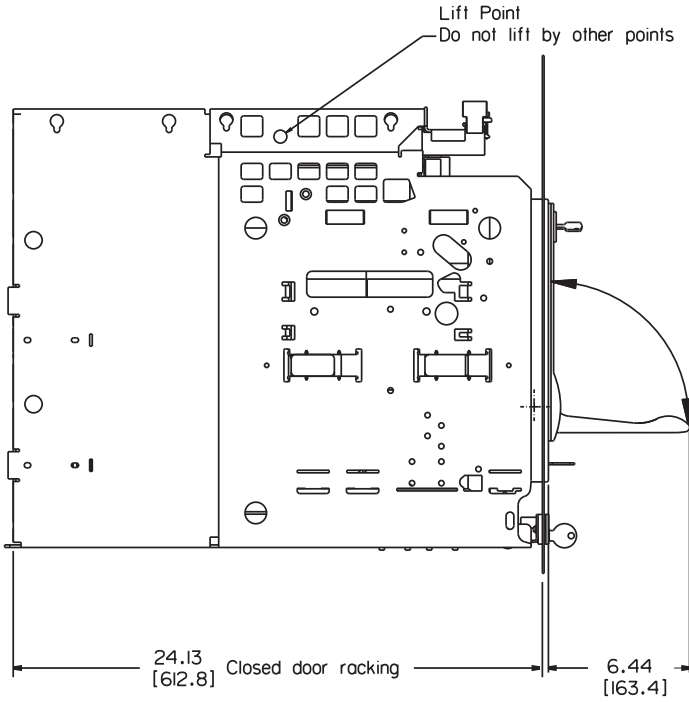
### Frame Size 2



# Low Voltage Circuit Breaker

## UL 1066 Draw-out Fused Breaker Dimensions

### Frame Size 2 Charging, Racking and Draw-out

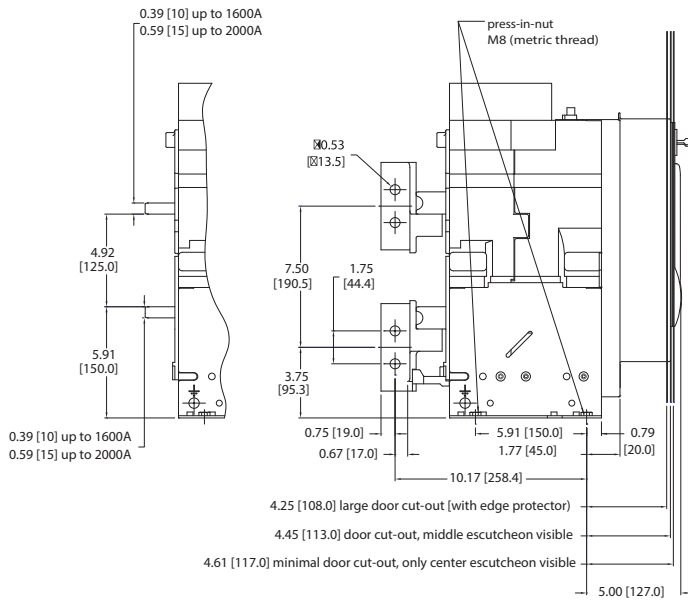
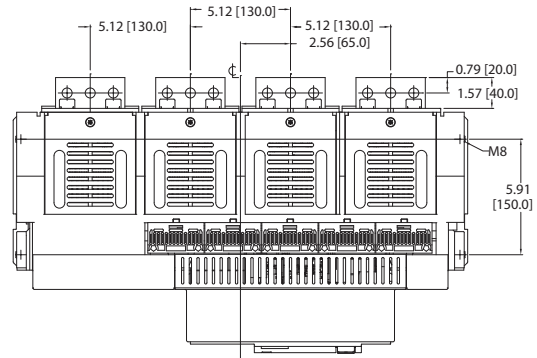


# Low Voltage Circuit Breaker

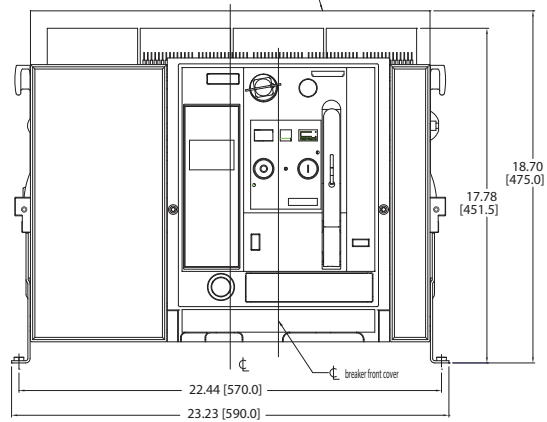
## UL 1066 Draw-out Fused Breaker Dimensions

### Frame Size 2 Fixed Mounted Version

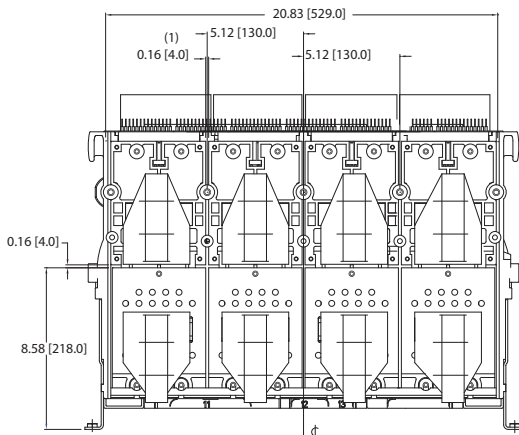
Fixed mount versions are only available with rear vertical connector for FS2 3200A and FS3 4000A/5000A



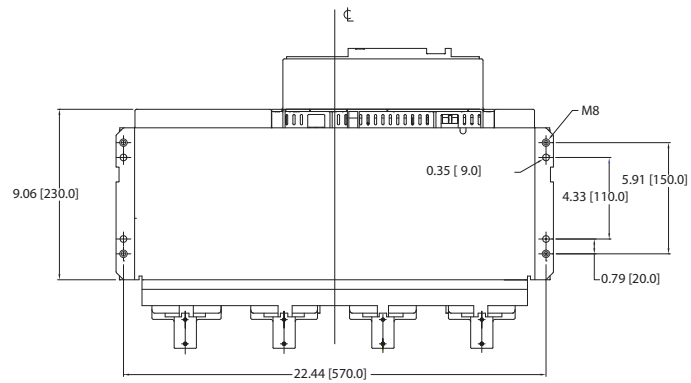
required space for aux. connectors including wire-channel



Rear View



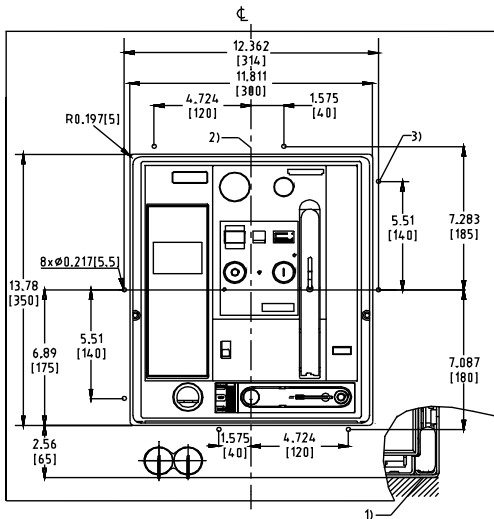
(1) = Slots 0.2 [5] for insulation barriers



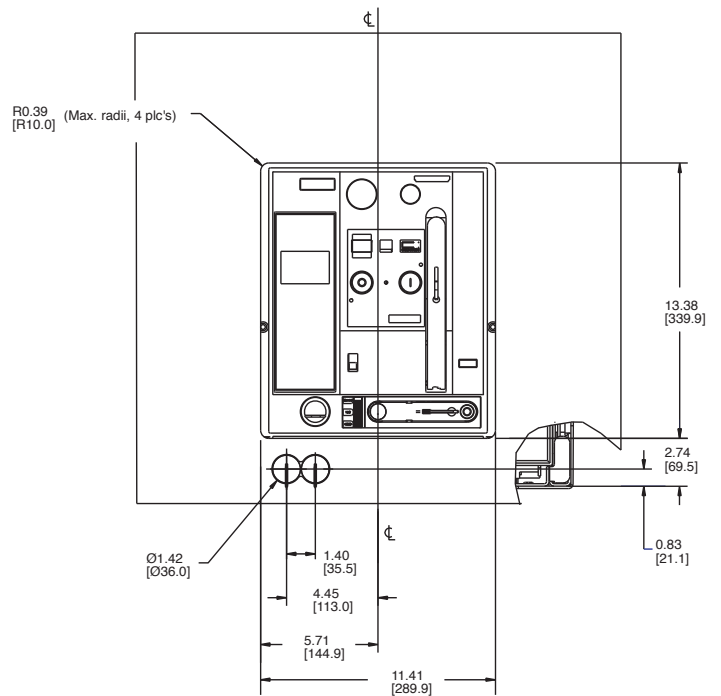
# Low Voltage Circuit Breaker

## UL 1066 Draw-out Breaker Dimensions

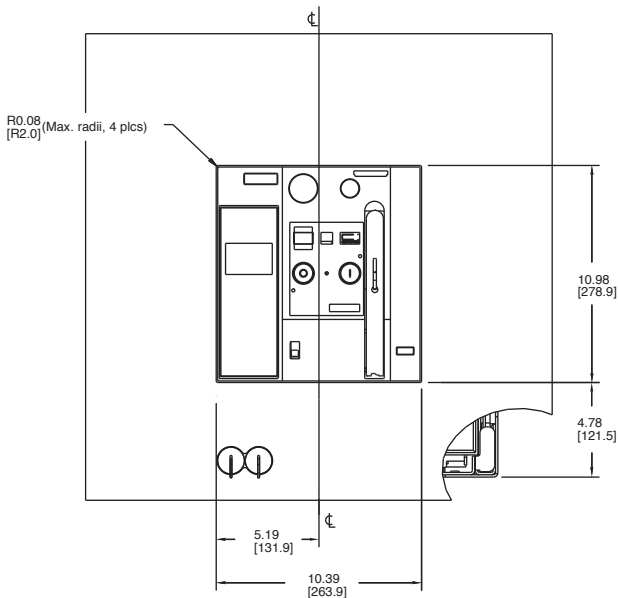
### Frame Size 2 Door Cut-outs



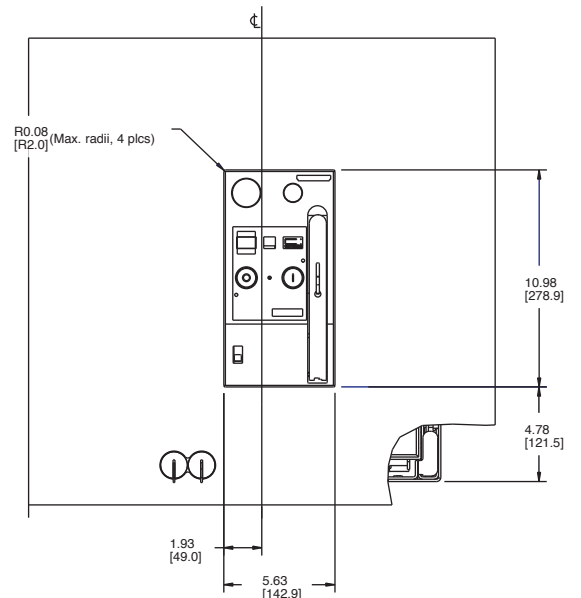
Door cut-out and mounting holes for Door Sealing Frame



Door cut-out (after mounting Door Sealing Frame)



Door cut-out (Middle escutcheon visible)



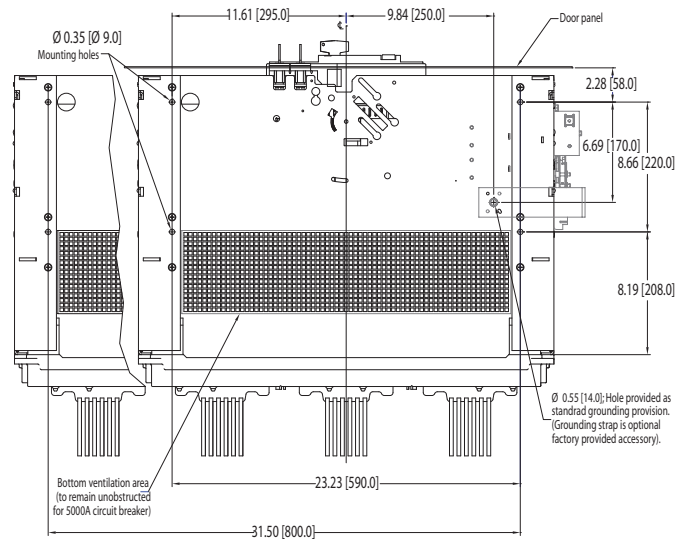
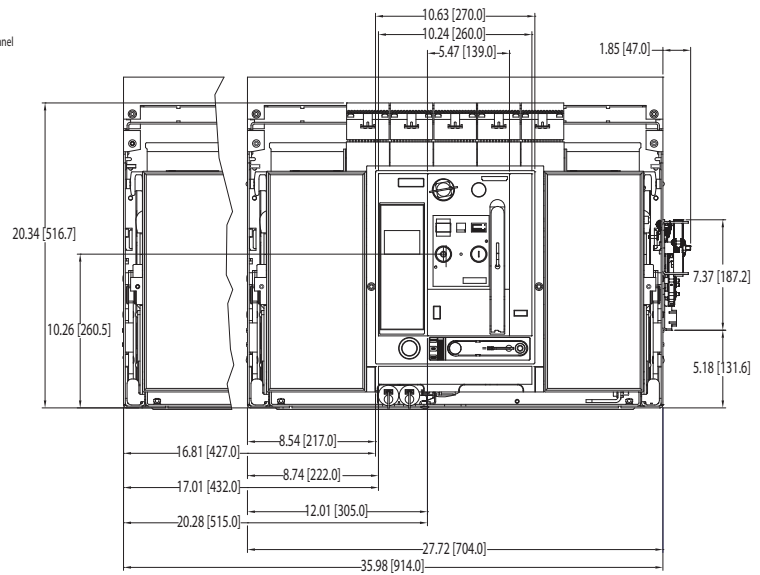
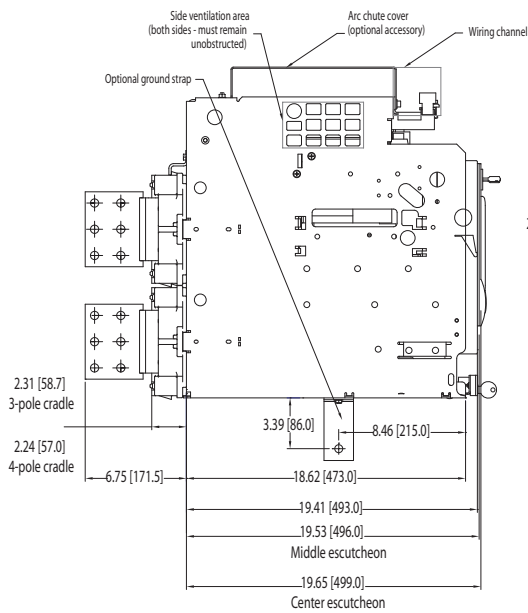
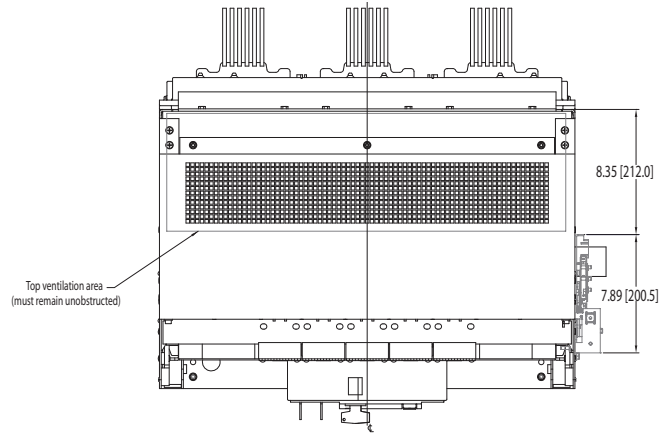
Minimal door cut-out (Only center escutcheon visible)

- 1) Mounting surface of the circuit breaker or cradle.
- 2) Center of breaker front panel.
- 3) Drill eight holes for mounting door sealing frame.

# Low Voltage Circuit Breaker

## UL 1066 Draw-out Non-fused Breaker Dimensions

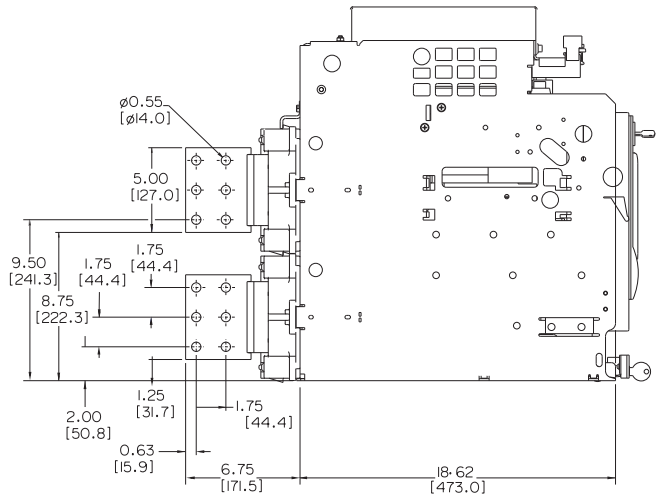
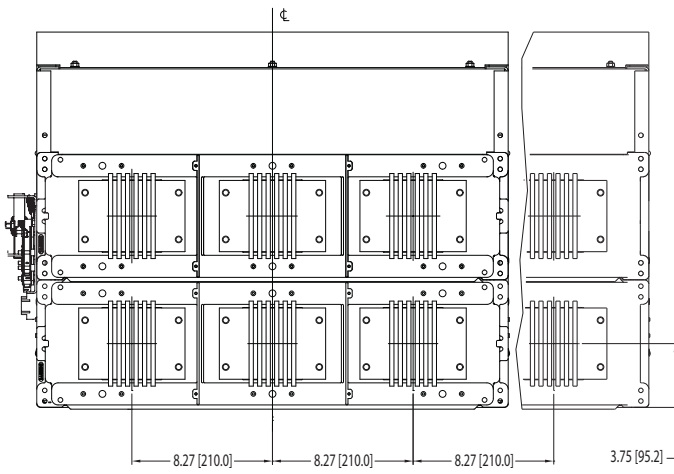
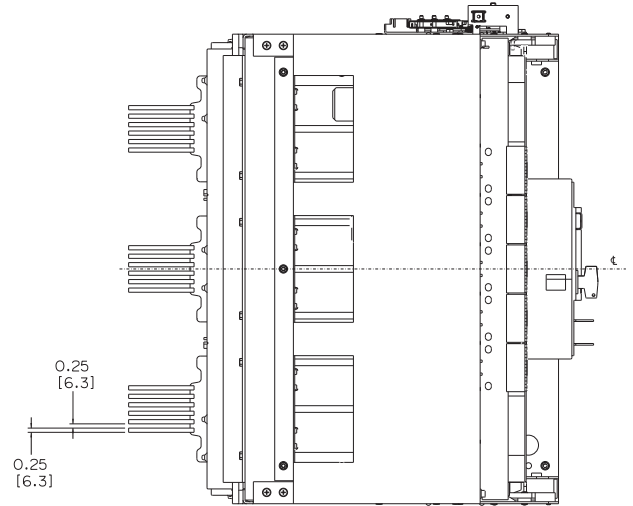
### Frame Size 3 Drawout (3-Pole and 4-Pole)



# Low Voltage Circuit Breaker

## UL 1066 Draw-out Non-fused Breaker Dimensions

### Frame Size 3

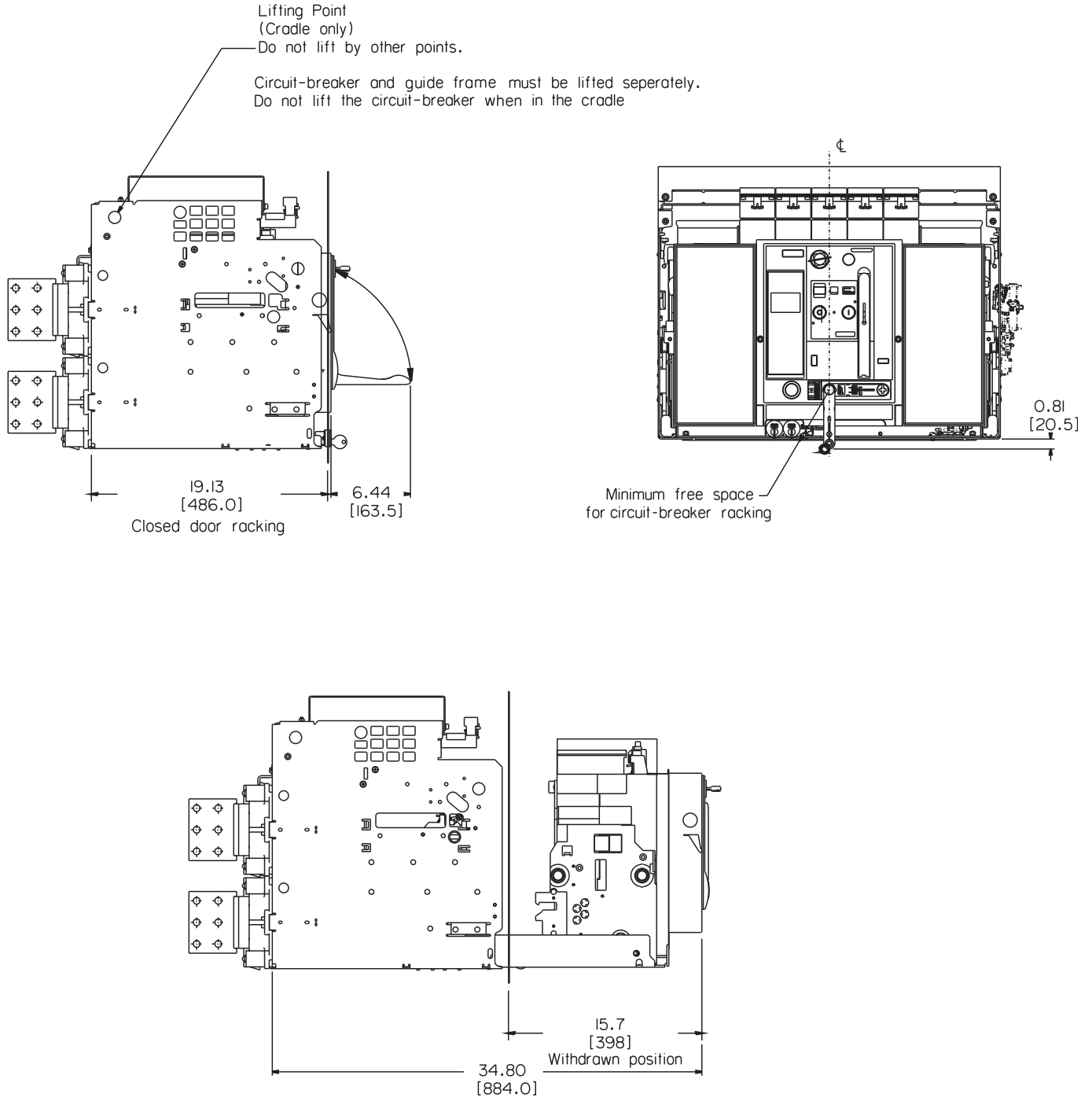




# Low Voltage Circuit Breaker

## UL 1066 Draw-out Non-fused Breaker Dimensions

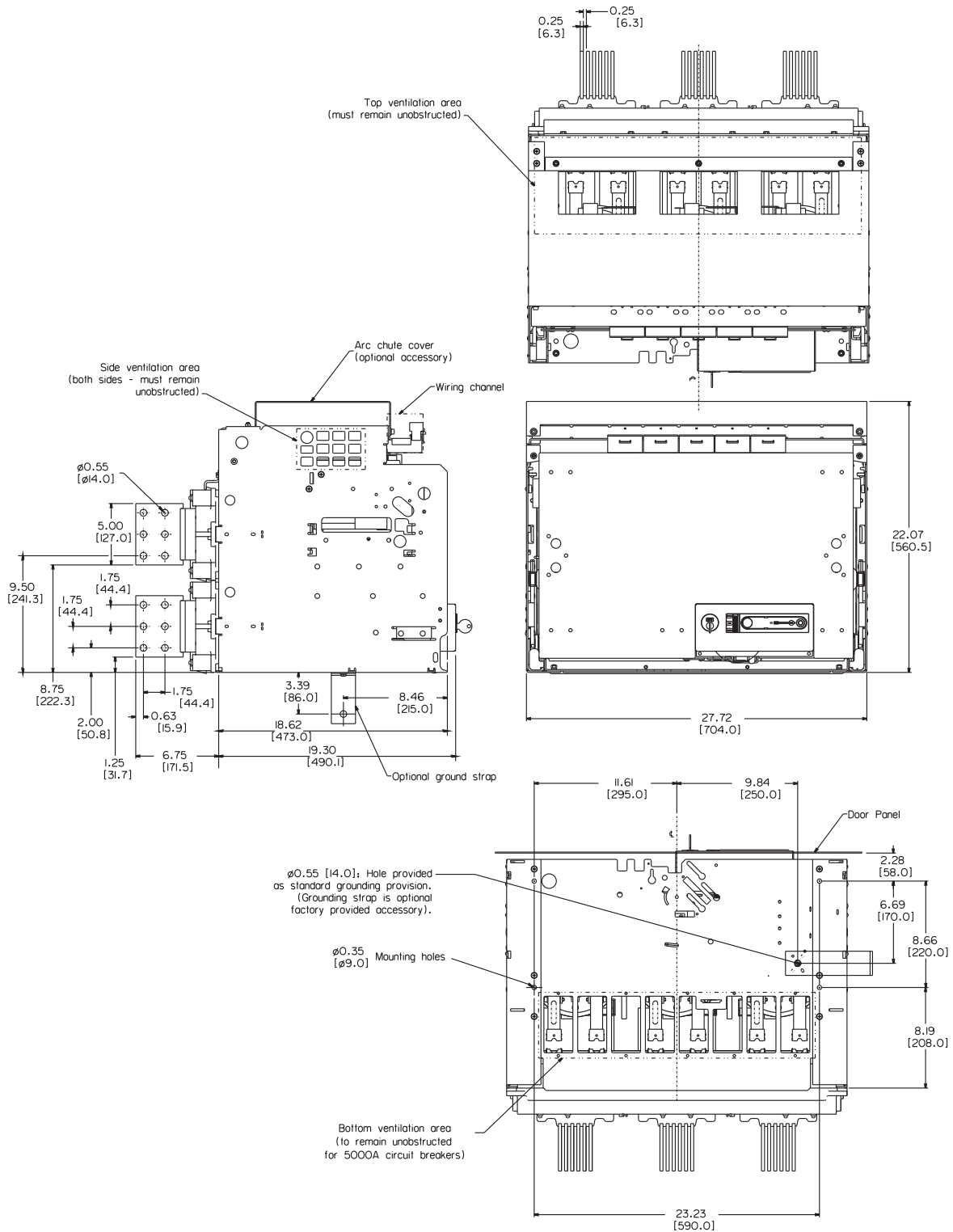
### Frame Size 3



# Low Voltage Circuit Breaker

## UL 1066 Draw-out Fuse Carriage Dimensions

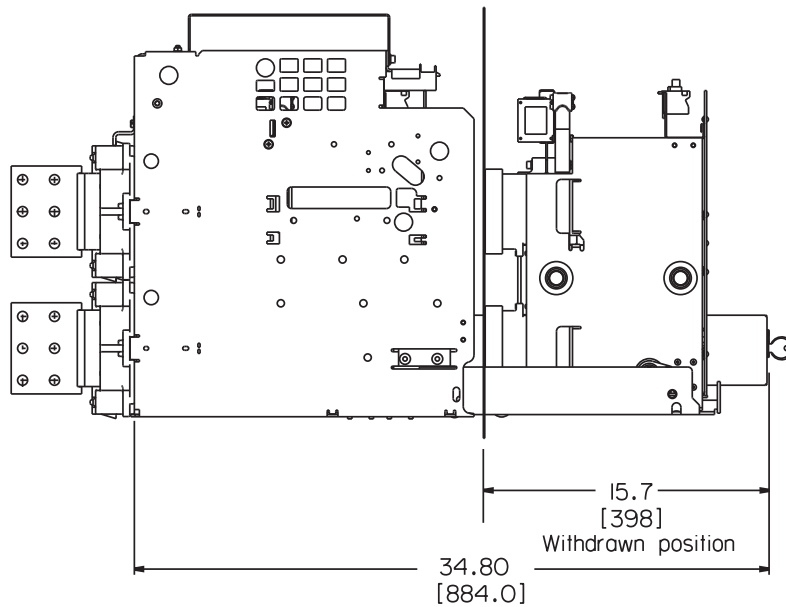
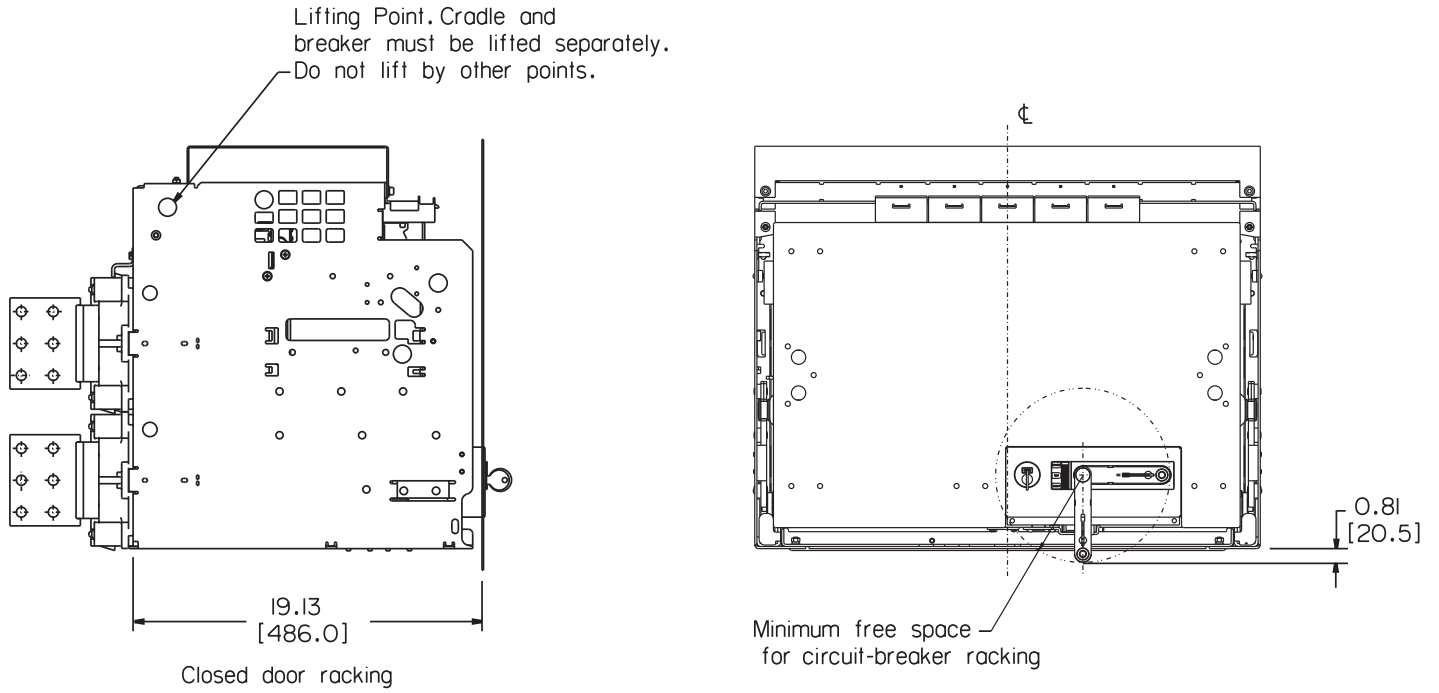
### Frame Size 3 Fuse Carriage



# Low Voltage Circuit Breaker

## UL 1066 Draw-out Fuse Carriage Dimensions

### Frame Size 3 Fuse Carriage Racking

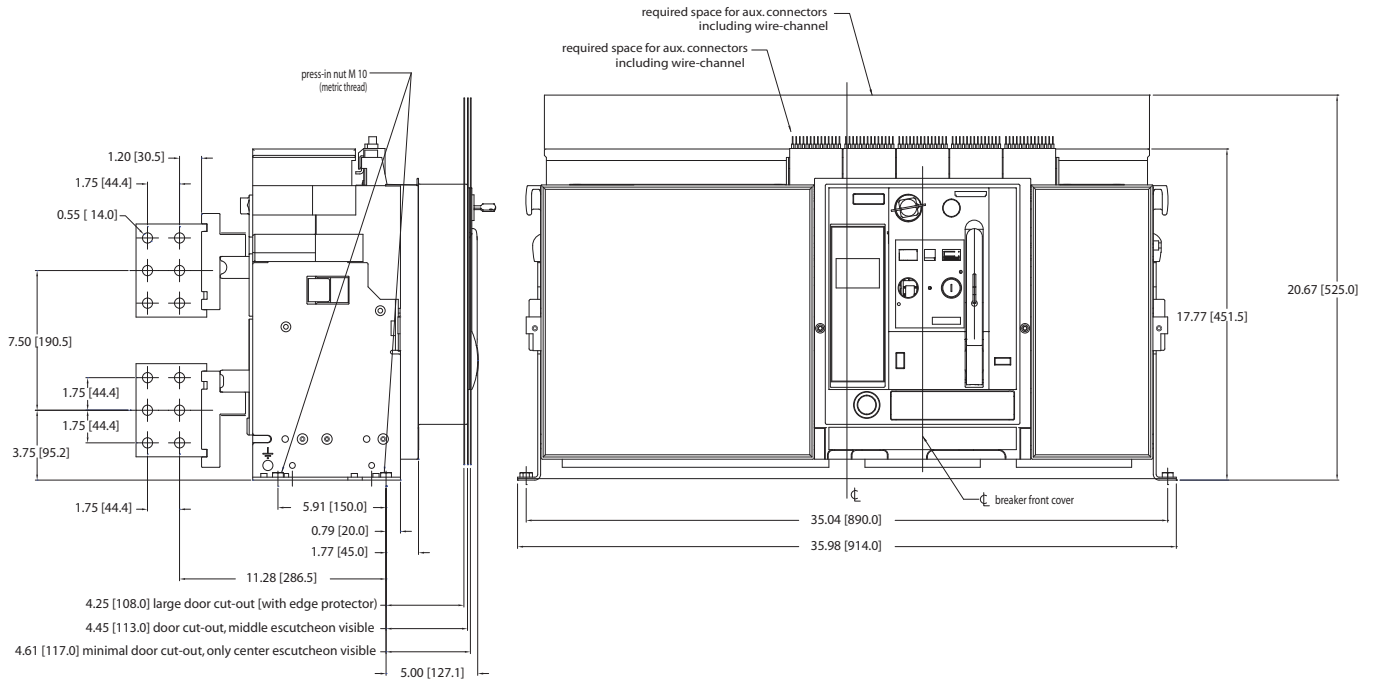


# Low Voltage Circuit Breaker

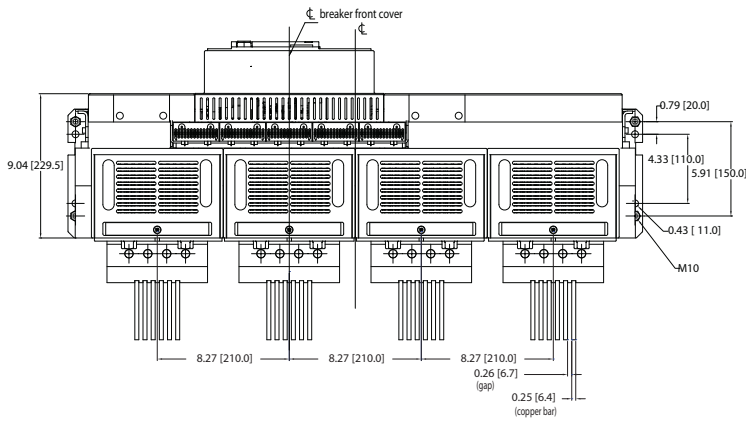
## UL 1066 Door Sealing Frame Dimensions

### Frame Size 3 Fixed Mounted Version

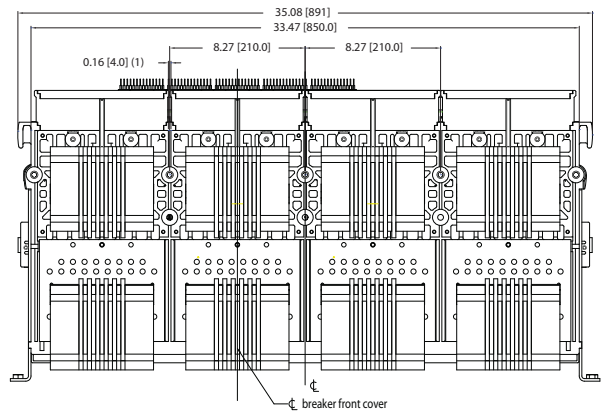
Fixed-mounted versions are only available as 4-pole with vertical connections



Top view vertical connection



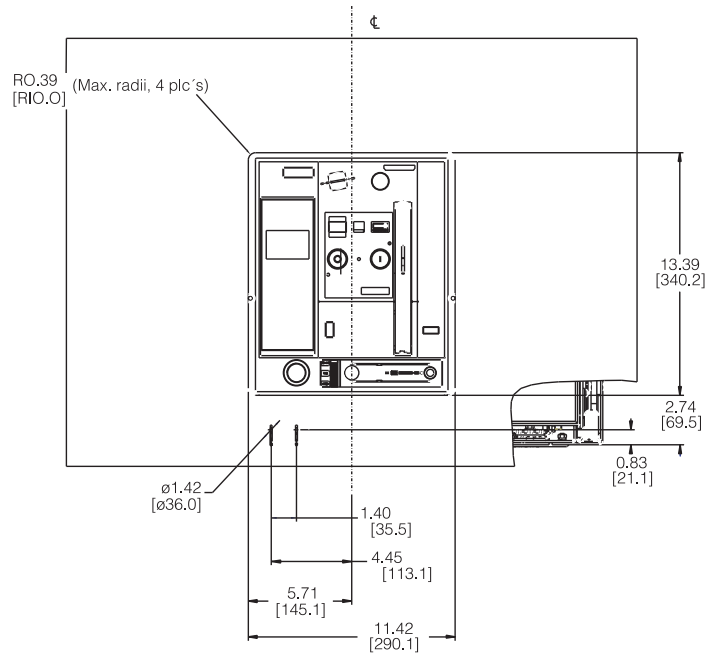
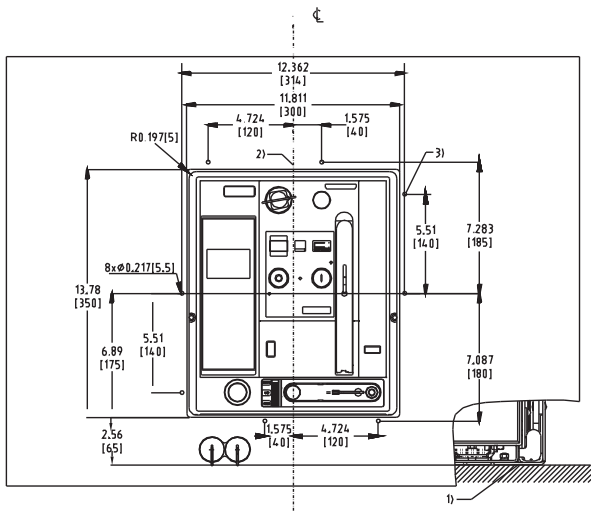
Rear view



# Low Voltage Circuit Breaker

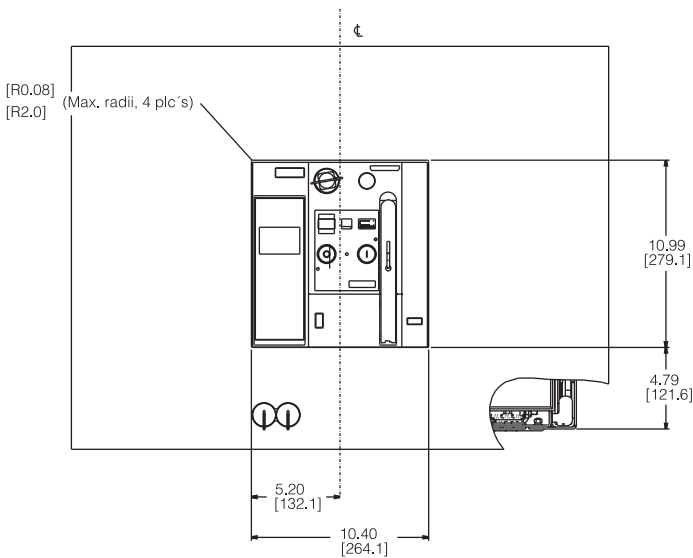
## UL 1066 Door Sealing Frame Dimensions

### Frame Size 3 Door Cut-outs

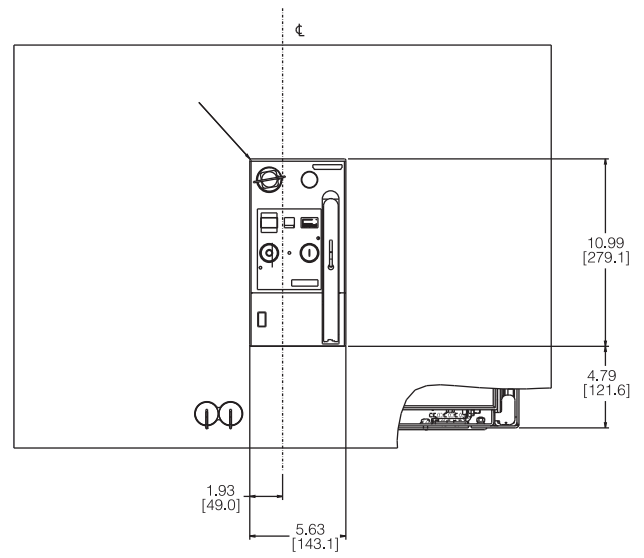


Door cut-out and mounting holes for Door Sealing Frame

Door cut-out (after mounting Door Sealing Frame)



Door cut-out (Middle escutcheon visible)



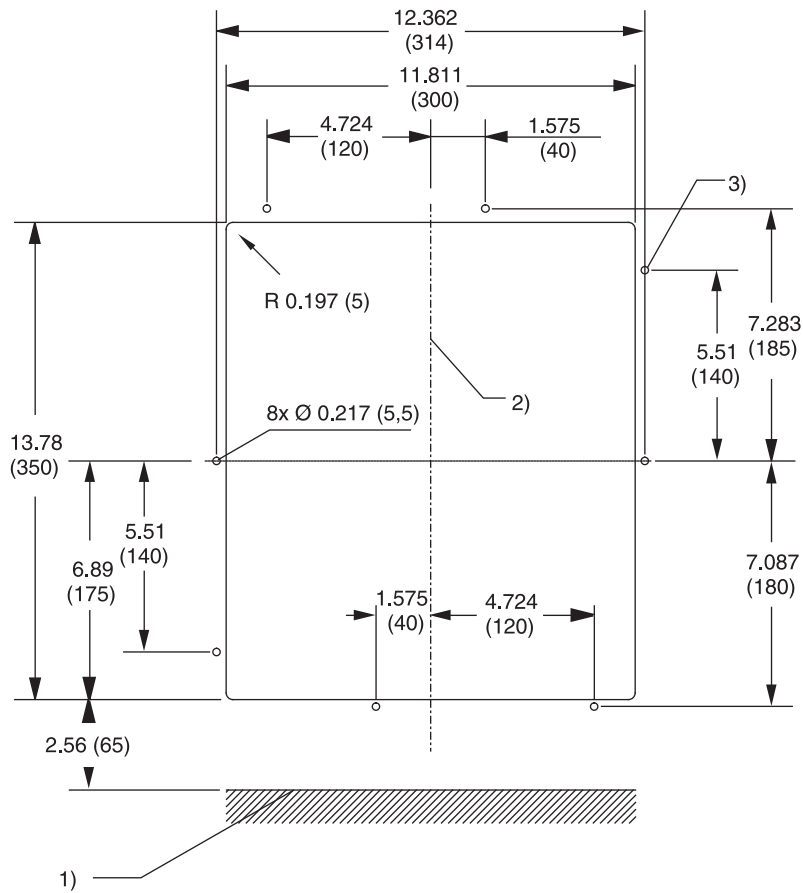
Minimal door cut-out (Only center escutcheon visible)

- 1) Mounting surface of the circuit breaker or cradle.
- 2) Center of breaker front panel.
- 3) Drill eight holes for mounting door sealing frame.

# Low Voltage Circuit Breaker

## UL 1066 Draw-out Dimensions

### Frame Size 2 and 3 Door Cut-outs



- 1) Mounting surface of the circuit-breaker or cradle.
- 2) Center of breaker front panel.
- 3) Drill eight holes for mounting door sealing frame.

# WL Spare/Replacement Parts

## Trip Units and Rating Plugs

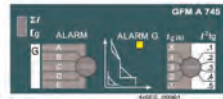
ETU 745



ETU 776



GFM A 745



GFM AT 745



GFM A 776



GFM AT 776



ETU catalog number	Trip unit functions	Protective covers	Replacement LCD displays	Ground fault alarm	Ground fault alarm and trip
WLETU745	LSI <sup>1</sup>	WLTUSC55	WLLCD48	WLGFA48	WLGFM48
WLETU776 <sup>2</sup>	LSI <sup>1</sup>	WLTUSC76	Not replaceable	WLGFA76	WLGFM76
WLETU776G <sup>2</sup>	LSIG	WLTUSC76	Not replaceable	Not available	Included
Trip unit with metering function					
WLETU745MP	LSI <sup>1</sup>	WLTUSC76	WLLCD48	WLGFA48	WLGFM48
WLETU776MP <sup>2</sup>	LSI <sup>2</sup>	WLTUSC76	Not replaceable	WLGFA76	WLGFM76
WLETU776GMP	LSIG	WLTUSC76	Not replaceable	Not available	WLGFM76

### Overload Protection

L – Long Time Pick-up and Delay

S – Short Time Pick-up and Delay

I – Instantaneous Trip

G – Ground Fault Pick-up and Delay (Accessory sold separately)

### EMC filter

Catalog number	
WLEMCFILTER	Compatible with all WL ETU versions



Rating plug

### Rating plug

Catalog number	Ampere rating	Catalog number	Ampere rating	Catalog number	Ampere rating	Catalog number	Ampere rating
WLRP200	200A	WLRP400	400A	WLRP800	800A	WLRP2500	2500A
WLRP225	225A	WLRP450	450A	WLRP1000	1000A	WLRP3000	3000A
WLRP250	250A	WLRP500	500A	WLRP1200	1200A	WLRP3200	3200A
WLRP300	300A	WLRP600	600A	WLRP1250	1250A	WLRP4000	4000A
WLRP315	315A	WLRP630	630A	WLRP1600	1600A	WLRP5000	5000A
WLRP350	350A	WLRP700	700A	WLRP2000	2000A	WLRP6000	6000A

<sup>1</sup> Optional GF module sold separately.

<sup>2</sup> Metering function and ETU776 requires 24VDC supply.

## WL Spare/Replacement Parts

### Communication Components



COM Device



BSS



CubicleBus Devices



WLCOMBOARD

#### Catalog number

#### Breaker communication module

WLUSB485	COM16 Modbus RS485 to USB adapter cable
WLCM15M	PROFIBUS module COM15
WLCM15RET	PROFIBUS module COM15 w/ BSS
WLCM16MD	Modbus module COM16
WLCM16RET	Modbus module COM16 w/ BSS
WLCOMBOARD	COM16 RS485 adapter board (Modbus only)
WLCOM35	Modbus TCP / PROFINET module COM35
WLCOM35KIT	Modbus TCP / PROFINET module with mounting hardware
WLCOM35RET	Modbus TCP / PROFINET module with mounting hardware and BSS

#### Breaker status sensor

WLBSS	Breaker status sensor for Profibus/Modbus
-------	---

#### External I/O CubicleBus modules

WLZSIMD	CubicleBUS Zone Selective Interlocking (ZSI) module
WLANLGCUB	CubicleBUS analog output module
WLRLYCUB	CubicleBUS digital output relay module w/ rotary switch
WLRLYCCUB	CubicleBUS digital output relay module (Configurable)
WLDGNCUB	CubicleBUS digital input module

#### Cables for CubicleBus modules

WLCBUSCABLE02	CubicleBUS RJ45-M communication cable - 0.2 meters
WLCBUSCABLE1	CubicleBUS RJ45-M communication cable - 1 meter
WLCBUSCABLE2	CubicleBUS RJ45-M communication cable - 2 meters
WLCBUSCABLE4	CubicleBUS RJ45-M communication cable - 4 meters
WLCBUSCABLE9	CubicleBUS RJ45-M communication cable - 9 meters



# WL Spare/Replacement Parts

## Trip Unit Options



Handheld tester



24VDC power supply

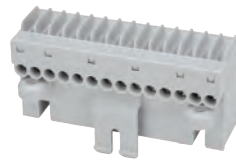


TD400

Catalog number	
<b>Trip unit test equipment</b>	
<b>WLTS</b>	Hand held tester for Electronic Trip Unit, Fixed LSIG pick-up
<b>WLTS</b>	Replacement cable for WLTS Test Unit
<b>24Vdc power supply</b>	
<b>WLSITOP25</b>	24Vdc ETU and COMM power supply, 2.5A SITOP Power, Class 2
<b>WLSITOP1</b>	24Vdc ETU and COMM power supply, 3.8A SITOP Power, Class 2
<b>Trip unit test equipment</b>	
<b>3WL9111-0AT44-0AA0</b>	Function test device for testing the tripping characteristics for overcurrent release ETU15B to ETU76B (IEC circuit breakers)
<b>3VW9011-0AT40</b>	TD400 Kit (IEC and UL) Commissioning and service tool for WL, 3WL1/5, and 3VA Circuit Breaker Comes with adapter, cable, and case
<b>3VW9011-0AT43</b>	TD400 Adapter (spare part) for 3VA
<b>3VW9011-0AT44</b>	TD400 Adapter (spare part) for 3WL ETU (UL)
<b>3VW9011-0AT45</b>	TD400 Adapter (spare part) for 3WL ETU (IEC)

# WL Spare/Replacement Parts

## Secondary Disconnects



Compression screw connector  
**WLGAXPLUGP**



Spring load connector  
**WLGAXPLUGT**



Ring lug connector  
**WLGAXPLUGR**

Catalog number	
<b>WLGAXPLUGP</b>	Secondary Disconnect - Compression Screw
<b>WLGAXPLUGL</b>	Secondary Disconnect - Low-Profile Compression Screw
<b>WLGAXPLUGT</b>	Secondary Disconnect - Tension Terminal
<b>WLGAXPLUGR</b>	Secondary Disconnect - Ring Terminal
Secondary disconnect breaker frame mount	
<b>WLCNMD</b>	Auxiliary Contact on Drawout Breaker (Knife Block)
<b>WLTERMBLKUL</b>	Pull Apart Terminal Block w/ 1M leads for UL489 Fixed Mount Breaker
<b>WLCNMDA</b>	Block for Extending Height of Secondary Disconnect/WLCNMD
Secondary disconnect coding kit (UL489 only)	
<b>WLCODEKITUL</b>	Secondary disconnect coding kit for fixed mounted breaker
WL crimp lugs	
<b>WL10RL</b>	Crimp Lugs (70) for WLGAXPLUGR - #10 AWG



Low-profile screw connector  
**WLGAXPLUGL**



Knife Blade Contact Block  
**WLCNMD**



**WLTERMBLKUL**



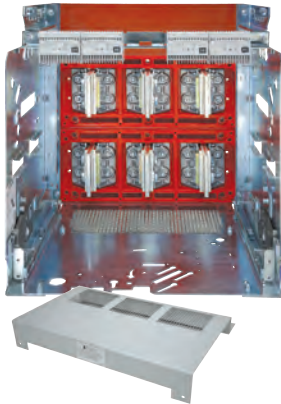
Extends Height of WLCNMD  
**WLCNMDA**



Coding Kit  
**WLCODEKITUL**

## WL Spare/Replacement Parts

### Cradle Frame Accessories



Arc Chute Cover



Catalog number	
<b>Stationary primary bus-bar disconnect terminals</b> consists of 1 bus-bar pole only)	
WLGST15123LI	Stab tip replacement kit - 800A/1200A, FS1, Line Side
WLGST10163LD	Stab tip replacement kit - 800A/1200A/1600A, FS2, Load Side
WLGST10163LL	Stab tip replacement kit - 800A/1200A/1600A, FS2, Line and Load Side
WLGST15203LL	FS2 2000A and FS1 800/1200/1600/2000 lower Stab Tip
WLGST15203LD	Stab tip replacement kit - 2000A - 800A/1200A, FS2, Load Side
WLGST30323LL	Stab tip replacement kit - 2500A/3000A, FS2, Line and Load Side
WLGST30503LL	Stab tip replacement kit - 4000A/5000A, FS3, Line and Load Side
Cradle arc chute cover	
WLGARC1UL	3P Arc chute cover, UL489 FS1, Class S/H/L
WLGARC2	3P Arc chute cover ANSI FS2, Class N/S/H/L
WLGARC2UL	3P Arc chute cover, UL489 FS2, Class S/L
WLGARCF2	3P Arc chute cover, ANSI FS2, Class F Fused
WLGARC3	3P Arc chute cover, ANSI/UL489 FS3, Class H/L/F
WL4GARC2	4P Arc chute Cover, ANSI FS2
WL4GARC3	4P Arc chute Cover, ANSI FS3
MOC – Mechanism operated contacts (for draw-out breaker)	
WLMOC	MOC with 4NO + 4NC, Test and Connect Position, FS1/FS2
WLMOCC	MOC with 4NO + 4NC, Connect Position, FS1/FS2
WLMOC3	MOC with 4NO + 4NC, Test and Connect Position, FS3
WLMOCC3	MOC with 4NO + 4NC, Connect Position, FS3
(for fixed mounted circuit breakers)	
WLMOCUL1	MOC with 4NO + 4NC, FS1 Fixed
WLMOCUL	MOC with 4NO + 4NC, FS2/FS3 Fixed
TOC – Truck operated contacts	
WLGSGSW111	Truck Operated Contact (1Conn-1Test-1Disconn)
WLGSGSW321	Truck Operated Contact (3Conn-2Test-1Disconn)
WLGSGSW6	Truck Operated Contact (6Conn)
Isolation shutters	
WLG3SHUT1L	FS1 3-Pole Shutter for Class S,H,L
WLG3SHUT2L	FS2 3-Pole Shutter for Class N,S,H,L
WLG3SHUT2F	FS2 3-Pole Shutter for Class F
WLG3SHUT2M	FS2 3-Pole Shutter for Class C
WLG3SHUT3L	FS3 3-Pole Shutter for Class L,F,H
WLG3SHUT3M	FS3 3-Pole Shutter for Class C,M
WLG3SHUT3FC	FS3 3-Pole Shutter for Fuse Carriage
WLG4SHUT2L	FS2 4-Pole Shutter for Class S,H,L
WLG4SHUT3L	FS3 4-Pole Shutter for Class H,L

# WL Spare/Replacement Parts

## Cradle Frame



Cradle Frame Heater  
**WLGHEAT**



Key Interlocking  
(Drawout)



Mechanical Interlock

Catalog number	
<b>WLGHEAT</b>	Cradle frame heater

Locking devices mounted on the cradle frame	
<b>WLDLKRK</b>	Kirk Key – Lock breaker in OPEN position (FS2, FS3 only)
<b>WLDLKRK</b>	Double-Kirk Key – Lock breaker in OPEN position (FS2, FS3 only)
<b>WLDLSUP</b>	Superior – Lock breaker in OPEN position (FS2, FS3 only)
<b>WLDLDSUP</b>	Double Superior – Lock breaker in OPEN position (FS2, FS3 only)
<b>WLDLDRP</b>	Provision Only – Double lock breaker in the OPEN position (FS2, FS3 only)
<b>WDLRLC</b>	Locking device against opening the cubicle door when breaker is in connect position, FS1 Only
<b>WDLRLC1</b>	Locking device against opening the cubicle door when breaker is in connect position, FS2, FS3
<b>WDLRLC5UL</b>	Locking device against moving/racking the breaker when the cubicle door is in connect position, FS2, FS3
<b>WL4DLDRK2</b>	WL Cradle Lock Double Kirk FS2 4-Pole
<b>WL4DLUP2</b>	WL Cradle Lock Double Superior FS2 4-pole
<b>WL4DLPR2</b>	WL Cradle Lock Single Superior Provision FS2 4-pole
<b>WL4DLKRK3</b>	WL Cradle Lock Single Kirk FS3 4-Pole
<b>WL4DLSUP3</b>	WL Cradle Lock Single Superior FS3 4-pole
<b>WL4DLKRK3</b>	WL Cradle Lock Double Kirk FS3 4-pole
<b>WL4DLSUP3</b>	WL Cradle Lock Double Superior FS3 4-pole
<b>WL4DLPR3</b>	WL Cradle Lock Single Provision FS3 4-pole

Mechanical interlock devices <sup>1</sup>	
<b>WLNTLK</b>	For FS1, FS2, FS3 Draw-out breaker
<b>WLNTLKF1</b>	FS1 Fixed mounted circuit breaker
<b>WLNTLK23</b>	FS2 and FS3 Fixed mounted circuit breaker
<b>WLNTLWIRE2</b>	Interlock Cable (2.0m Bowden Cable)
<b>WLNTLWIRE3</b>	Interlock Cable (3.0m Bowden Cable)
<b>WLNTLWIRE4</b>	Interlock Cable (4.5m Bowden Cable)
<b>WLNTLWIRE5</b>	Interlock Cable (6.0m Bowden Cable)

<sup>1</sup> Mechanical interlock cable ships with 2.0m Bowden Cable.

## WL Spare/Replacement Parts

### Metering CT Units



3 phase metering CT, cradle frame mounted

Catalog number	Frame	Ratio
WLG8005MCT1	FS1	800:5
WLG12005MCT1	FS1	1200:5
WLG8005MCT2	FS2	800:5
WLG10005MCT2	FS2	1000:5
WLG12005MCT2	FS2	1200:5
WLG16005MCT2	FS2	1600:5
WLG20005MCT2	FS2	2000:5
WLG30005MCT2	FS2	3000:5
WLG32005MCT2	FS2	3200:5
WLG20005MCT3	FS3	2000:5
WLG30005MCT3	FS3	3000:5
WLG32005MCT3	FS3	3200:5
WLG40005MCT3	FS3	4000:5
WLG50005MCT3	FS3	5000:5



Single phase metering CT

Catalog number	Ratio
WLG800NMCT23	800:5
WLG1200NMCT23	1200:5
WLG1600NMCT23	1600:5
WLG2000NMCT23	2000:5
WLG3000NMCT23	3000:5
WLG3200NMCT23	3200:5
WLG4000NMCT23	4000:5
WLG5000NMCT23	5000:5

# WL Spare/Replacement Parts

## Ground Fault and Current Sensors



Modified differential CT



Neutral Sensor



Neutral Sensor with Bus Connector

Catalog number			
Modified differential ground fault for source ground return			
WLGMDGFCT2	FS2	1200:1	3 phase cradle mount
WLGMDGFCT3	FS3	1200:1	3 phase cradle mount
WLGMDGCT23	Iron core neutral sensor	1200:1	1 phase bus mount

External neutral CT for 4 wire residual ground fault		
WLNCT2	3"	Without copper bus adapter (pass-thru mount)
WLNCT3	3 – 5" max. bus-bar size	Without copper bus adapter (pass-thru mount)
WLNCT2CB	For 3"	With copper bus adapter for bus connection
WLNCT3CB	For 3" – 5" max. bus-bar size	With copper bus adapter for bus connection

## WL Spare/Replacement Parts

### Circuit Breaker Accessories



Shunt Trip Coil



Auxiliary Contact



Ready-to-Close Contact



Bell Alarm Reset Coil



Bell Alarm Contacts



Operations Counter

Catalog number	
<b>Shunt trip release</b>	
WLST24	24Vdc, 3-cycle momentary duty
WLST48	48Vdc, 3-cycle momentary duty
WLST120	120Vdc/120Vac, 3-cycle momentary duty
WLST240	250Vdc/240Vac, 3-cycle momentary duty
WLSTCD24	24Vdc, continuous duty (UL 489 only)
WLSTCD48	48Vdc, continuous duty (UL 489 only)
WLSTCD120	120Vdc/120Vac, continuous duty (UL 489 only)
WLSTDC240	250Vdc/240Vac, continuous duty (UL 489 only)
(signal contactor first Shunt Trip)	
WLSTC	"NO" switch 3A-240Vac rating
(signal contactor second Shunt Trip )	
WLUVRC	"NO" switch 3A-240Vac rating
<b>Auxiliary signaling switch</b>	
WLAS2	2 NO and 2 NC contacts
WLAS4	4 NO and 4 NC contacts
<b>Ready-to-close signal switch</b>	
WLRTC	1 form "A" NO contact 5A - 240Vac
<b>Bell alarm</b>	
Remote reset solenoid for Bell-alarm and trip indicator	
WLRSET24	24Vdc
WLRSET48	48Vdc
WLRSET120	125Vdc/120Vac
WLRSET240	250Vdc/240Vac
WLBA	Form "C" contact
<b>Operation Counter</b>	
Available only with spring charging motor option	
WLNMCNT	Mechanical counter

## WL Spare/Replacement Parts

### Circuit Breaker Accessories



Undervoltage Trip Coil



Signal Contacts



Closing Coil



Charging Motor

Catalog number	
<b>Undervoltage trip release</b>	
WLUV24	24Vdc, instantaneous trip
WLUV48	48Vdc, instantaneous trip
WLUV120	125Vdc/120Vac, instantaneous trip
WLUV240	250Vdc/240Vac, instantaneous trip
WLUV48	48Vdc, time delayed
WLUV120	125Vdc/120Vac, time delayed
WLUV240	250Vdc/240Vac, time delayed
<b>Signal contactor for UV trip</b>	
WLUVRC	"NO" switch 3A – 240Vac rating
<b>Closing coil</b>	
WLRC24	24Vdc, 3 cycle momentary duty
WLRC48	48Vdc, 3 cycle momentary duty
WLRC120	125Vdc/120Vac, 3 cycle momentary duty
WLRC240	250Vdc/240Vac, 3 cycle momentary duty
<b>Spring charging motor</b>	
WLELCMTR24	24Vdc, Charging motor
WLELCMTR48	48Vdc, Charging motor
WLELCMTR120	120Vdc/120Vac, Charging motor
WLELCMTR240	250Vdc/240Vac, Charging motor
WLELCMTR24S	24Vdc, Charging motor w/cut-off switch
WLELCMTR48S	48Vdc, Charging motor w/cut-off switch
WLELCMTR120S	125Vdc/120Vac, Charging motor w/cut-off switch
WLELCMTR240S	250Vdc/240Vac, Charging motor w/cut-off switch
WLMCOSW	Motor cut-off switch



## WL Spare/Replacement Parts

### Circuit Breaker Accessories



Breaker Current Sensor

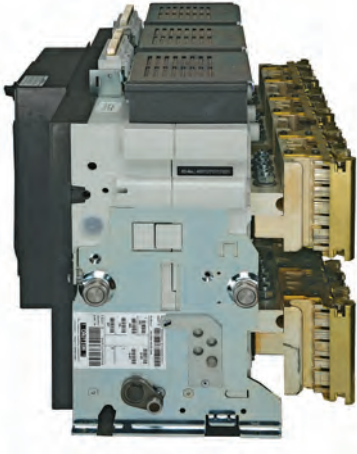


Arc Chutes

Catalog number	
<b>ANSI UL 1066 breaker internal contact replacement kit</b>	
RCS2N10	FS2 N-Group, 800A, 1600A
RCS2S10	FS2 S-Group, 800A, 1600A
RCS2H10	FS2 H-Group, 800A, 1600A
RCS2L10	FS2 L-Group, 800A, 1600A
RCS2S15	FS2 S-Group, 2000A
RCS2HF15	FS2 H and F-Group, 2000A
RCS2L15	FS2 L-Group, 2000A
RCS2S30	FS2 S-Group, 3200A
RCS2H30	FS2 H-Group, 3200A
RCS2L30	FS2 L-Group, 3200A
RCS3HF30	FS3 H and F-Group, 4000/5000A
RCS3L30	FS2 L-Group, 4000/5000A
<b>Internal phase sensor (Rogowski coil)</b>	
WLCT2	FS2 ANSI breaker kit for one breaker (3 current sensors included)
WLCT3	FS3 ANSI breaker kit for one breaker (3 current sensors included)
<b>ANSI 1066 breaker arc chute replacement kit</b>	
WLARC2	For FS2 ANSI breaker only (3 arc chutes included)
WLARC3	For FS3 ANSI breaker only (3 arc chutes included)
WLARCM3	For FS3 ANSI M-Class breaker only (3 arc chutes included)

## WL Spare/Replacement Parts

### Circuit Breaker Accessories



Fixed Breaker Connectors

Catalog number		Units
<b>Circuit breaker finger cluster replacement kit</b>		
WLFNGR1UL	For FS1 UL489 800A, 1200A	1 piece
WLFNGR10UL	For FS2 UL489 800, 1200, 1600A Class S&L	1 piece
WLFNGR15UL	For FS2 UL489 2000A, S&L	1 piece
WLFNGR30UL	For FS2 UL489 2500/3000A Class S&L	1 piece
WLFNGR30ULC	For FS2 UL489 1600/2000/2500/3000A Class C only	1 piece
WLFNGR10	For FS2 ANSI 800A, 1200A	1 piece
WLFNGR15	For FS2 ANSI 2000A	1 piece
WLFNGR30	For FS2 ANSI 3200A	1 piece
WLFC6X3	For FS3 ANSI 4000A, 5000A	1 piece
WLFC6X1A	For FS1 UL489 800A, 1200A	6 pieces
WLFC6X10	For FS2 ANSI 800, 1600A	6 pieces
WLFC6X15	For FS2 ANSI 1200A	6 pieces
WLFC6X1B	For FS2 Fused	6 pieces
WLFC6X30	For FS2 ANSI, 3200A	6 pieces
WLFC6X3C	For FS2 C-Class	6 pieces
WLFC6X3A	For FS3 ANSI 4000A, 5000A	6 pieces
WLFC6X3B	For FS3 Fuse carriage	6 pieces

<b>Circuit breaker bus connectors</b>		
UL 489 Fixed Mount (Front mount Bus Connector)		
WLH1F12CONUL	FS1, 800-1200AF, 85kAIC at 480V maximum	6 pieces
WLL2F16CONUL	FS2, 1600AF, 100kAIC at 480V maximum	6 pieces
WLL2F20CONUL	FS2, 2000AF, 100kAIC at 480V maximum	6 pieces
WLL2F25CONUL	FS2, 2500AF, 100kAIC at 480V maximum	6 pieces
WLL2F30CONUL	FS2, 2500-3000AF, 100kAIC at 480V maximum	6 pieces
WLL3F50CONUL	FS3, 4000-5000AF, 100kAIC at 480V maximum	6 pieces
(Rear Vertical Bus Connector)		
WLH1R12CONUL	FS1, 800-2000AF, 100kAIC at 480 V maximum	6 pieces
WLL2R16CONUL	FS2, 800-1600AF, 100kAIC at 480V maximum	6 pieces
WLL2R20CONUL	FS2, 2000AF, 100kAIC at 480V maximum	6 pieces
WLL2R30CONUL	FS2, 2500-3000AF, 100kAIC at 480V maximum	6 pieces
WLC2R30CONUL	FS2, 800-3000A, 150kAIC at 480V max	6 pieces
WLC3R50CONUL	FS3, 4000-5000AF, 150kAIC at 480V maximum	6 pieces
UL 1066 Fixed Mount (4-Pole Rear Vertical Bus Connector)		
WL4L2R16CONUL	FS 2 800A -1600A rear vertical connectors	(8 pieces, includes Neutral pole)
WL4L2R20CONUL	FS 2 2000A rear vertical connectors	(8 pieces, includes Neutral pole)
WL4L2R32CONUL <sup>1</sup>	FS 2 3200A rear vertical connectors	(8 pieces, includes Neutral pole)
WL4L2R50CONUL <sup>1</sup>	FS 3 4000A - 5000A rear vertical connectors	(8 pieces, includes Neutral pole)

<b>Circuit breaker fix mount optional metric hardware</b>		
WLMETRC	FS1 and FS2 M8x25 bolts and 6.3 washers	
WLMETRC3	FS3 M10X25 bolts and 6.3 washers	

<sup>1</sup> FS II 3200A, FS III 4000A, 5000A breakers include vertical connectors as a standard.

# WL Spare/Replacement Parts

## Circuit Breaker Accessories

### Locking Provisions (Overview)



#### Padlock Provisions

- P1** OPEN (Trip-Free) (see page 4)
- P2** Racking Handle (see page 4)
- P5** OPEN / CLOSE Buttons (see page 5)
- P6** Charging Handle (see page 5-6)

#### Keylock Provisions

- K1** OPEN (Trip-Free) (see page 6)
- K2** Racking Handle (see page 6)
- K3** OPEN / CLOSE Buttons (see page 7)
- K4** Bell Alarm Reset (see page 7)

#### Mechanical Interlocks

- M1** Emergency OPEN (see page 8)
- M2** Cheat-Hole Covers and Button Shields (see page 9)
- M5** Door Closed w/ Circuit Breaker CLOSED (see page 9)

#### Padlock Provisions

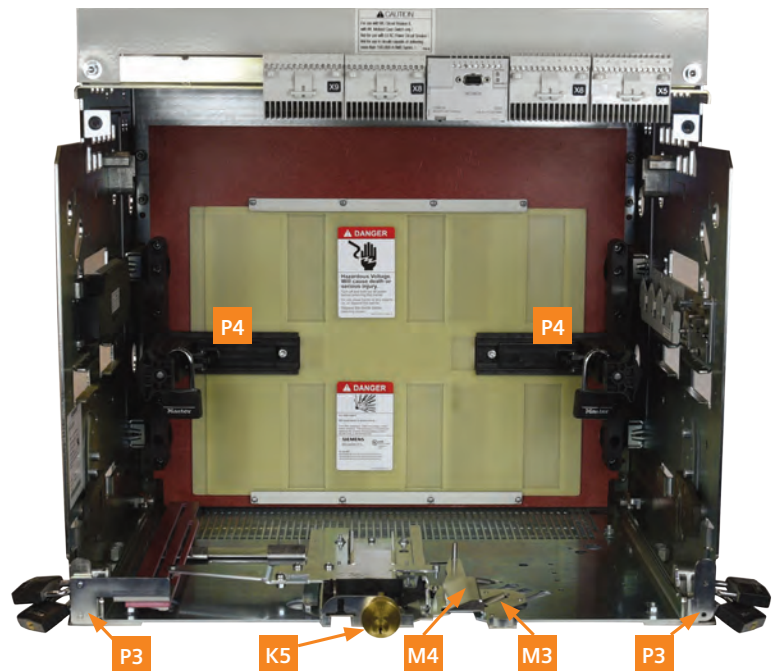
- P3** Drawout Rails (see page 5)
- P4** Shutter (see page 5)

#### Keylock Provisions

- K5** OPEN (Trip-Free) (see page 7)

#### Mechanical Interlocks

- M3** Closed Door Racking (see page 9)
- M4** Door Closed While Connected (see page 9)



## WL Spare/Replacement Parts Options and Accessories



Breaker Open Lock  
WLLKOFFKRK



Pushbutton Lock Outs  
WLLKKT



Charge Handle Lock  
WLHANDLC

Catalog number	
<b>Breaker Locking Device</b>	
WLLKOFFDRUL1	Door lock FS1 (locked when breaker is closed)
WLLKOFFDRUL3	Door lock FS2/FS3 (locked when breaker is closed)
WLLKOFFKRK	Kirk key (lock when breaker is open)
WLLKOFFSUP	Superior Key (lock when breaker is open)
WLLKNP	Provision only padlock (lock when breaker is open)
WLLKOFFPR	Provision only key lock (lock when breaker is open)
WLLKKT	Sealing/Locking cover for OPEN/CLOSE button w/cheat-hole
WLLKCLKRK1	Racking handle lock, FS1 - Kirk key
WLLKCKRK	Racking handle lock, FS2/FS3 - Kirk key
WLLKCLSUP1	Racking handle lock, FS1 - Superior key
WLLKCLSUP	Racking handle lock, FS2/FS3 - Superior key
WLLKCLPR	Racking handle lock, FS2/FS3 - Provision only
WLHANDLC	Charging handle padlock provision
WLEPEN	Emergency OPEN button (mushroom head)

## Fuse Kits

Catalog number	
<b>WL fuse replacement kits</b>	
WLCLF0400	Breaker fuse kit FS2 400A (3 Fuses)
WLCLF0600	Breaker fuse kit FS2 600A (3 Fuses)
WLCLF0800	Breaker fuse kit FS2 800A (3 Fuses)
WLCLF0900	Breaker fuse kit FS2 900A (3 Fuses)
WLCLF1000	Breaker fuse kit FS2 1000A (3 Fuses)
WLCLF1200	Breaker fuse kit FS2 1200A (3 Fuses)
WLCLF1600	Breaker fuse kit FS2 1600A (3 Fuses)
WLCLF2000	Breaker fuse kit FS2 2000A (3 Fuses)
WLCLF2500	Breaker fuse kit FS2 2500A (3 Fuses)
WLCLF3000	Breaker fuse kit FS2 3000A (3 Fuses)
WLCLF3001	Carriage fuse kit FS3 3000A (3 Fuses)
WLCLF4000	Carriage fuse kit FS3 4000A (3 Fuses)
WLCLF5000	Carriage fuse kit FS3 5000A (3 Fuses)
WLCLF6000	Carriage fuse kit FS3 6000A (3 Fuses)

## WL Spare/Replacement Parts

### Options and Accessories



Sealing Frame  
WLDSF



Plexiglass Cover  
WLPGC



Lift Device  
WLLFT

Catalog number	
WLDSF	Door sealing frame, FS2/FS3
WLPGC	Door plexiglass cover, FS2/FS3
WLLFT	3-pole breaker lifting yoke
WLLFT4	4-pole breaker lifting yoke
WLHOIST	Breaker Lift Truck/Hoist
WLBGREASE	WL circuit breaker maintenance grease
WLBCESTEST	WL circuit breaker certified test report

Should it become necessary for the customer to return a WL circuit breaker frame for any reason, proper packaging is to be used to prevent damage to the product while in shipment.

WLPFS1B	Packaging for FS1 Breaker
WLPFS2B	Packaging for FS2 Breaker
WLPFS2FB	Packaging for FS2 Fused Breaker
WLPFS3B	Packaging for FS3 Breaker



# WL Spare/Replacement Parts

## Communication Components

### Quick reference guide

Task	Accessories
Manual charging circuit breaker to electrically operated circuit breaker...	<ul style="list-style-type: none"> <li>• WLELCMTRXX</li> <li>• WLMCOSW Motor Cut-off switch (Optional)</li> </ul>
Remote operation of circuit breaker	<ul style="list-style-type: none"> <li>• WLELCMTRXX</li> <li>• WLMCOSW Motor Cut-off switch (Optional)</li> <li>• Shunt Trip (WLSTXX)</li> <li>• Close coil (WLRCSEX)</li> <li>• Control Power</li> </ul>
Remote operation of circuit breaker via communications	<ul style="list-style-type: none"> <li>• WLELCMTRXX</li> <li>• WLMCOSW Motor Cut-off switch (Optional)</li> <li>• Shunt Trip (WLSTXX)</li> <li>• Close coil (WLRCSEX)</li> <li>• COM15/COM16/COM35 (WLCMXX)</li> <li>• 24V DC Power Supply</li> <li>• Power supply for electric motor, shunt trip etc, should be separate than the one used for trip unit.</li> </ul>
Dynamic Arc Sentry (DAS)	<ul style="list-style-type: none"> <li>• WLETU776 + WLDGNCUB + WLRLYCCUB (Input + Output Modules)</li> <li>• 24V DC Class 2 Power Supply</li> </ul>
	<ul style="list-style-type: none"> <li>• WLETU776 + WLCOM35 (Output Module Not Required)</li> <li>• 24V DC Class 2 Power Supply</li> </ul>
	Add the following for use with communications <ul style="list-style-type: none"> <li>• WLCM15M for PROFIBUS</li> <li>• WLCM16MD for Modbus</li> </ul>
PROFIBUS Addition	To a circuit breaker: <ul style="list-style-type: none"> <li>• WLCM15M + WLBSS</li> <li>• WLCM15RET includes (WLCM15M+WLBSS). This uses the 24VDC Class 2 power supply used for the ETU.</li> </ul>
	To a switch: <ul style="list-style-type: none"> <li>• WLCM15M + WLBSS + External 24VDC Class 2 UL Power Supply (WLSITOP25)</li> </ul>
Modbus Addition	To a circuit breaker: <ul style="list-style-type: none"> <li>• WLCM16RET (includes WLCM16MD+WLBSS)</li> <li>• 24V DC Class 2 Power Supply</li> </ul>
	To a switch: <ul style="list-style-type: none"> <li>• WLCM16RET (includes WLCM16MD+WLBSS)</li> <li>• 24V DC Class 2 Power Supply</li> </ul>
Modbus TCP Addition	To a circuit breaker: <ul style="list-style-type: none"> <li>• WLCOM35RET (includes WLCOM35+WLBSS)</li> <li>• 24V DC Class 2 Power Supply</li> </ul>
	To a switch: <ul style="list-style-type: none"> <li>• WLCOM35RET (includes WLCOM35+WLBSS)</li> <li>• 24V DC Class 2 Power Supply</li> </ul>
Power Supply Requirements	For ETU, and Cubicle bus modules, the power supply must be UL Listed Class 2 24VDC <ul style="list-style-type: none"> <li>• WLSITOP25 (2.5A) : good for 2 breakers (2ETUs, COMM Cubicle bus Modules)</li> <li>• WLSITOP1 (3.8A): good for up to 4 breakers (4ETUs, COMM Cubicle bus Modules)</li> </ul>

## WL Spare/Replacement Parts

### Communication Components

Accessory	Description
WLELCMTRXX	<ul style="list-style-type: none"> <li>• Charging motor</li> <li>• 24VDC/48VDC/125VDC/250VDC/120VAC/240VAC</li> </ul>
WLMCOSW	<ul style="list-style-type: none"> <li>• Motor cut-off switch</li> </ul>
WLSTXX	<ul style="list-style-type: none"> <li>• Shunt trip</li> <li>• 3-cycle or continuous duty</li> <li>• 24VDC/48VDC/125VDC/250VDC/120VAC/240VAC</li> </ul>
WLRCSEX	<ul style="list-style-type: none"> <li>• Closing coil</li> <li>• 3-cycle</li> <li>• 24VDC/48VDC/125VDC/250VDC/120VAC/240VAC</li> </ul>
WLBSS	<ul style="list-style-type: none"> <li>• Breaker Status Sensor (BSS Board)</li> </ul>
WLSITOP25	<ul style="list-style-type: none"> <li>• Power supply for trip unit and communications</li> <li>• 24VDC</li> <li>• 2.5A SITOP Power, Class 2</li> </ul>
WLSITOP1	<ul style="list-style-type: none"> <li>• Power supply for trip unit and communications</li> <li>• 24VDC</li> <li>• 3.8A SITOP Power, Class 2</li> </ul>
WLCM15M	<ul style="list-style-type: none"> <li>• COM15 PROFIBUS Communication Module</li> </ul>
WLCM15RET	<ul style="list-style-type: none"> <li>• COM15 PROFIBUS Communication Module with BSS</li> </ul>
WLCM16MD	<ul style="list-style-type: none"> <li>• COM16 Modbus Communication Module</li> </ul>
WLCM16RET	<ul style="list-style-type: none"> <li>• COM16 Modbus Communication Module with BSS</li> </ul>
WLCOM35	<ul style="list-style-type: none"> <li>• COM35 Modbus TCP Communication Module</li> </ul>
WLCOM35RET	<ul style="list-style-type: none"> <li>• COM35 Modbus TCP Communication Module with BSS</li> </ul>



## Notes

## Notes



**Published by  
Siemens Industry, Inc. 2020.**

Siemens Industry, Inc.  
3617 Parkway Ln  
Peachtree Corners, GA 30092

For more information, please contact  
our Customer Support Center.  
Phone: 1-800-241-4453  
E-mail: [info.us@siemens.com](mailto:info.us@siemens.com)

**[usa.siemens.com/wl](http://usa.siemens.com/wl)**

Order No.: CBSA-00001-0620  
Printed in U.S.A.  
© 2020 Siemens Industry, Inc.

The technical data presented in this document is based on an actual case or on as-designed parameters, and therefore should not be relied upon for any specific application and does not constitute a performance guarantee for any projects. Actual results are dependent on variable conditions. Accordingly, Siemens does not make representations, warranties, or assurances as to the accuracy, currency or completeness of the content contained herein. If requested, we will provide specific technical data or specifications with respect to any customer's particular applications. Our company is constantly involved in engineering and development. For that reason, we reserve the right to modify, at any time, the technology and product specifications contained herein.