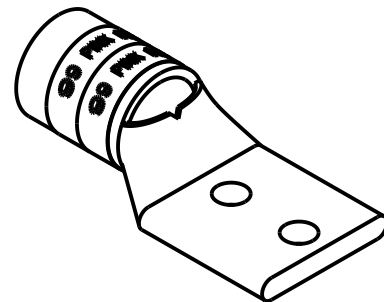
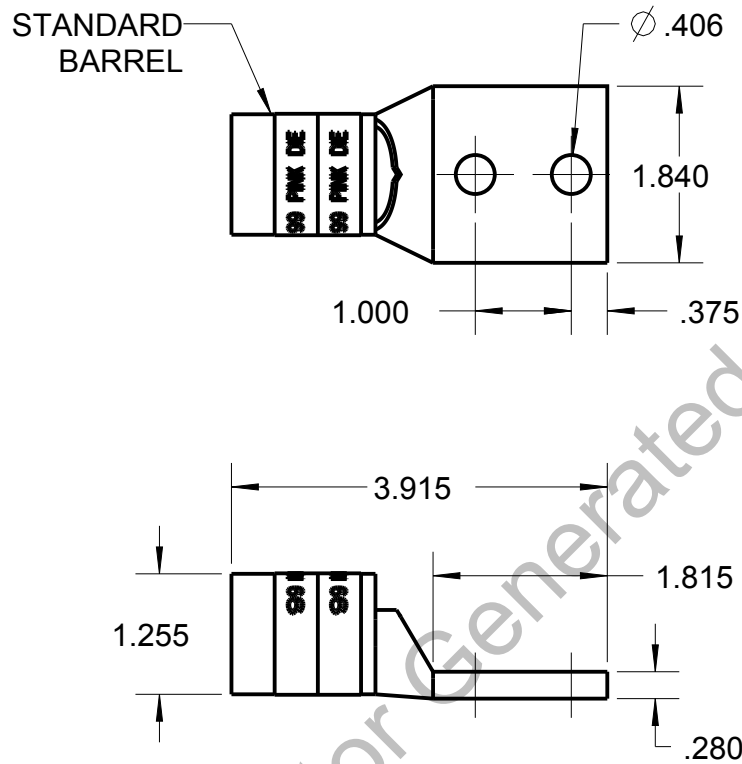



# Blackburn Compression

Featuring the Color-Keyed® System

CATALOG NO. 256-30695-898



WIRE SIZE: 700 MCM  
 MATERIAL: HIGH CONDUCTIVITY COPPER  
 FINISH: TIN PLATED

GENERAL NOTES		 www.tnb.com			
1. ALL DIMENSIONS ARE FOR REFERENCE ONLY. 2. DIMENSIONS IN BRACKETS [ ] ARE IN METRIC UNITS.					
REVISIONS		DESCRIPTION: <b>2 HOLE LUG</b>			
** SEE ERN (****) FOR APPROVAL SIGNATURES & RELEASE DATE. PROJECT NO: ****					
ORIGINAL PROJECT NO / (ERN NO)	SHEET NO:	REV. NO:	DRAWING NO: WSD-001940		
/ ( )	1 OF 1	0	256-30695-898		