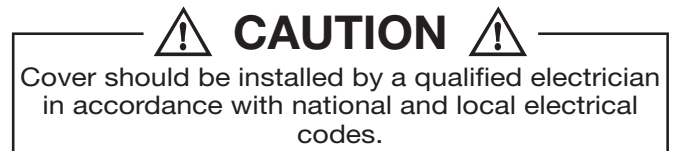


FLUSH COVER

Installation Instructions

For Catalog Numbers: 68-HP-FC-ALM, 68-HP-FC-BRS, and 68-HP-FC-BLK

IMPORTANT: Read all instructions before installing floor box, carpet plate or mounting kit.



1.0 Installation

1.1 The Following Parts are Required:

- 68-HP Series Floor Box
- 68-HP-FMK Flush Mounting Kit
- 68-HP-FC-XXX Cover

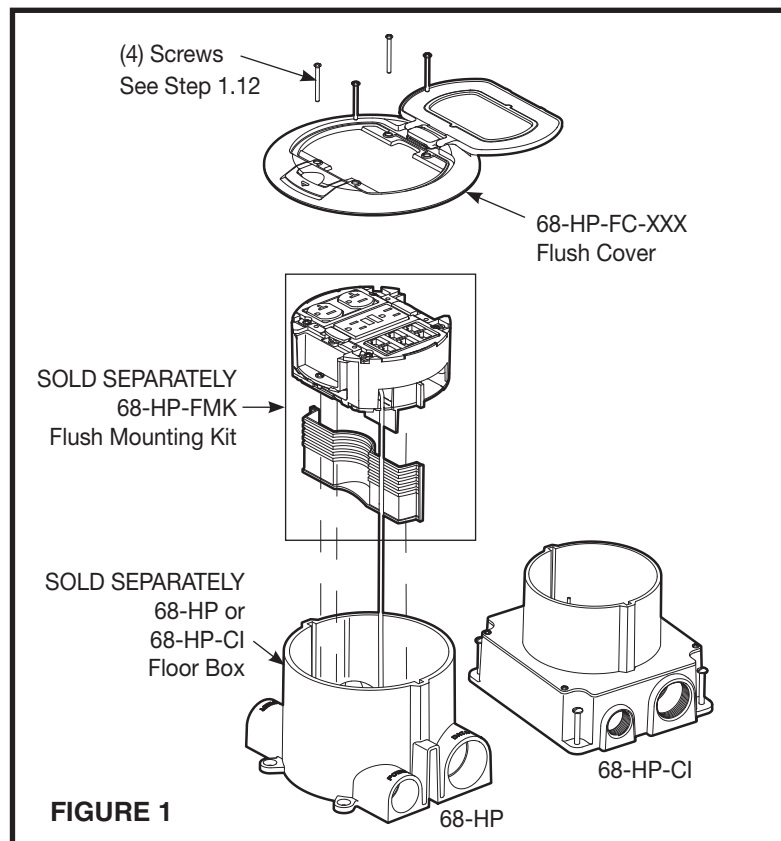
1.2 Use #6-32 x 1-1/4" Long Screws Furnished with Cover.

1.3 Follow Installation Instructions furnished with the 68-HP-FMK Flush Mounting Kit (see Figure 1).

Table of Contents

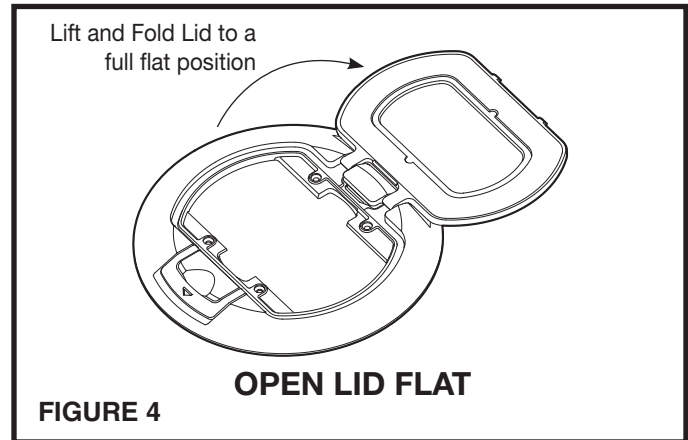
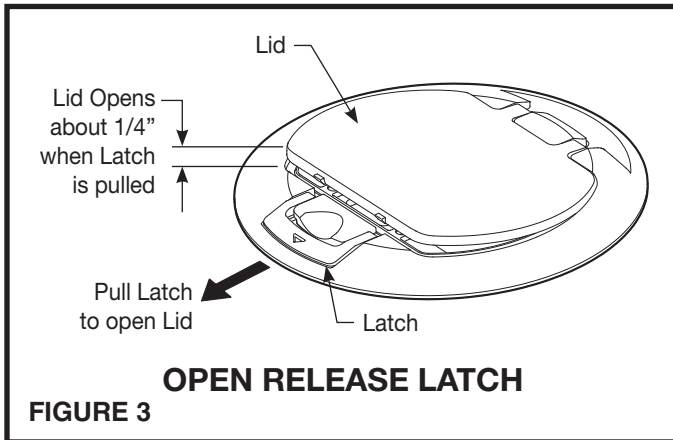
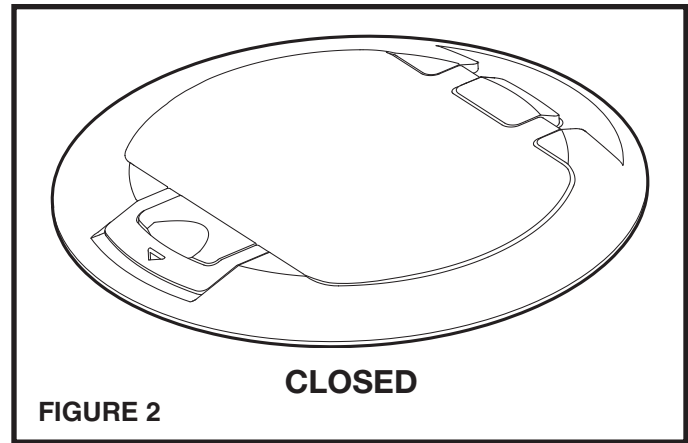
1.0 Installation

2.0 Cover Operation



2.0 Cover Operation

- 2.1 Cover shown closed (see Figure 2).
- 2.2 Release Latch. Pull Lid Latch and Lid will open about a 1/4" (see Figure 3).
- 2.3 Open Fully. Lift and Open Lid to a full flat position (see Figure 4).
- 2.4 Close Lid. Fold Lid shut and press down or step on to engage latch and close Lid (see Figure 2).



WARRANTY: Thomas & Betts sells this product with the understanding that the user will perform all necessary tests to determine the suitability of this product for the user's intended application. Thomas & Betts warrants that this product will be free from defects in materials and workmanship for a period of ninety (90) days following the date of purchase. Upon prompt notification of any warranted defect, Thomas & Betts will, at its option, repair or replace the defective product or refund the purchase price. Proof of purchase is required. Misuse or unauthorized modification of the product voids all warranties.

Limitations and Exclusions: THE ABOVE WARRANTY IS THE SOLE WARRANTY CONCERNING THIS PRODUCT, AND IS IN LIEU OF ALL OTHER WARRANTIES EXPRESS OR IMPLIED, INCLUDING BUT NOT LIMITED TO ANY IMPLIED WARRANTY OF MERCHANTABILITY OR FITNESS FOR A PARTICULAR PURPOSE, WHICH ARE SPECIFICALLY DISCLAIMED. LIABILITY FOR BREACH OF THE ABOVE WARRANTY IS LIMITED TO COST OF REPAIR OR REPLACEMENT OF THE PRODUCT, AND UNDER NO CIRCUMSTANCES WILL THOMAS & BETTS BE LIABLE FOR ANY INDIRECT, SPECIAL, INCIDENTAL OR CONSEQUENTIAL DAMAGES.