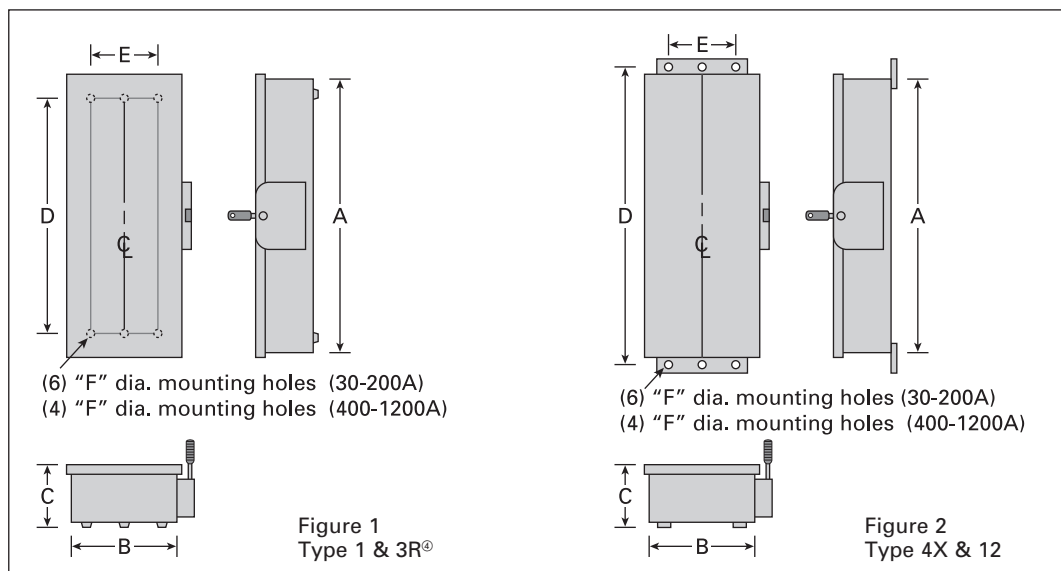


Safety Switches

VBII Design Double Throw Dimensions (Inches)

Catalog Number	Enclosure			Mounting		
	A	B	C	D	E	F
Figure 1 (30-1200A Type 1 & 3R)						
DTNF221, DTNF321, DTNF361, DTNF361R	24.50	9.53	6.09	19.00	6.75	0.268
DTF321, DTF321R, DTF361	29.12	9.53	6.09	23.50	6.75	0.268
DTNF222, DTNF322, DTNF362, DTNF362R	24.88	11.50	6.09	19.00	9.38	0.268
DTF322, DTF322R, DTF362	33.45	11.50	6.09	27.50	9.38	0.268
DTNF223, DTNF323, DTNF323R, DTNF363, DTNF363R, DTGNF223R, DTGNF223NR, DTGNF323R, DTGNF323NR	27.62	12.18	6.09	19.36	8.00	0.268
DTF323, DTF323R, DTF363, DTF363R	36.44	12.18	6.09	28.11	8.00	0.268
DTNF224, DTNF224R, DTNF324, DTNF324R, DTNF364, DTNF364R, DTGNF224R, DTGNF224NR, DTGNF324R, DTGNF324NR	36.00	19.12	6.42	31.00	15.00	0.44
DTF224, DTF224R, DTF324, DTF324R, DTF364, DTF364R	49.44	19.12	6.42	44.50	15.00	0.44
DTF325, DTF326, DTF365	73.54	28.22	9.44	65.50	16.00	0.56
DTNF225, DTNF225R, DTNF325, DTNF365, DTNF365R	57.71	28.22	9.44	49.75	16.00	0.56
DTNF326, DTNF366, DTNF366R	57.71	28.22	9.44	49.75	16.00	0.56
DTNF327, DTNF367, DTNF367R	71.65	41.60	9.44	63.70	32.00	0.56
DTNF368, DTNF368R	71.65	41.60	9.44	63.70	32.00	0.56
FR325DTK [Ⓢ] , FR355DTK [Ⓢ]	74.31	24.90	8.88	69.50	20.25	0.56
FR326DTK [Ⓢ]	85.65	27.00	8.88	80.75	22.25	0.56
NFR451DTK [Ⓢ] , NFR452DTK [Ⓢ] , NFR453DTK [Ⓢ]	24.63	17.34	4.78	21.50	14.97 [Ⓢ]	0.27 [Ⓢ]
NF454DTK [Ⓢ] , NFR454DTK [Ⓢ]	37.25	19.19	6.32	33.50	16.00 [Ⓢ]	0.56 [Ⓢ]
NF455DTK [Ⓢ] , NF456DTK [Ⓢ] , NF457DTK [Ⓢ] , NFR455DTK [Ⓢ] , NFR456DTK [Ⓢ] , NFR457DTK [Ⓢ]	63.31	27.00	8.88	58.50	22.25 [Ⓢ]	0.56 [Ⓢ]
Figure 2 (30-200A Type 12 & 4X)						
DTNF361J, DTNF361S	24.42	9.65	6.48	26.65	5.47	0.27
DTNF362J, DTNF362S	24.80	11.61	6.48	27.03	8.00	0.27
DTNF363J, DTNF363S	27.54	12.29	6.48	29.77	8.47	0.27
DTNF364J, DTNF364S	35.93	19.24	6.78	38.16	13.44	0.33
NF355HDTK [Ⓢ] , NF355SSDTK [Ⓢ]	53.82	22.66	7.25	56.20	18.00	0.56
NF454SSDTK [Ⓢ]	37.47	19.16	6.48	39.75	15.75	0.50 [Ⓢ]
F353SSDTK [Ⓢ]	37.00	11.62	5.50	38.50	9.00	0.26
F354SSDTK [Ⓢ]	50.90	19.16	6.46	53.27	16.12	0.50
F355SSDTK [Ⓢ]	74.50	25.00	8.92	76.69	20.25	0.56



*For inches / millimeters conversion, multiply inches by 25.4.

Ⓢ (3) Mounting holes supplied (1 at top).
 Ⓢ (4) Mounting holes provided.

Ⓢ These switches are not Type VBII design.
 Ⓢ Drip hood not shown but provided on Type 3R enclosures.