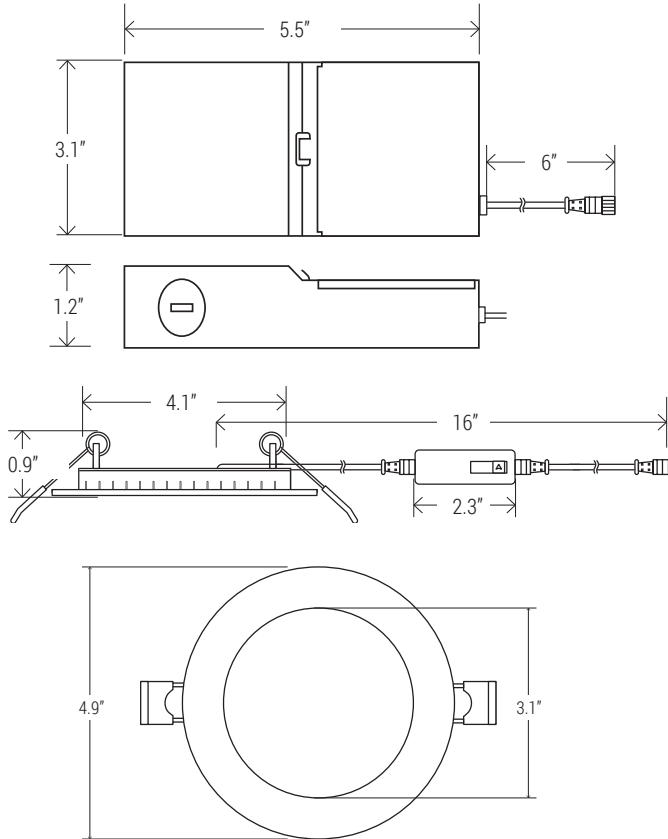




EASY 5 COLORS
SELECCTOR
2700K • 3000K • 3500K • 4000K • 5000K



NOMINAL LUMENS	DELIVERED LUMENS	WATTAGE
550	605	9W
850	940	12W

Based on 4000K, 90+ CRI. Actual wattage may vary +/- 5%

INSTALLATION

Cut hole in ceiling. Insert luminaire into opening by squeezing spring clips on both sides of luminaire. The width in ceiling needed for the driver to fit is 3".

You **MUST** seal all gaps between the ceiling and fixture with weatherproof silicone sealant. This deters moisture and water from damaging fixtures and other mechanical ceiling elements.

FEATURES

4" round multi-CCT LED "Slim Disk" engineered for new construction, remodel, or retrofit to accommodate insulated or dropped ceilings. Easily access field-adjustable 5-Color SeleCCTOR switch by lowering the luminaire from the opening. Recessed housing not required, especially with limited plenum applications. Remote driver allows easy installation and maintenance. Small aperture and shallow depth are ideal for unlimited applications.

LUMENS	550, 850
CCT	27K/30K/35K/40K/50K
CRI	90+
COLOR QUALITY	3-Step MacAdam Ellipse
CONSTRUCTION	Aluminum die-cast body and trim
TRIM OPTION	Round Flat Lens
TRIM COLORS	WH (White), BK (Black), BZ (Bronze), SN (Satin Nickel), CP (Copper), CH (Chrome)
DIMMING	DIMTR (Triac), DIM10 (0-10V)
EMERGENCY	16W high voltage inverter (remote)
LIFETIME	L70 at 50,000 Hours
PHOTOMETRIC TESTS	In Accordance with IES LM79-08, LM80 and TM-30, TM-21

- IC-rated and Air-Tight ready and may be in direct contact with insulation.
- Can be installed in shallow plenum spaces.
- May be installed in drywall or suspended ceilings.
- Flicker-free 120V forward-phase Triac dimming down to 5%.
- Even illumination achieved with patent-pending optics and edge-lit LED technology.
- Ideal where ceiling or top access is unavailable.



SLIM TRIM



EXAMPLE: **RL475-550L-DIMTR-120-27K/30K/35K/40K/50K-90-WH**

TYPE	LUMEN	CCT	CRI	FINISH
RL475	<input type="checkbox"/> 550L-DIMTR-120 <input type="checkbox"/> 550L-DIM10-120-347 <input type="checkbox"/> 850L-DIMTR-120 <input type="checkbox"/> 850L-DIM10-120-347	<input type="checkbox"/> 27K/30K/35K/40K/50K	<input type="checkbox"/> 90+	<input type="checkbox"/> WH - White

TRIM RINGS



RL475-RT-BK
(Black)



RL475-RT-BZ
(Bronze)



RL475-RT-CH
(Chrome)



RL475-RT-CP
(Copper)



RL475-RT-SN
(Satin Nickel)

RL475-RT-BZ

ACCESSORIES
<input type="checkbox"/> RL475-RT-BZ -Bronze <input type="checkbox"/> RL475-RT-BK -Black <input type="checkbox"/> RL475-RT-CH -Chrome <input type="checkbox"/> RL475-RT-CP -Copper <input type="checkbox"/> RL475-RT-SN -Satin Nickel

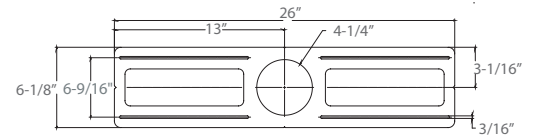
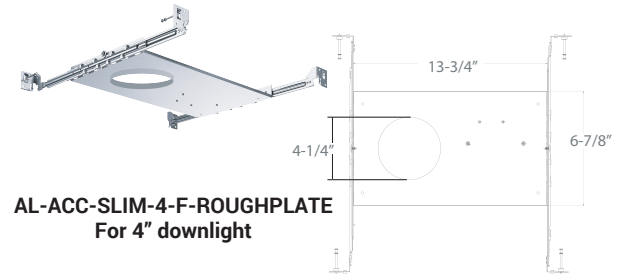
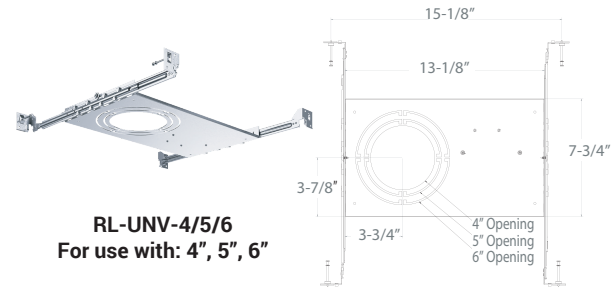
ACCESSORIES



RL-ACC-SLIM-1-10F
10-ft long extension



RL-ACC-SLIM-1-20F
20-ft long extension



RL-ACC-SLIM-4-ROUGHPLATE
Rough-in plate for use with 4" downlights

RL-ACC-SLIM-1-10F

OPTIONS
<input type="checkbox"/> RL-ACC-SLIM-1-10F - 10ft Long Extension <input type="checkbox"/> RL-ACC-SLIM-1-20F - 20ft Long Extension <input type="checkbox"/> RL-UNV-4/5/6 - Universal Mounting Plate for 4", 5" and 6" <input type="checkbox"/> RL-ACC-SLIM-4-ROUGHPLATE - 4" Mounting Plate <input type="checkbox"/> AL-ACC-SLIM-4-F-ROUGHPLATE - 4" Flanged Roughplate

RL475-550L-DIMTR-120-27K-30K-35K-40K-50K-90-WH

TEST NO.: **EL05281984**

INPUT WATTS: **9.4**

LUMENS: **605**

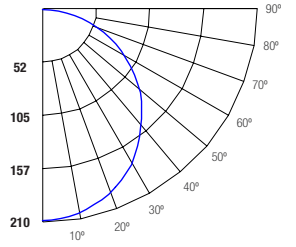
CRI: **90**

EFFICACY: **64**

CCT: **4000K**

SPACING CRITERIA: **1.38**

Candle Power Distribution (Candelas)



Cone of Light			
2	52.4	6.1	5.8
4	13.1	12.2	11.7
6	5.83	18.3	17.5
8	3.28	24.4	23.3
10	2.1	30.6	29.2
12	1.46	36.7	35

(FT.) Distance to Plane (FC) Initial Footcandle at Nadir (FT) Beam Vert. Spread (FT) Beam Horiz. Spread

BEAM DIA. MEASURED AT 50% OF NADIR F.C.

Zonal Lumens Summary

Zone	Lumens	%Lamp	%Fixt
0-20	76.44	12.60	12.60
0-30	162.14	26.80	26.80
0-40	265.19	43.90	43.90
0-60	468.75	77.50	77.50
0-80	589.71	97.50	97.50
0-90	604.69	100.00	100.00

Luminance (Average candela/M²)

Angle in Degrees	Average		
	0°	45°	90°
45	30281	29941	29713
55	29850	29142	28487
65	29216	28180	26567
75	28897	27033	24012
85	28889	26602	2793

Lumens Per Zone

Zone	Lumens
0-10	19.81
10-20	56.63
20-30	85.71
30-40	103.05
40-50	106.63
50-60	96.92
60-70	75.12
70-80	45.84
80-90	14.98

Candela Tabulation

0	0	0	0
0	209.70	0	209.70
5	208.52	5	208.52
15	200.61	15	200.61
25	186.82	25	186.82
35	165.74	35	165.74
45	140.74	45	140.74
55	112.54	55	112.54
65	81.16	65	81.16
75	49.16	75	49.16
85	16.55	85	16.55
90	0.24	90	0.24

Coefficients of Utilization - Zonal Cavity Method

Effective Floor Cavity Reflectance 0.20

RC	80%				70%				50%				30%				10%				0%			
	RW	70%	50%	30%	10%	70%	50%	30%	10%	50%	30%	10%	50%	30%	10%	50%	30%	10%	50%	30%	10%	0%		
ROOM CAVITY RATIO	0	119	119	119	119	116	116	116	116	111	111	111	106	106	106	102	102	102	102	102	102	100		
1	108	103	99	95	106	101	97	93	97	94	90	93	90	88	89	87	85	83	83	83	83	83		
2	98	90	83	77	96	88	82	76	84	79	74	81	77	73	78	74	71	69	69	69	69	69		
3	90	79	70	64	87	77	69	63	74	68	62	71	66	61	69	64	60	58	58	58	58	58		
4	82	70	61	54	80	68	60	54	66	59	53	63	57	52	61	56	51	49	49	49	49	49		
5	75	62	53	46	73	61	52	46	59	51	46	57	50	45	55	49	45	42	42	42	42	42		
6	69	56	47	40	68	55	46	40	53	46	40	51	45	39	50	44	39	37	37	37	37	37		
7	64	51	42	36	63	50	41	36	48	41	35	47	40	35	46	39	35	33	33	33	33	33		
8	60	46	38	32	58	46	37	32	44	37	31	43	36	31	42	36	31	29	29	29	29	29		
9	56	42	34	29	55	42	34	28	41	33	28	40	33	28	39	32	28	26	26	26	26	26		
10	53	39	31	26	51	39	31	26	38	31	26	37	30	26	36	30	25	24	24	24	24	24		

RC - Ceiling Cavity Reflectance

RW - Wall Reflectance

RL475-850L-DIMTR-120-27K-30K-35K-40K-50K-90-WH

TEST NO.: **EL11181952**

INPUT WATTS: **11.9431**

LUMENS: **940**

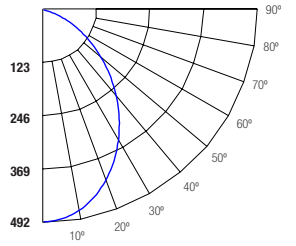
CRI: **90**

EFFICACY: **79**

CCT: **4000K**

SPACING CRITERIA: **1.18**

Candle Power Distribution (Candelas)



Cone of Light			
2	123	3.7	3.7
4	30.7	7.4	7.4
6	13.7	11.1	11.1
8	7.69	14.8	14.8
10	4.92	18.5	18.4
12	3.42	22.2	22.1

(FT.) Distance to Plane (FC) Initial Footcandle at Nadir (FT) Beam Vert. Spread (FT) Beam Horiz. Spread

BEAM DIA. MEASURED AT 50% OF NADIR F.C.

Zonal Lumens Summary

Zone	Lumens	%Lamp	%Fixt
0-20	173.36	18.40	18.40
0-30	352.69	37.50	37.50
0-40	547.03	58.20	58.20
0-60	849.91	90.40	90.40
0-80	939.04	99.90	99.90
0-90	939.07	99.90	99.90

Luminance (Average candela/M²)

Angle in Degrees	Average		
	0°	45°	90°
45	107875	108664	110852
55	83282	84750	87663
65	54567	56730	60245
75	17392	20037	24679
85	118	118	79

Lumens Per Zone

Zone	Lumens
0-10	46.12
10-20	127.24
20-30	179.33
30-40	194.35
40-50	174.34
50-60	128.54
60-70	71.01
70-80	18.11
80-90	0.03

Candela Tabulation

0	0	0	0
0	491.96	0	491.96
5	487.33	5	487.33
15	451.64	15	451.64
25	388.42	25	388.42
35	308.76	35	308.76
45	222.84	45	222.84
55	139.55	55	139.55
65	67.37	65	67.37
75	13.15	75	13.15
85	0.03	85	0.03
90	0.03	90	0.03

Coefficients of Utilization - Zonal Cavity Method

Effective Floor Cavity Reflectance 0.20

RC	80%				70%				50%				30%				10%				0%			
	RW	70%	50%	30%	10%	70%	50%	30%	10%	50%	30%	10%	50%	30%	10%	50%	30%	10%	50%	30%	10%	0%		
ROOM CAVITY RATIO	0	119	119	119	119	116	116	116	116	111	111	111	106	106	106	102	102	102	102	102	102	100		
1	111	107	104	101	108	105	102	99	101	98	96	97	95	93	93	92	90	88	88	88	88	88		
2	103	96	90	85	100	94	89	84	91	86	82	87	84	81	84	81	79	77	77	77	77	77		
3	95	86	79	73	92	84	78	73	81	76	71	79	74	70	76	72	69	67	67	67	67	67		
4	88	77	70	64	86	76	69	63	74	67	62	71	66	62	69	65	61	59	59	59	59	59		
5	81	70	62	56	79	69	61	56	67	60	55	65	59	55	63	58	54	52	52	52	52	52		
6	75	64	55	50	74	63	55	49	61	54	49	59	53	49	58	52	48	46	46	46	46	46		
7	70	58	50	45	69	57	50	44	56	49	44	54	48	44	53	48	43	42	42	42	42	42		
8	66	53	46	40	64	53	45	40	51	45	40	50	44	40	49	44	39	38	38	38	38	38		
9	62	49	42	37	60	49	41	36	48	41	36	47	41	36	46	40	36	34	34	34	34	34		
10	58	46	38	33	57	45	38	33	44	38	33	43	37	33	43	37	33	31	31	31	31	31		

RC - Ceiling Cavity Reflectance

RW - Wall Reflectance