

# Instruction leaflet for ground fault protector/earth leakage protector for LG circuit breakers and motor circuit protectors

## El protector de fallas a tierra y escapes a tierra para interruptores de circuito y protectores de circuito de motores

**⚠ CAUTION**

DO NOT ATTEMPT TO INSTALL OR PERFORM MAINTENANCE ON EQUIPMENT WHILE IT IS ENERGIZED. DEATH OR SEVERE PERSONAL INJURY CAN RESULT FROM CONTACT WITH ENERGIZED EQUIPMENT. ALWAYS VERIFY THAT NO VOLTAGE IS PRESENT BEFORE PROCEEDING.

**⚠ ADVERTENCIA**

NO INTENTE INSTALAR O LLEVAR A CABO TRABAJOS DE MANTENIMIENTO EN EL EQUIPO MIENTRAS TENGA ENERGIA. EL CONTACTO CON EQUIPO CON ENERGIA PUEDE PROVOCAR LA MUERTE O LESIONES PERSONALES SEVERAS. ANTES DE PROCEDER, VERIFIQUE SIEMPRE QUE NO HAYA VOLTAJE PRESENTE.

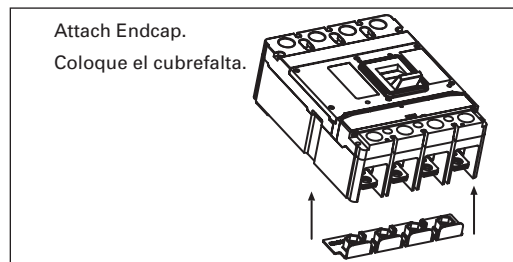


Figure 1.

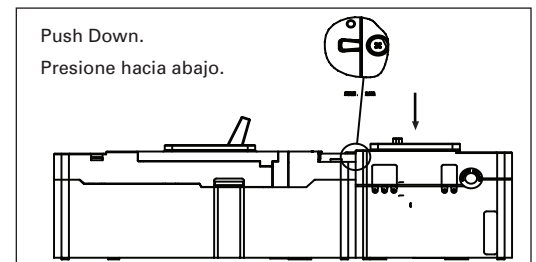


Figure 3.

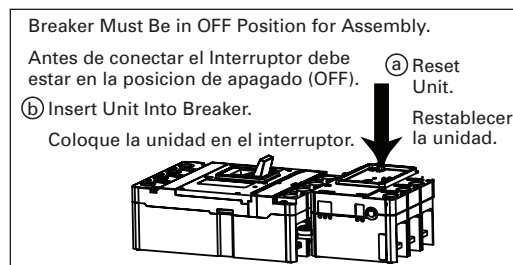


Figure 2.

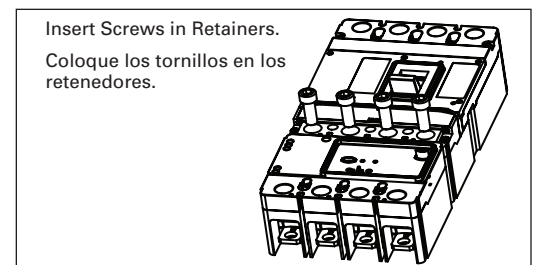


Figure 4.



Powering Business Worldwide

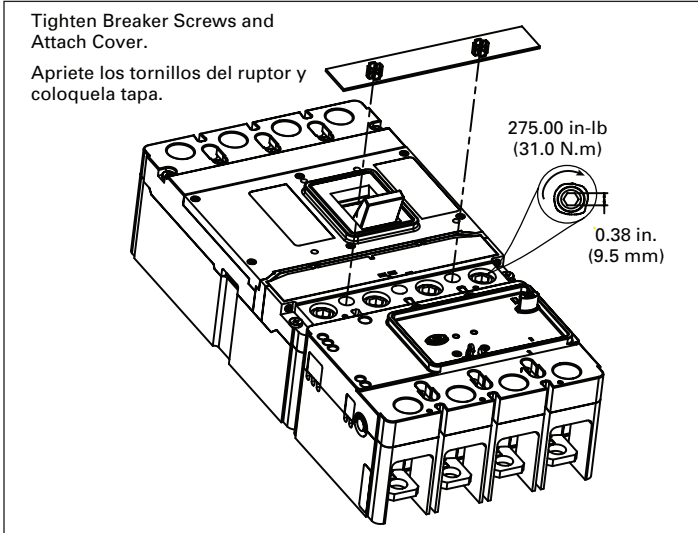


Figure 5.

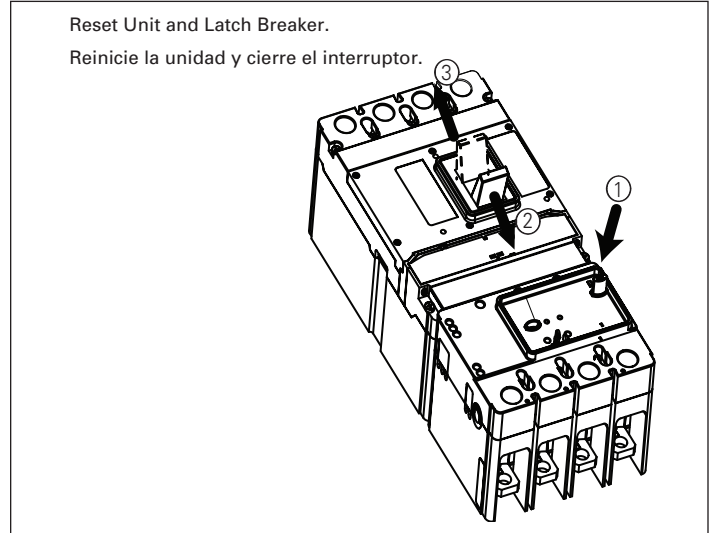


Figure 8.

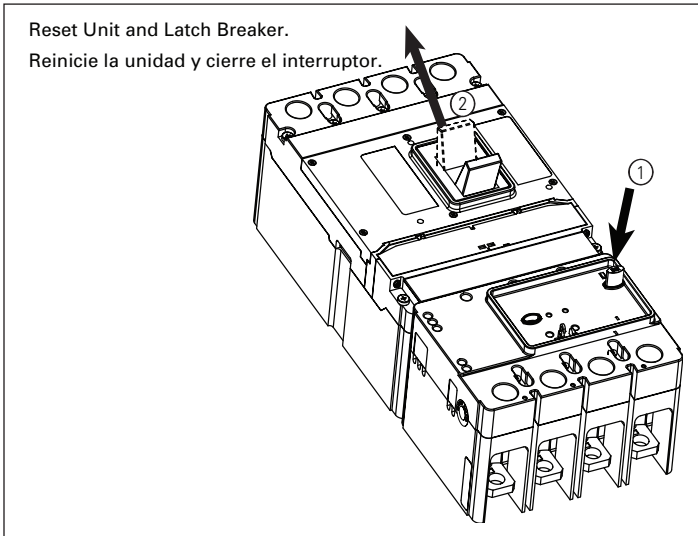


Figure 6.

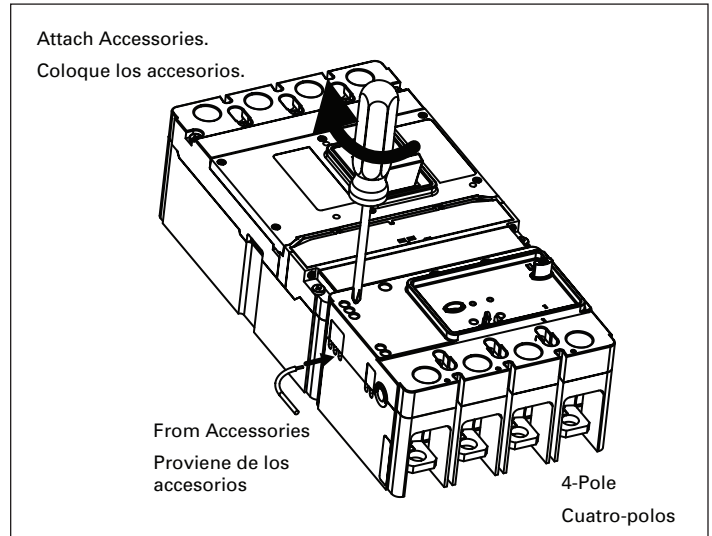


Figure 9.

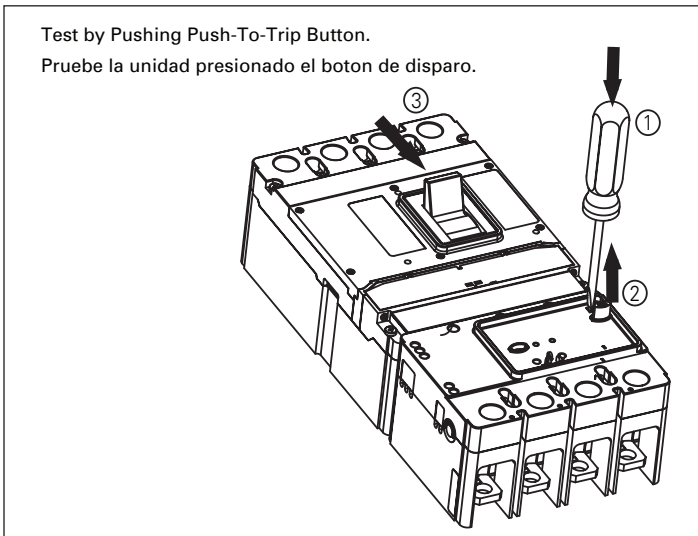


Figure 7.

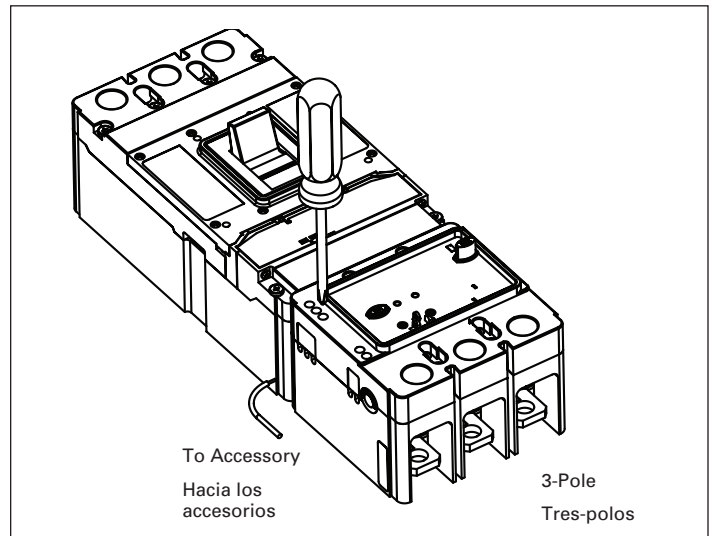


Figure 10.

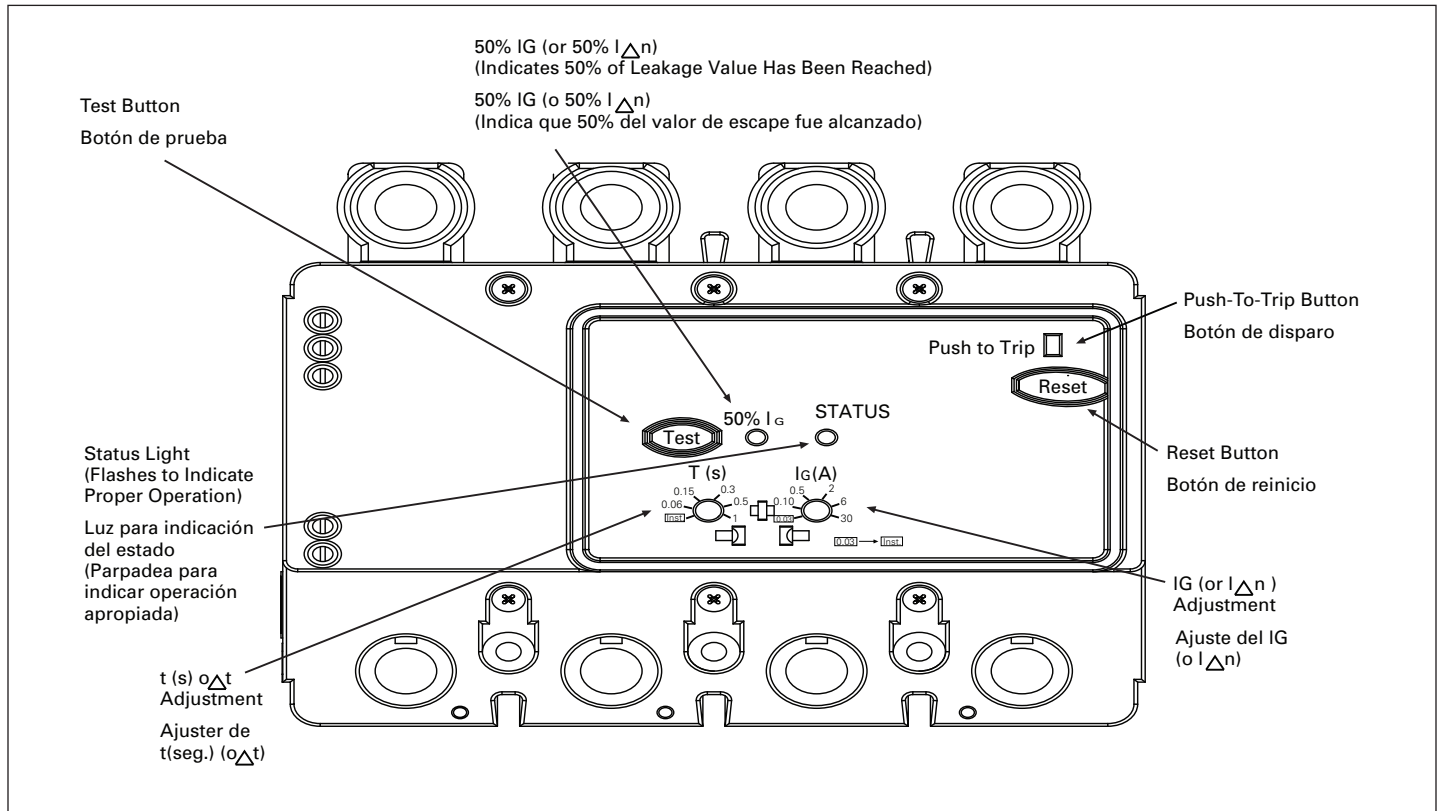


Figure 11.

Table 1a. LG-Frame Line and Load Terminations

Frame Type	Wire Type	Wire Size		Terminal Materials	Catalog Number	Torque	
		AWG	mm <sup>2</sup>			Lb In	Nm
LG-Frame	Cu/Al	500–750 ①	240–380 ①	Aluminum	TA631L ②	550	62
LG-Frame	Cu	500–750 ①	240–380 ①	Copper	T631L ②	500	57
LG-Frame	Cu/Al	2–500 ②	35–240 ②	Aluminum	TA632L ① ②	375	42
LG-Frame	Cu	2–500 ②	35–240 ②	Copper	T632L ②	375	42
LG-Frame	Cu/Al	2–500 ①	35–240 ①	Aluminum	TA350L	375	42
LG-Frame	Cu	2–500 ①	35–240 ①	Copper	T350L	375	42

① Standard collars mounted on line and load end.

② Terminal shield required for TA631L, T631L, TA632L AND T632L.

Table 1b. Terminaciones de línea y carga del marco LG

Tipo de marco	Tipo de alambre	Tamano de alambre		Materials de la terminal	Numero de catalogo	Torsion	
		AWG	mm <sup>2</sup>			Lb In	Nm
Marco LG	Cu/Al	500–750 ①	240–380 ①	Aluminio	TA631L ②	550	62
Marco LG	Cu	500–750 ①	240–380 ①	Cobre	T631L ②	500	57
Marco LG	Cu/Al	2–500 ②	35–240 ②	Aluminio	TA632L ① ②	375	42
Marco LG	Cu	2–500 ②	35–240 ②	Cobre	T632L ②	375	42
Marco LG	Cu/Al	2–500 ①	35–240 ①	Aluminio	TA350L	375	42
Marco LG	Cu	2–500 ①	35–240 ①	Cobre	T350L	375	42

① Lleva terminales estandar montados en los extremos de línea y carga.

② Protector de terminales son requeridos para TA631L, T631L, TA632L and T632L.

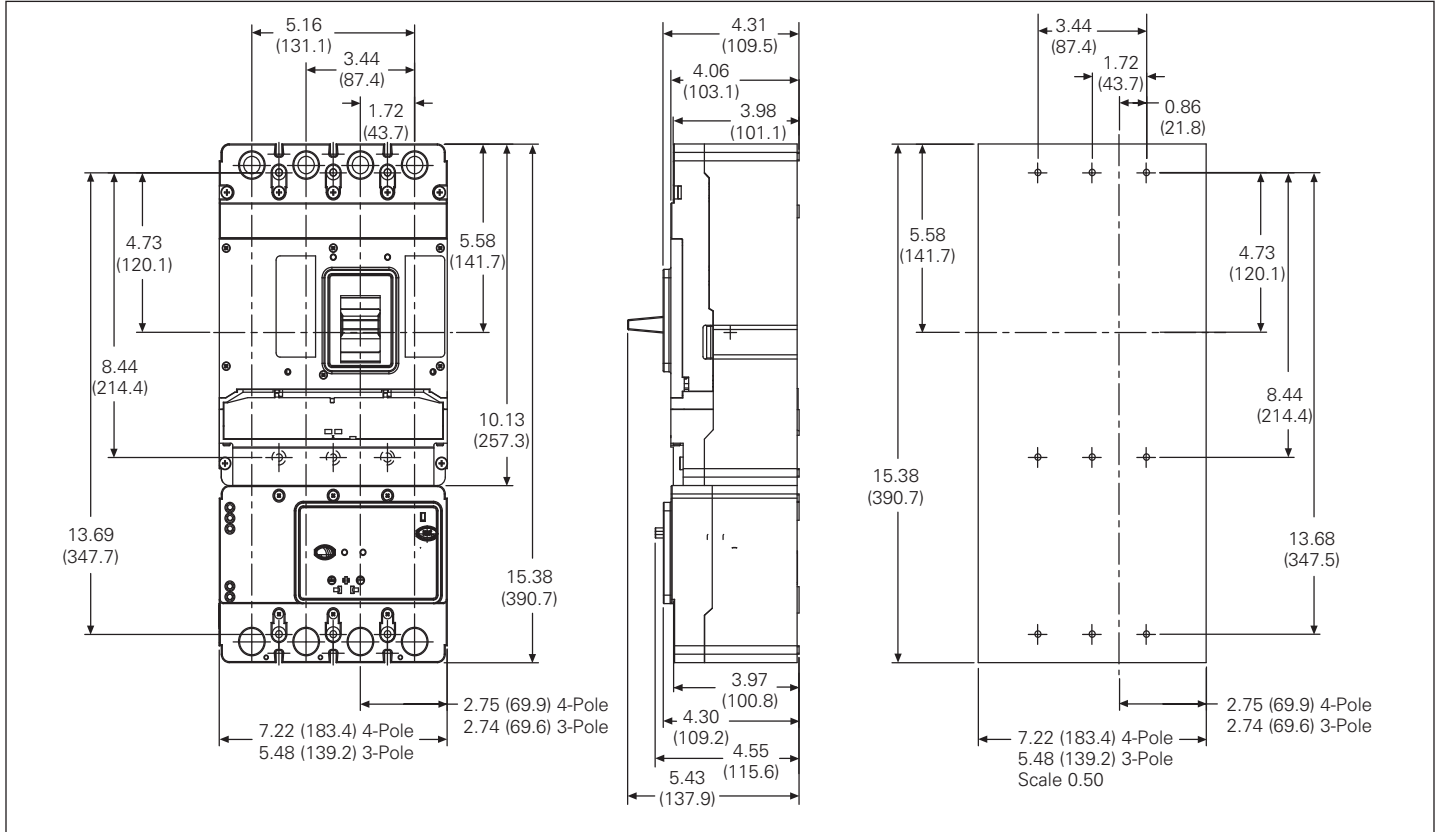


Figure 12.

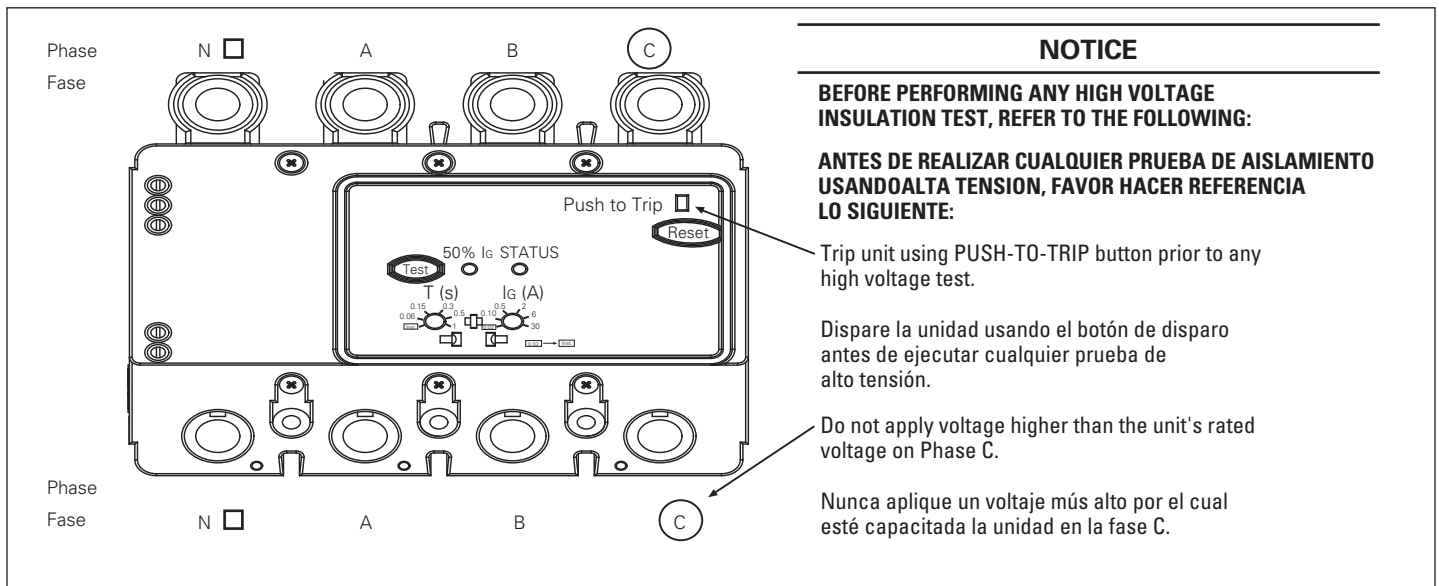


Figure 13.

**Eaton Corporation**  
Electrical Sector  
1111 Superior Ave.  
Cleveland, OH 44114  
United States  
877-ETN-CARE (877-386-2273)  
Eaton.com

© 2010 Eaton Corporation  
All Rights Reserved  
Printed in USA  
Publication No. IL01216001E / Z9925  
May 2010



PowerChain Management is a registered trademark of Eaton Corporation.

All other trademarks are property of their respective owners.