

Day-Brite

CFI

by Signify

Industrial

HCY Sealed high bay

14,000 to 33,000 lumens



The Day-Brite / CFI HCY sealed high bay is an ideal choice where functional high bay lighting is needed with an aesthetic appeal. The round form factor lends itself to retail and institutional applications.



Project: _____
 Location: _____
 Cat.No: _____
 Type: _____
 Lumens: _____ Qty: _____
 Notes: _____

Ordering guide

Example: HCY1421L8CST-UN3-DIM

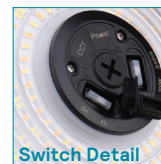
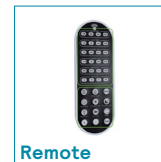
Series	Lumens ¹	Color Temp. (K)	Voltage	Dimming
HCY		8CST -	UN3 -	DIM
HCY Sealed High Bay	1421L 14,000/21,000 lumens 2833L 28,000/33,000 lumens	8CST 80 CRI, Color Select (4000/5000K)	UN3 Universal voltage 120-347V	DIM 0-10V dimming

1. Nominal delivered lumens at 25°C ambient.

Many luminaire components, such as reflectors, lenses, sockets, lampholders, and LEDs are made from various types of plastics which can be adversely affected by airborne contaminants. If sulfur based chemicals, petroleum based products, cleaning solutions, or other contaminants are expected in the intended area of use, consult factory for compatibility.

Accessories (order separately)

- **HCY2-PRSM** 16" Clear polycarbonate reflector for HCY1421L
- **HCY2-PRLG** 16" Clear polycarbonate reflector for HCY2833L
- **HCY-SURFACE BKT SM** Surface mount bracket for HCY1421L
- **HCY-SURFACE BKT LG** Surface mount bracket for HCY2833L
- **HCY-SENSOR** Field installed microwave sensor
- **HCY-REMOTE** Remote hand-held programmer for HCY-SENSOR



Features

- Die cast frame and driver containment housing.
- Corrosion resistant black finish.
- Clear polycarbonate lens protects LEDs.
- Heavy duty hook provided for connection to customer-supplied suspension.
- Lumen maintenance up to 70% (L70) at 50,000 hours.
- Default HCY-SENSOR settings are 1 minute timeout to 20% dim level, then 1 minute timeout to off. HCY-REMOTE must be used to change default sensor settings.
- HCY-SENSOR may be used up to 50ft mounting height.
- Note that using the sensor together with the reflector will affect sensor performance.
- Exposed leads for wiring connection with sleeving for environmental protection.
- 6' cord provided for power connection and dimming connection.
- Field CCT and Lumen selectable. Default CCT setting is 4000K. Default lumen setting for small is 21000lm. Default lumen setting for large is 33000lm.
- cULus listed for use in wet locations for -20C to 50C ambient.
- Driver surge protection is 4kV L-N and 2kV LN-GND.
- IP65 and NEMA4X rated. IK08 impact rated.
- Components are RoHS compliant.
- DesignLights Consortium qualified. Please see the DLC QPL list for exact catalog numbers (www.designlights.org/QPL)
- Five year limited luminaire warranty. Visit www.signify.com/warranties for complete warranty information.

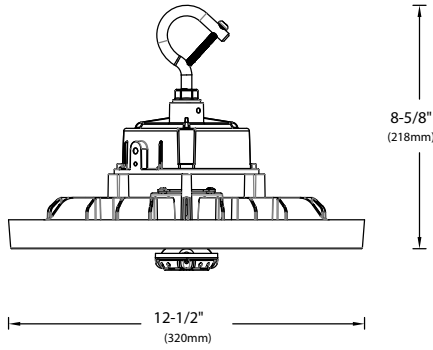


HCY LED sealed high bay

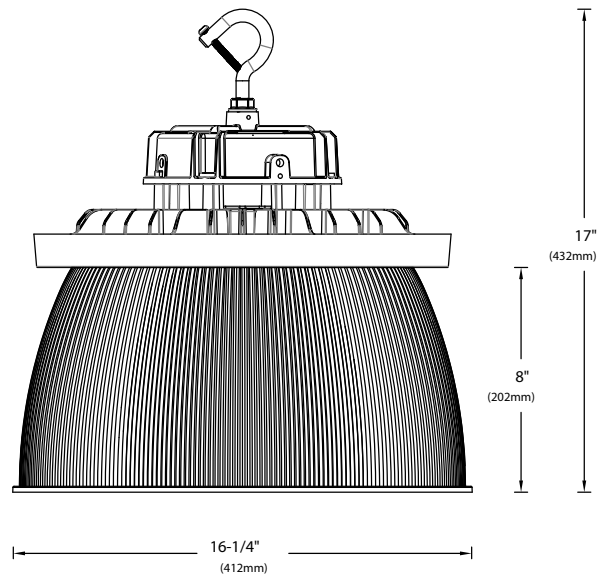
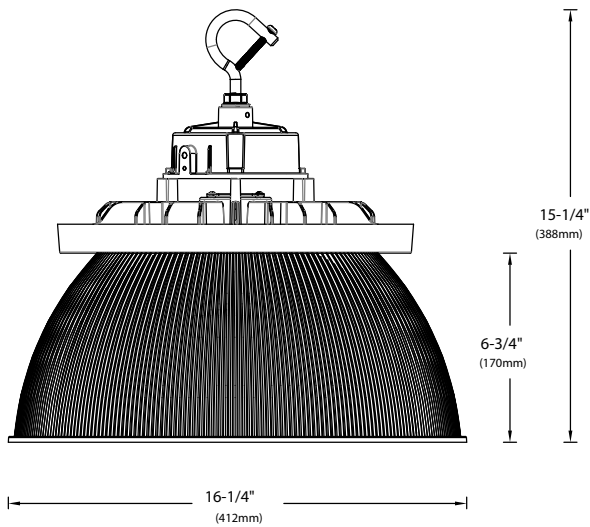
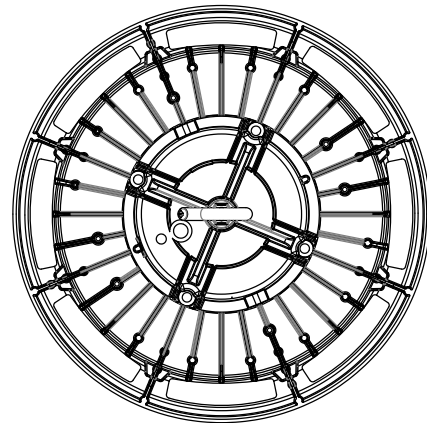
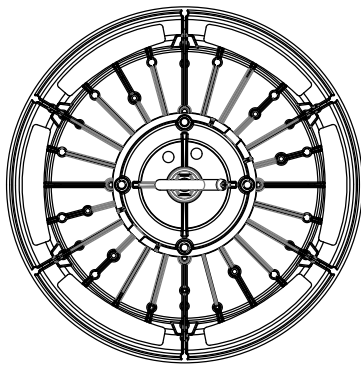
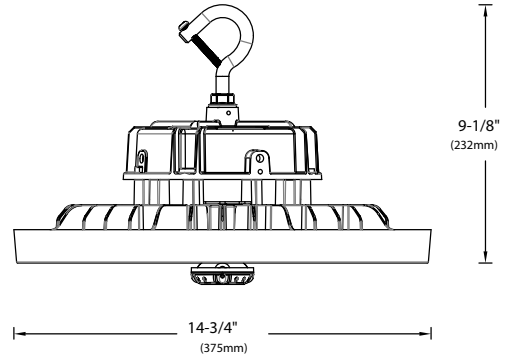
14,000 to 33,000 lumens

Dimensions

HCY14/HCY21



HCY28/HCY33



HCY LED sealed high bay

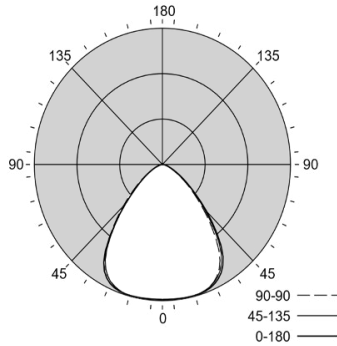
14,000 to 33,000 lumens

Photometry

HCY21L8CST-UN3-DIM-4000K

Luminaire Lumens	20405
Luminaire Efficacy Rating (LER)	150
Total Luminaire Watts	136.3
Spacing Criterion (0-180)	1.34

Candela Distribution						Flux
	0	45	90	135	180	Lumens
0	10207	10207	10207	10207	10207	
5	10219	10227	10233	10225	10212	977
15	10245	10230	10254	10254	10244	2898
25	9946	9837	9787	9812	9936	4516
35	8493	8245	7920	7778	8009	4942
45	5044	4770	4485	4184	4195	3504
55	2354	2210	2097	1931	1929	1901
65	978	895	830	840	811	887
75	376	353	317	303	280	354
85	64	47	36	22	12	54
90	4	3	2	3	3	
95	4	4	3	4	4	4
105	9	9	7	8	8	9
115	17	18	14	15	15	16
125	29	30	24	25	25	24
135	41	42	35	36	36	29
145	51	52	45	46	47	30
155	61	61	56	58	57	27
165	71	71	68	69	69	20
175	79	78	78	79	78	7
180	80	79	80	80	80	



Zonal Lumen Summary			
Zone	Lumens	%Fixture	%Lamp
0-30	8437	41.3%	41.3%
0-40	13473	66.0%	66.0%
0-60	18936	92.8%	92.8%
0-90	20238	99.2%	99.2%
0-180	20405	100.0%	100.0%

Avg. Luminance (cd/m²)			
	0	45	90
45	111361	105312	99014
55	64060	60132	57075
65	36104	33060	30641
75	22667	21282	19102
85	11389	8370	6507

Coefficients of Utilization %											
Pc---	80				70			50		0	
Pw---	70	50	30	10	70	50	30	50	30	10	0
RCR											
0	119	119	119	119	116	116	116	111	111	111	99
1	111	108	104	102	109	105	102	101	99	97	89
2	104	97	92	87	101	95	90	92	88	84	78
3	96	88	81	76	94	86	80	83	78	74	69
4	89	80	72	67	87	78	71	76	70	65	62
5	83	72	65	59	81	71	64	69	63	58	55
6	78	66	59	53	76	65	58	63	57	52	50
7	72	61	53	48	71	60	53	58	52	47	45
8	68	56	48	43	66	55	48	54	48	43	41
9	64	52	44	40	62	51	44	50	44	39	37
10	60	48	41	36	59	48	41	47	40	36	34

Based on a floor reflectance of 0.2

Photometric Test List

Catalog No.	Delivered Lumens	Input Watts	Efficacy
HCY14L8CST-UN3-DIM(4000K)	15292	101.1	151
HCY14L8CST-UN3-DIM(5000K)	15111	102.3	148
HCY21L8CST-UN3-DIM(4000K)	20405	136.3	150
HCY21L8CST-UN3-DIM(5000K)	20887	144.1	145
HCY28L8CST-UN3-DIM(4000K)	28744	197.9	145
HCY28L8CST-UN3-DIM(5000K)	29303	208.2	141
HCY33L8CST-UN3-DIM(4000K)	34201	236.8	144
HCY33L8CST-UN3-DIM(5000K)	33244	237.2	140



© 2022 Signify Holding. All rights reserved. The information provided herein is subject to change, without notice. Signify does not give any representation or warranty as to the accuracy or completeness of the information included herein and shall not be liable for any action in reliance thereon. The information presented in this document is not intended as any commercial offer and does not form part of any quotation or contract, unless otherwise agreed by Signify.

Signify North America Corporation
400 Crossing Blvd, Suite 600
Bridgewater, NJ 08807
Telephone: 855-486-2216

Signify Canada Ltd.
281 Hillmount Road,
Markham, ON, Canada L6C 2S3
Telephone: 800-668-9008

All trademarks are owned by Signify Holding or their respective owners.