

RL641

6" LED RETROFIT BAFFLE LIGHTING MODULE WITH JUNCTION BOX



CERTIFICATIONS

- RoHS
- IECC
- FCC

CRI 90+

COLOR QUALITY 3-Step MacAdam Ellipses

LUMEN OUTPUT 1150 Lumens

LUMEN PER WATT Up to 67

CCT 27K, 30K, 35K, 40K

WARRANTY 5 Years

- New York state
- ETL/cETL Listed for Wet Location
- Air Tight

- California Title 24
- Washington state
- LM79/LM80

UNIQUELY ENGINEERED FOR NEW AND EXISTING CONSTRUCTION

The RL641 is the newest, most efficient, and advanced LED retrofit modules from ELITE Lighting. It's unique design delivers color quality above a 90 CRI rating. The color matching has never been so close, with a binning as low as 3 MacAdams ellipses. The RL641 LED retrofits meet all new mandatory California Title 24 requirements.

FEATURES

- Over 1000 usable lumens are directed from the luminaire to the work surface
- Greater light output than a 26W CFL or a 65W BR30 while consuming less than 15W of power
- Rated at 90+ CRI to meet California Title-24 strict compliance standards
- Life tested to ensure light output up to 50,000 hours of operation to L70
- High performance optic hides LED chip image but still delivers an even beam of light
- Elite's highly selective LED chips produce zero ultraviolet and virtually no infrared light
- Tested to LM-79 and LM-80 standards
- You MUST seal all gaps between the ceiling and fixture with weatherproof silicone sealant. This deters moisture and water from damaging fixtures and other mechanical ceiling elements.

INPUT VOLT.	INPUT FREQ.	THD	POWER FACTOR	INPUT POWER	LUMENS
MVOLT (120-277V)	50/60Hz	<20%	>0.9	15W(+/-5%)	1150

DURABILITY

Our die-cast system pulls the heat from the LED chip, allowing the continued cool operation for years. Our LED driver is rated for 50 to 60 Hz at 120V input, and produces less than 20% THD, has a power factor between 0.90 and 1.00 and is thermal protected for additional safety.

DIMMABLE

The Elite LED Module is dimmable down to 10% of initial light output with compatible dimmers. Consult factory for complete list of compatible dimming systems.

OUR WORD

The Elite LED lighting system carries a five-year carefree warranty for parts and components. (Labor not included)

LED

6"

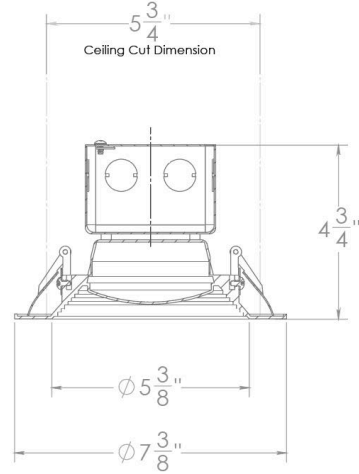
6 INCH LED RETROFIT MODULE

RL641

6" LED RETROFIT BAFFLE LIGHTING MODULE WITH JUNCTION BOX



Cut hole in ceiling and snap fixture in opening with attached spring clips.



Example: **RL641-1150L-DIM10-MVOLT-35K-90-W-WH**

TYPE	1150L SERIES	CCT	CRI	FINISH	OPTION
RL641 (Baffle)	<input type="checkbox"/> 1150L-DIM10-MVOLT	<input type="checkbox"/> 27K <input type="checkbox"/> 35K <input type="checkbox"/> 30K <input type="checkbox"/> 40K	<input type="checkbox"/> 90+	<input type="checkbox"/> WH	<input type="checkbox"/> RL641-RT-SHZ-WH <input type="checkbox"/> RL641-RT-CL-WH

AVAILABLE COLOR INSERTS FOR RL641 - 6" RETROFIT

REFLECTORS



RL641-RT-SHZ-WH

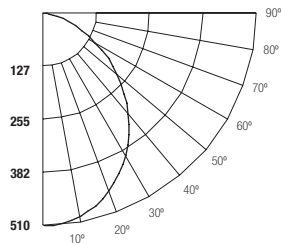


RL641-RT-CL-WH

RL641-1100L-DIM10-MVOLT

INPUT WATTS: **14.8** LUMENS: **1128** CRI: **90+** EFFICACY: **76** CCT: **3000K** TEST NO.: **EL-113916** SPACING CRITERIA: **1.16**

Candle Power Distribution (Candelas)



Zonal Lumens Summary

Zone	Lumens	%Lamp	%Fixt
0-20	181.06	16.00	16.00
0-30	374.74	33.20	33.20
0-40	594.41	52.70	52.60
0-60	970.56	86.00	85.90
0-80	1117.24	99.00	98.90
0-90	1129.41	100.00	100.00

Luminance (Average candela/M²)

Angle in Degrees	Average 0°	Average 45°	Average 90°
45	21160	21498	22000
55	18053	18428	19467
65	12707	14389	15415
75	7019	8409	12237
85	2778	7918	12889

Lumens Per Zone

Zone	Lumens
0-10	47.75
10-20	133.31
20-30	193.68
30-40	219.67
40-50	208.77
50-60	167.38
60-70	102.98
70-80	43.71
80-90	12.17

Candela Tabulation

0	5	15	25	35	45	55	65	75	85	90	
0	509.62	5	506.59	15	478.23	25	425.93	35	356.01	45	273.19
5	506.59	15	478.23	25	425.93	35	356.01	45	273.19	55	189.06
15	478.23	25	425.93	35	356.01	45	273.19	55	189.06	65	98.05
25	425.93	35	356.01	45	273.19	55	189.06	65	98.05	75	33.17
35	356.01	45	273.19	55	189.06	65	98.05	75	33.17	85	4.42
45	273.19	55	189.06	65	98.05	75	33.17	85	4.42	90	0.41
55	189.06	65	98.05	75	33.17	85	4.42	90	0.41		
65	98.05	75	33.17	85	4.42	90	0.41				
75	33.17	85	4.42	90	0.41						
85	4.42	90	0.41								
90	0.41										

Coefficients of Utilization - Zonal Cavity Method

Effective Floor Cavity Reflectance 0.20

ROOM CAVITY RATIO	RC		80%				70%				50%				30%				10%				0%			
	RW	70%	50%	30%	10%	70%	50%	30%	10%	50%	30%	10%	50%	30%	10%	50%	30%	10%	50%	30%	10%	0%	0%			
0		119	119	119	119	116	116	116	116	111	111	111	106	106	106	102	102	102	100	100	100	100				
1		110	106	102	99	107	104	100	97	99	97	94	96	93	91	92	90	88	88	88	88					
2		101	94	87	82	99	92	86	81	88	84	79	85	81	78	82	79	76	74	74	74					
3		93	83	76	70	90	82	75	69	79	73	68	76	71	67	74	69	66	64	64	64					
4		86	74	66	60	83	73	65	60	71	64	59	68	63	58	66	61	57	55	55	55					
5		79	67	59	52	77	66	58	52	64	57	51	62	56	51	60	55	50	48	48	48					
6		73	61	52	46	71	60	52	46	58	51	46	56	50	45	55	49	45	43	43	43					
7		68	55	47	41	66	54	47	41	53	46	41	52	45	40	50	45	40	38	38	38					
8		64	51	43	37	62	50	42	37	49	42	37	47	41	36	46	41	36	34	34	34					
9		60	47	39	33	58	46	39	33	45	38	33	44	38	33	43	37	33	31	31	31					
10		56	43	36	31	55	43	35	30	42	35	30	41	35	30	40	34	30	28	28	28					

RC - Ceiling Cavity Reflectance

RW - Wall Reflectance