

NOMINAL LUMENS	DELIVERED LUMENS	WATTAGE
900	1109	14W
700	846	12W

Based on 3000K, 90+ CRI. Actual wattage may vary +/- 5%

INSTALLATION

- Cut hole in ceiling and snap fixture in opening with attached spring clips. Space in ceiling needed for the driver to fit through the ceiling height – 3".

FEATURES

A high performance 5" LED luminaire, engineered for New Construction, Remodel or Retrofit to accommodate insulated or dropped ceiling installations. It is easily installed and is supplied with a remote driver. Its small aperture and shallow depth make it an ideal choice for unlimited applications.

LUMENS	900, 700
CCT	27K,30K,35K,40K,50K
CRI	90+
COLOR QUALITY	3-Step MacAdam Ellipse
TRIM	Cast aluminum trim
FINISH	WH (White)
DIMMING	DIMTR (Triac)
LIFETIME	50,000 Hours

- Cast aluminum trim
- Dimmable
- Type IC Rated – Approved for direct contact with insulation
- Air-tight and damp location approved
- Fast and easy to install in limited space locations
- External driver factory mounted inside connection box - 120V
- New construction rough-in plates and jumper cables available
- Available Temperatures (2700K, 3000K, 3500K, 4000K, 5000K)
- 50,000 Hours Life
- 5 Year Warranty
- OUTPUT: Default Driver Voltage: 120V AC 60 Hz (Dimmable)
- AMBIENT TEMPERATURE: -40°F (-40°C) to +104°F (+40°C)

EXAMPLE: **RL575-900L-DIMTR-120-30K-90-WH**

TYPE	LUMEN	CCT	CRI	FINISH	OPTIONS
RL575	<input type="checkbox"/> 900L-DIMTR-120 <input type="checkbox"/> 700L-DIMTR-120	<input type="checkbox"/> 27K <input type="checkbox"/> 30K <input type="checkbox"/> 35K <input type="checkbox"/> 40K <input type="checkbox"/> 50K	<input type="checkbox"/> 90+	<input type="checkbox"/> WH-White <input type="checkbox"/> BK-Black	<input type="checkbox"/> RL-ACC-SLIM-1-10F <input type="checkbox"/> RL-ACC-SLIM-1-20F <input type="checkbox"/> RL-UNV-4/5/6 <input type="checkbox"/> RL-ACC-SLIM-5-ROUGHPLATE

OPTIONS

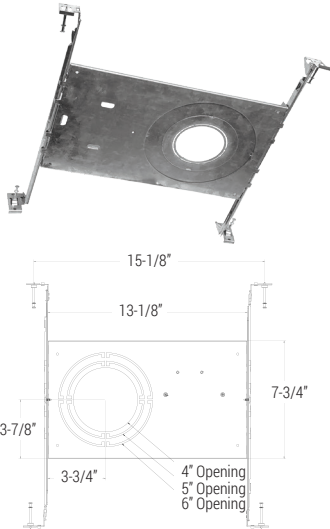


RL-ACC-SLIM-1-10F
10-ft long extension

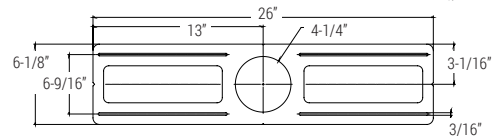
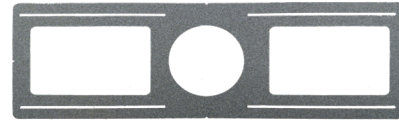


RL-ACC-SLIM-1-20F
20-ft long extension

MOUNTING



RL-UNV-4/5/6
Multi-size: 4", 5", 6"
new construction pre -mounting plate with collar for use with screw down "C" style remodel housings



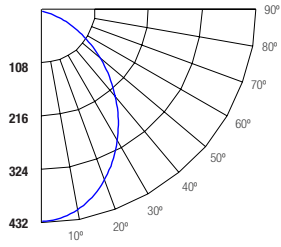
RL-ACC-SLIM-5-ROUGHPLATE
The MP3 is a 5" new construction pre-mounting plate with collar for use with screw down "C" style remodel housings

RL575-700L-DIMTR-120-27K-90-WH

TEST NO.: **EL11121928**

INPUT WATTS: **12.0289** LUMENS: **846** CRI: **90** EFFICACY: **70** CCT: **2700K** SPACING CRITERIA: **1.20**

Candle Power Distribution (Candelas)



Zonal Lumens Summary

Zone	Lumens	%Lamp	%Fixt
0-20	152.49	18.00	18.00
0-30	311.33	36.80	36.80
0-40	484.94	57.30	57.30
0-60	760.05	89.80	89.80
0-80	845.40	99.90	99.90
0-90	845.42	99.90	99.90

Luminance (Average candela/M²)

Angle in Degrees	Average		
	0°	45°	90°
45	95487	96935	100280
55	74611	76473	80620
65	49456	52024	57418
75	14257	19085	26187
85	118	79	79

Lumens Per Zone

Zone	Lumens
0-10	40.47
10-20	112.02
20-30	158.83
30-40	173.61
40-50	157.32
50-60	117.80
60-70	67.04
70-80	18.30
80-90	0.03

Candela Tabulation

0	5	15	25	35	45	55	65	75	85	90
0	431.30	426.45	395.00	340.53	271.87	197.25	125.02	61.06	10.78	0.03
5	426.45	395.00	340.53	271.87	197.25	125.02	61.06	10.78	0.03	0
15	395.00	340.53	271.87	197.25	125.02	61.06	10.78	0.03	0	0
25	340.53	271.87	197.25	125.02	61.06	10.78	0.03	0	0	0
35	271.87	197.25	125.02	61.06	10.78	0.03	0	0	0	0
45	197.25	125.02	61.06	10.78	0.03	0	0	0	0	0
55	125.02	61.06	10.78	0.03	0	0	0	0	0	0
65	61.06	10.78	0.03	0	0	0	0	0	0	0
75	10.78	0.03	0	0	0	0	0	0	0	0
85	0.03	0	0	0	0	0	0	0	0	0
90	0	0	0	0	0	0	0	0	0	0

Coefficients of Utilization - Zonal Cavity Method
Effective Floor Cavity Reflectance 0.20

Cone of Light			
(FT.) Distance to Plane	(FC.) Initial Footcandle at Nadir	(FT.) Beam Vert. Spread	(FT.) Beam Horiz. Spread
2	108	3.8	3.8
4	27	7.6	7.6
6	12	11.4	11.4
8	6.74	15.2	15.2
10	4.31	19	18.9
12	3	22.7	22.7

BEAM DIA. MEASURED AT 50% OF NADIR F.C.

ROOM CAVITY RATIO	RC				70%				50%				30%				10%				0%
	RW	70%	50%	30%	10%	70%	50%	30%	10%	50%	30%	10%	50%	30%	10%	50%	30%	10%	0%		
0	119	119	119	119	119	116	116	116	116	111	111	111	106	106	106	102	102	102	100		
1	111	107	104	101	108	108	105	102	99	101	98	96	97	95	93	93	92	90	88		
2	102	96	90	85	100	94	88	84	84	90	86	82	87	83	80	84	81	78	77		
3	95	85	78	73	92	84	77	72	72	81	75	71	78	74	70	76	72	69	67		
4	87	77	69	63	85	76	68	63	73	67	62	62	71	65	61	69	64	60	58		
5	81	69	61	55	79	68	61	55	66	60	55	64	59	54	63	58	53	52	52		
6	75	63	55	49	73	62	55	49	60	54	49	59	53	48	57	52	48	46	46		
7	70	58	50	44	68	57	49	44	55	49	44	54	48	43	53	47	43	41	41		
8	65	53	45	40	64	52	45	40	51	44	39	50	44	39	49	43	39	37	37		
9	61	49	41	36	60	48	41	36	47	41	36	46	40	36	45	40	35	34	34		
10	58	45	38	33	56	45	38	33	44	37	33	43	37	33	42	37	33	31	31		

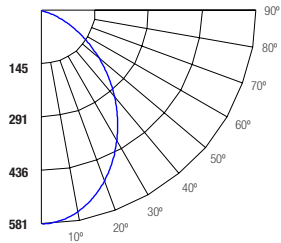
RC - Ceiling Cavity Reflectance RW - Wall Reflectance

RL575-900L-DIMTR-120-30K-WH

TEST NO.: **EL011931**

INPUT WATTS: **14.4** LUMENS: **1109** CRI: **85** EFFICACY: **77** CCT: **3000K** SPACING CRITERIA: **1.20**

Candle Power Distribution (Candelas)



Zonal Lumens Summary

Zone	Lumens	%Lamp	%Fixt
0-20	204.84	18.50	18.50
0-30	417.38	37.60	37.60
0-40	648.38	58.40	58.40
0-60	1007.48	90.80	90.80
0-80	1108.26	99.90	99.90
0-90	1108.29	99.90	99.90

Luminance (Average candela/M²)

Angle in Degrees	Average		
	0°	45°	90°
45	31428	31870	32976
55	23927	24459	25766
65	14976	15549	17029
75	3885	4371	5998
85	29	29	20

Lumens Per Zone

Zone	Lumens
0-10	54.43
10-20	150.40
20-30	212.54
30-40	231.00
40-50	207.35
50-60	151.75
60-70	81.57
70-80	19.21
80-90	0.03

Candela Tabulation

0	5	15	25	35	45	55	65	75	85	90
0	580.16	573.53	529.98	455.27	361.38	259.69	160.37	73.96	11.75	0.03
5	573.53	529.98	455.27	361.38	259.69	160.37	73.96	11.75	0.03	0
15	529.98	455.27	361.38	259.69	160.37	73.96	11.75	0.03	0	0
25	455.27	361.38	259.69	160.37	73.96	11.75	0.03	0	0	0
35	361.38	259.69	160.37	73.96	11.75	0.03	0	0	0	0
45	259.69	160.37	73.96	11.75	0.03	0	0	0	0	0
55	160.37	73.96	11.75	0.03	0	0	0	0	0	0
65	73.96	11.75	0.03	0	0	0	0	0	0	0
75	11.75	0.03	0	0	0	0	0	0	0	0
85	0.03	0	0	0	0	0	0	0	0	0
90	0	0	0	0	0	0	0	0	0	0

Coefficients of Utilization - Zonal Cavity Method
Effective Floor Cavity Reflectance 0.20

Cone of Light			
(FT.) Distance to Plane	(FC.) Initial Footcandle at Nadir	(FT.) Beam Vert. Spread	(FT.) Beam Horiz. Spread
2	145	3.7	3.7
4	36.3	7.4	7.4
6	16.1	11.2	11.2
8	9.07	14.9	14.9
10	5.8	18.6	18.6
12	4.03	22.3	22.3

BEAM DIA. MEASURED AT 50% OF NADIR F.C.

ROOM CAVITY RATIO	RC				70%				50%				30%				10%				0%
	RW	70%	50%	30%	10%	70%	50%	30%	10%	50%	30%	10%	50%	30%	10%	50%	30%	10%	0%		
0	119	119	119	119	119	116	116	116	116	111	111	111	106	106	106	102	102	102	100		
1	111	107	104	101	108	108	105	102	99	101	98	96	97	95	93	94	92	90	89		
2	103	96	90	86	100	94	89	85	91	86	83	88	84	81	85	82	79	77	77		
3	95	86	79	73	93	84	78	73	82	76	72	79	74	70	76	73	69	67	67		
4	88	77	70	64	86	76	69	63	74	68	63	71	66	62	69	65	61	59	59		
5	81	70	62	56	79	69	61	56	67	60	55	65	59	55	63	58	54	52	52		
6	76	64	56	50	74	63	55	50	61	54	49	59	53	49	58	53	48	47	47		
7	70	58	50	45	69	57	50	45	56	49	44	55	48	44	53	48	44	42	42		
8	66	54	46	40	64	53	45	40	52	45	40	50	44	40	49	44	40	38	38		
9	62	49	42	37	60	49	42	37	48	41	36	47	41	36	46	40	36	34	34		
10	58	46	38	34	57	45	38	34	44	38	33	43	37	33	43	37	33	31	31		

RC - Ceiling Cavity Reflectance RW - Wall Reflectance