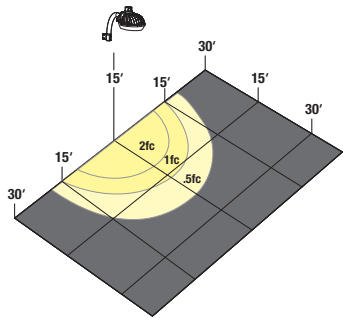


ORDERING INFORMATION

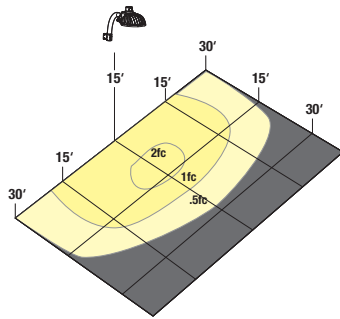


Catalog Number	Mount	Wattage	Drive Current	Voltage	Color Temperature	Lumens	LPW
DDL-9L1	Arm/Wall/Surface	40	1280mA	120V	5000K	3437	86
DDL-9LU	Arm/Wall/Surface	40	1280mA	120V-277V	5000K	3437	86
DDL-56L-4K-1	Arm included	30	150mA	120V	4000K	2906	97
DDL-140L-1	Arm included	43.5	92mA	120V	5000K	5279	121

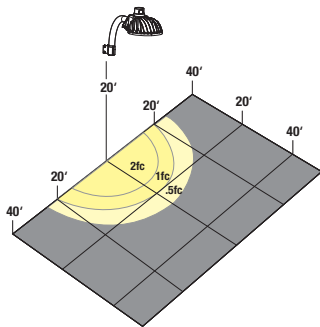
¹Lumens per watt based on 5000K at 120V input. Lumen values are from photometric tests performed in accordance with IESNA LM-79-08. Data is considered to be representative of the configurations shown. Actual performance may differ as a result of end-user environment, application and performance tolerance of the LEDs.



Symmetric LED lens

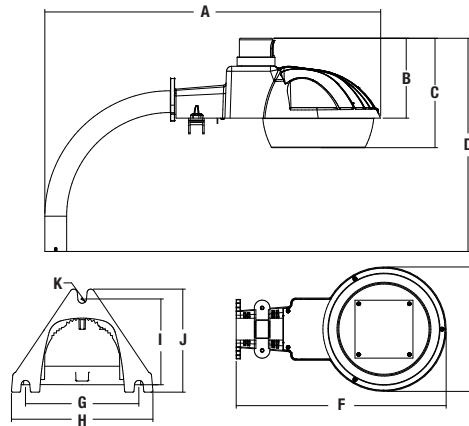


Asymmetric LED lens



DDL-140L-1 at 20'

DIMENSIONS



A	B	C	D	E	F
29.72"	6"	8.25"	16.19"	9.45"	16"
754 mm	152 mm	209 mm	411 mm	240 mm	406 mm
G	H	I	J	K	WEIGHT
3.62"	4.52"	2.74"	3.29"	.138"	6.8 LBS.
92 mm	115 mm	69 mm	84 mm	3.5 mm	3.08 KG

EPA = 0.5

Full line of LED products visit: www.hubbelloutdoor.com

FOR MORE INFORMATION ABOUT THE FULL LINE OF LED PRODUCTS:

Hubbell Lighting Inc. Distinguished Lighting Brands



HUBBELL
Lighting

Alera Lighting
Architectural Area Lighting
Columbia Lighting
Compass Products
Devine Lighting
Dual-Lite
Hubbell Building Automation
Hubbell Outdoor Lighting

Hubbell Industrial Lighting
Kim Lighting
Kurt Versen
Litecontrol
Prescolite
Spaulding Lighting
Sportsliter Solutions
Sternier Lighting Systems

United States
Hubbell Lighting, Inc.
701 Millennium Boulevard
Greenville, SC 29607
864-678-1000

Canada
Hubbell Canada
870 Brock Road
Pickering, Ontario L1W 1Z8
www.hubbell-canada.com

Mexico
Hubbell De Mexico, S.A. DE CV
Av. Insurgentes Sur # 1228, 8th Floor
Col. Tlacoquemecatl del Valle • 03200 Mexico, D.F.
www.hubbell.com.mx

Due to our continued efforts to improve our products, product specifications are subject to change without notice.

HOL0077 POD 12.17



LED MULTI-PURPOSE DUSK-TO-DAWN LUMINAIRE



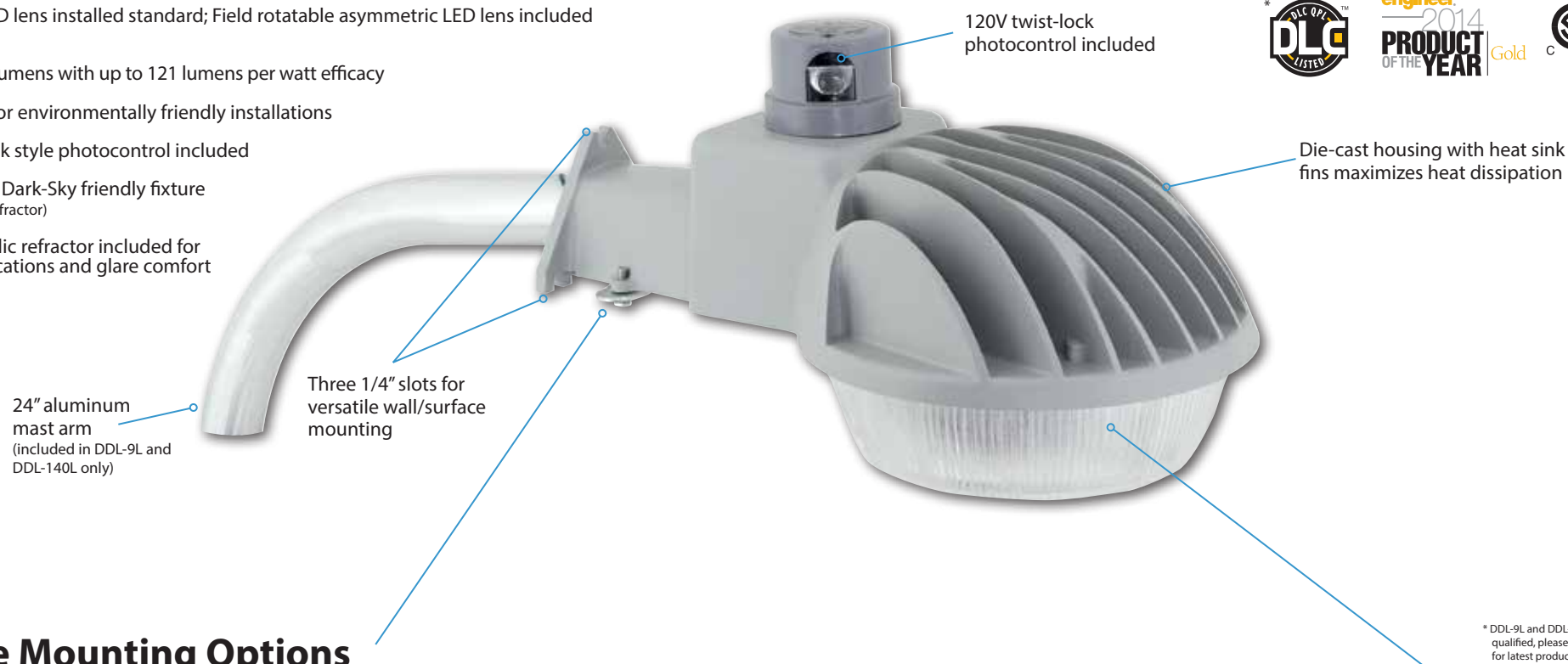
LED MULTI-PURPOSE DUSK-TO-DAWN LUMINAIRE

Hubbell Outdoor Lighting's LED multi-purpose dusk-to-dawn luminaire series features multiple lumens and distributions, zero uplight performance and versatile mounting options in a single SKU. Stylish and rugged, this energy saving luminaire is designed to solve your security lighting needs.

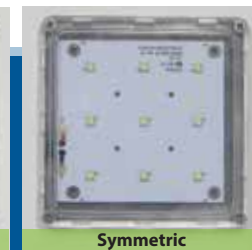
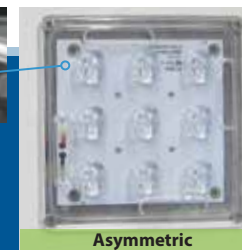
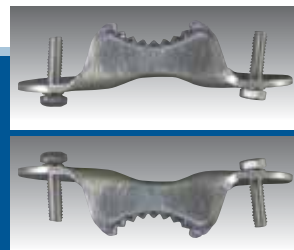
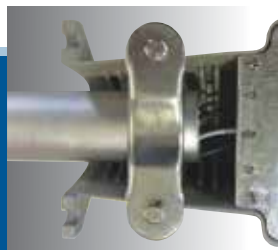
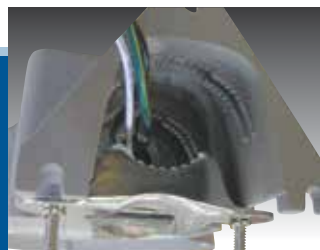


Key Features & Benefits

- Rugged die-cast aluminum housing with textured gray powder paint provides corrosion resistance and clean finish
- Symmetric LED lens installed standard; Field rotatable asymmetric LED lens included (DDL-9L only)
- 2900 to 5200 lumens with up to 121 lumens per watt efficacy
- Zero uplight for environmentally friendly installations
- 120V twist-lock style photocontrol included
- IDA approved Dark-Sky friendly fixture (without acrylic refractor)
- Prismatic acrylic refractor included for security applications and glare comfort



Versatile Mounting Options



* DDL-9L and DDL-56 DesignLights Consortium qualified, please visit DesignLights Consortium* for latest product listings: <https://www.designlights.org/QPL>

Dual rows of cast serrated teeth ensure positive grip on mast arm, preventing loosening or twisting due to continuous vibration

Bottom view of corrosion resistant steel mast arm clamp

Corrosion resistant steel mast arm clamp is reversible accommodating either 2-3/8" or 1-5/8" OD arms

Mast arm clamp easily adjusts to 1-5/8" OD arms with two 3/8" bolts

Reversible clamp easily adjusts to 2-3/8" OD arms with two 3/8" bolts

Molded orientation marker for rotatable asymmetric lens, align lens with "house" icon for desired light direction

Symmetric lens installed as standard. Rotatable asymmetric lens included with DDL-9L – easily exchangeable by removing four phillips head screws. Lenses are field rotatable in 90° increments.