



Stonco LytePro LED medium wall sconce LPW16 features outstanding value in a compact, architectural design. This powerful and precise combination offers outstanding energy savings with excellent photometric performance. LPW16 is ideal for entryways and corridors in addition to wall lighting applications requiring strong lateral spacing and forward pattern projection.

Project: _____
 Location: _____
 Cat.No: _____
 Type: _____
 Lamps: _____ Qty: _____
 Notes: _____

Ordering guide

Example: LPW16-20-NW-G3-3-120-PCB-BZ

Prefix	Wattage	LED Color/Gen	Distribution	Voltage	Options		
					Photocontrol	Location	Finish
LPW16							
LPW16 LytePro 16 LED medium wall sconce	20 20W	NW-G3 Neutral White 4000K 70 CRI Generation 3	2 Type 2	120 120V	---	BAC ³ Meets the requirements of the Buy American Act of 1933 (BAA)	Textured BK Black WH White BZ Bronze DGY Dark Gray MGY Medium Gray
	30 30W		3 Type 3	208 208V	PCB Photocontrol Button ¹		
	50 50W	WW-G3 Warm White 3000K 70 CRI Generation 3	4 Type 4	240 240V			
				277 277V			
				347 347V	HVU 347-480V (50/60Hz)		
				480 480V			
				UNV 120-277V (50/60Hz)			
				HVU 347-480V (50/60Hz)			

Stocked luminaires – Ordering guide

Catalog Number	Description	Master Pack, Qty	UPC Code
LPW16-G3-8-BZ	LPW16, 30W, 650mA, 4000K, Type 3, 120-277V, Bronze textured paint	6	622252813872
LPW16-G3-8-DGY	LPW16, 30W, 650mA, 4000K, Type 3, 120-277V, Dark gray textured paint	6	622252813865

Stocked accessories – Ordering guide (Must be ordered separately)⁴

Catalog Number	Description	Master Pack, Qty	UPC Code
LPWCVRPLT-BZ ²	LPW Universal wall cover mounting plate, Bronze textured paint	(none)	190096144860

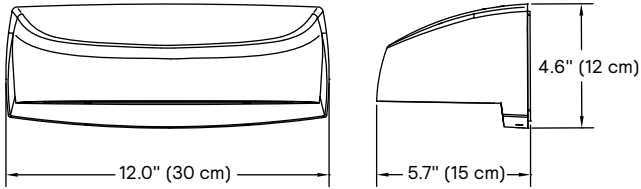
¹ Must specify voltage. Not available in 347V or 480V.
² Other colors available upon request as made-to-order
³ Failure to properly select the "BAC" suffix could result in you receiving product that is not BAA compliant product with no recourse for an RMA or refund. This BAC designation hereunder does not address (i) the applicability of, or availability of a waiver under, the Trade Agreements Act, or (ii) the "Buy America" domestic content requirements imposed on states, localities, and other non-federal entities as a condition of receiving funds administered by the Department of Transportation or other federal agencies.
⁴ Consult Signify to confirm whether specific accessories are BAA-compliant.



LPW16 LytePro

LED medium wall sconce

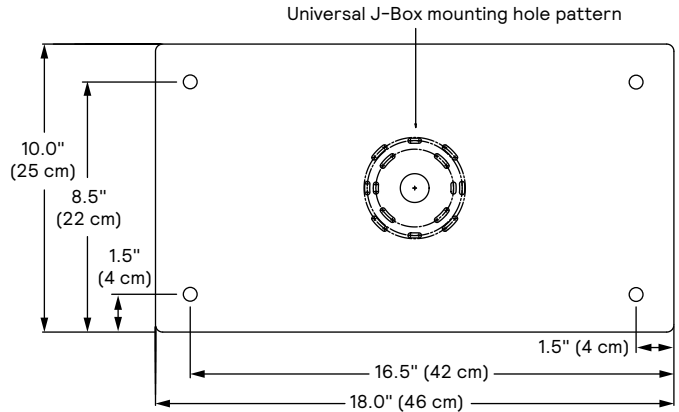
Dimensions



Luminaire weight: 6lbs (2.7 kg)

Accessory dimensions (ordered separately)

LPWCVRPLT-BZ LPW Universal wall cover mounting plate, 0.08" aluminum, bronze textured paint (used to cover larger pre-existing opening or surfaces, field installed). Offers same J-Box pattern as luminaire or may lagged to wall using (4) knockouts.



LED Wattage and Lumen Values

Ordering Code	Total LEDs	LED Current (mA)	Color Temp.	Average System Watts	Type 2			Type 3			Type 4		
					Lumen Output	BUG Rating	Efficacy (LPW)	Lumen Output	BUG Rating	Efficacy (LPW)	Lumen Output	BUG Rating	Efficacy (LPW)
LPW-16-20-NW-G3	16	400	4000	22	2,725	B1-U0-G1	122	2,668	B1-U0-G1	120	2,632	B1-U0-G1	118
LPW-16-30-NW-G3	16	650	4000	34	4,089	B1-U0-G1	119	4,003	B1-U0-G1	117	3,950	B1-U0-G1	115
LPW-16-50-NW-G3	16	900	4000	48	5,448	B1-U0-G1	114	5,334	B1-U0-G1	111	5,263	B1-U0-G1	110
LPW-16-20-WW-G3	16	400	3000	22	2,510	B1-U0-G0	113	2,457	B1-U0-G1	110	2,425	B1-U0-G1	109
LPW-16-30-WW-G3	16	650	3000	34	3,766	B1-U0-G1	110	3,687	B1-U0-G1	107	3,638	B1-U0-G1	106
LPW-16-50-WW-G3	16	900	3000	48	5,017	B1-U0-G1	106	4,912	B1-U0-G1	103	4,846	B1-U0-G1	102

Values from photometric tests performed in accordance with IESNA LM-79 and are representative of the configurations shown.

Actual performance may vary due to installation and environmental variables, LED and driver tolerances, and field measurement considerations. It is highly recommended to confirm performance with a photometric layout.

NOTE: Some data may be scaled based on tests of similar (but not identical) luminaires. Contact factory for configurations not shown.

Predicted lumen depreciation data

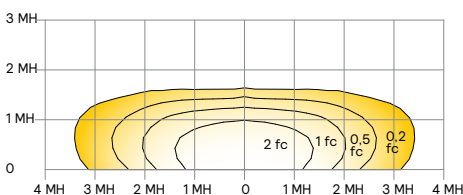
Predicted performance derived from LED manufacturer's data and engineering design estimates, based on IESNA LM-80 methodology.

Actual experience may vary due to field application conditions. L₇₀ is the predicted time when LED performance depreciates to 70% of initial lumen output. Calculated per IESNA TM21-11. Published L₇₀ hours limited to 6 times actual LED test hours

Ambient Temperature °C	Calculated L ₇₀ Hours	L ₇₀ per TM-21	Lumen Maintenance % at 60,000 hrs
up to 40°C	>200,000 hours	>54,000 hours	>96%

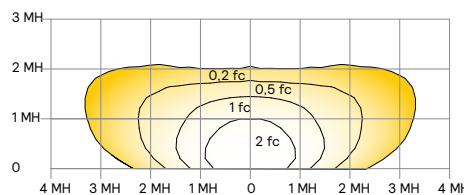
Optical distributions

Based on LPW16-30-NW-G3 at 15' mounting height



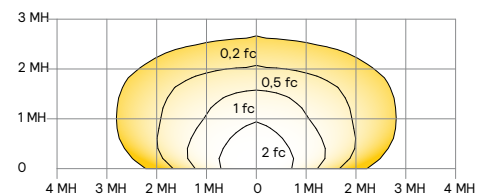
Type 2

LPW16 15' mounting height			
Mounting height	10 ft	12 ft	15 ft
Multiplier	1.29	1.14	1.00



Type 3

LPW16 15' mounting height			
Mounting height	10 ft	12 ft	15 ft
Multiplier	1.57	1.34	1.00



Type 4

LPW16 15' mounting height			
Mounting height	10 ft	12 ft	15 ft
Multiplier	1.46	1.27	0.87

LPW16 LytePro

LED medium wall sconce

General Description

LytePro LED medium wall sconce LPW16 combines excellent performance, design and value to meet the needs of the energy and budget conscious. The LPW16 is available for use in downward facing, surface wall mount applications, over recessed j-boxes or where power can be directly fed through back surface, whereby connections splices can be made inside the luminaire housing. Two SKU's are available as in-stock configurations only (2-day quick ship).

Housing

Die-cast housing houses both the LED and driver assemblies. Design incorporates an integrated heat sink to maximize thermal performance and reliability. Backplate is corrosion free, composite polycarbonate, with built-in level bubble, offers integral interlocking hook and mount design for easy installation.

Mounting

Easy interlocking hook and mount housing/backplate design for easy installation. Mounts over 3.5", 4" octagonal j-boxes and single gang switch boxes or can be directly lagged to surface. Ensure proper steps for gasket/sealing luminaire to surface.

IP Rating

Optical compartment is IP65 rated sealed with tempered glass, gasket and frame.

LED Board and Array

Provides up to 104 lm/W at the system level. Standard color temp is 4000K or 3000K +/- 250K, minimum 70 CRI.

Electrical

Driver efficiency (>90% standard). 120-277V and 347-480V available. All drivers are dimmable. Temp range: -40°C (-40°F) to 40°C (104°F). Open/short circuit protection. Inherent surge protection up to (6KVA). RoHS compliant.

Surge protection (SP1): Surge protection device tested in accordance with ANSI/IEEE C62.45 per ANSI/IEEE C62.41.2 Scenario I Category C High Exposure 10kV/10kA waveforms for Line-Ground, Line-Neutral and Neutral-Ground, and in accordance with DOE MSSLC Model Specification for LED Roadway Luminaires Appendix D Electrical Immunity High test level 10kV/10kA.

Listings

Product is cETLus listed suitable for Wet Locations. Suitable for use in ambients from -40°C to 40°C (-40°F to 104°F). DesignLights Consortium® qualified.

Finish

Each luminaire receives a fade and abrasion resistant, electrostatically applied, thermally cured, triglycidal isocyanurate (TGIC) textured polyester powdercoat finish.

Warranty

LPW16 luminaires, the LED arrays, and the drivers are all covered by a 5-year limited warranty. See www.signify.com/warranties for details.

The information presented in this document is not intended as any commercial offer and does not form part of any quotation or contract.



© 2021 Signify Holding. All rights reserved. The information provided herein is subject to change, without notice. Signify does not give any representation or warranty as to the accuracy or completeness of the information included herein and shall not be liable for any action in reliance thereon. The information presented in this document is not intended as any commercial offer and does not form part of any quotation or contract, unless otherwise agreed by Signify.

Signify North America Corporation
200 Franklin Square Drive,
Somerset, NJ 08873
Telephone 855-486-2216

Signify Canada Ltd.
281 Hillmount Road,
Markham, ON, Canada L6C 2S3
Telephone 800-668-9008

All trademarks are owned by Signify Holding or their respective owners.