



Stonco LytePro LED large wall sconce LPW32 features outstanding value in a compact, architectural design. This powerful and precise combination offers outstanding energy savings with excellent photometric performance. LPW32 is ideal for building perimeters and corridors in addition to wall lighting applications requiring strong lateral spacing and forward pattern projection.

Project: \_\_\_\_\_  
 Location: \_\_\_\_\_  
 Cat.No: \_\_\_\_\_  
 Type: \_\_\_\_\_  
 Lamps: \_\_\_\_\_ Qty: \_\_\_\_\_  
 Notes: \_\_\_\_\_

### Ordering guide

Example: LPW32-70-NW-G3-3-120-PCB-BZ

Prefix	Wattage	LED Color/Gen	Distribution	Emergency	Voltage
<b>LPW32</b>					
LPW32 LytePro 32 LED Large Wall Sconce	70 70W	NW-G3 Neutral White 4000K 70 CRI Generation 3 WW-G3 Warm White 3000K 70 CRI Generation 3	2 Type 2	-- None	120 120V
	90 90W		3 Type 3	EBP Emergency Battery Pack <sup>1,2,3</sup>	208 208V
	50 50W <sup>1</sup>		4 Type 4		240 240V
					277 277V
					347 347V
					480 480V
					UNV 120-277V (50/60Hz) HVU 347-480V (50/60Hz)

Options					
Dimming controls	Motion sensing	Photocontrol	Location	Finish	
FAWS Field Adjustable Wattage Selector <sup>4</sup> BL Bi-level functionality <sup>2,4</sup>	IMRI3 Motion sensor #3 Lens <sup>2,5</sup>	PCB Photocontrol Button <sup>2,6</sup>	BAC <sup>8</sup> Meets the requirements of the Buy American Act of 1933 (BAA)	Textured BK Black WH White BZ Bronze DGY Dark Gray MGY Medium Gray Customer specified RAL Specify optional color or RAL (ex: OC-LGP or OC-RAL7024) CC Custom color (Must supply color chip for required factory quote)	

### Stocked luminaires – Ordering guide

Catalog Number	Description	Master Pack, Qty	UPC Code
LPW32-G3-8-DGY	LPW32, 70W, 650mA, 4000K, Type 3, 120-277V, Dark gray textured paint	3	622252813889
LPW32-G3-8-BZ	LPW32, 70W, 650mA, 4000K, Type 3, 120-277V, Bronze textured paint	3	622252813896

### Stocked accessories – Ordering guide (Must be ordered separately)<sup>9</sup>

Catalog Number	Description	Master Pack, Qty	UPC Code
LPWCVRPLT-BZ <sup>7</sup>	LPW Universal wall cover mounting plate, Bronze textured paint	(none)	190096144860

<sup>1</sup> Emergency battery backup (EBP) available with 50W configuration only

<sup>2</sup> Not available in 347 or 480V

<sup>3</sup> Not available with BL, FAWS or PCB

<sup>4</sup> Not available with other control options.

<sup>5</sup> Available only with BL dimming option

<sup>6</sup> Must specify voltage

<sup>7</sup> Other colors available upon request as made-to-order

<sup>8</sup> Failure to properly select the “BAC” suffix could result in you receiving product that is not BAA compliant product with no recourse for an RMA or refund. This BAC designation hereunder does not address (i) the applicability of, or availability of a waiver under, the Trade Agreements Act, or (ii) the “Buy America” domestic content requirements imposed on states, localities, and other non-federal entities as a condition of receiving funds administered by the Department of Transportation or other federal agencies.

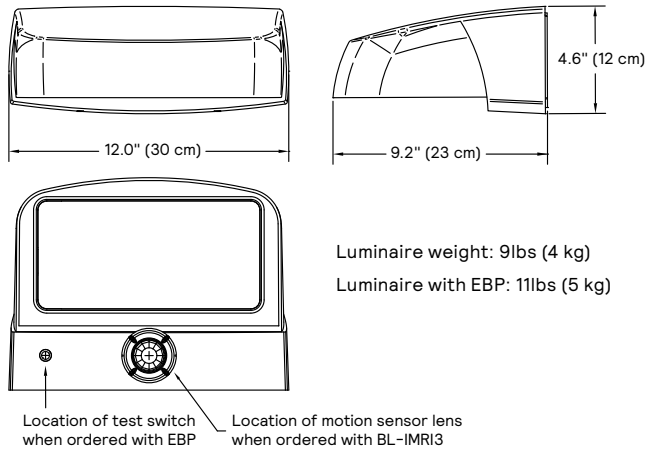
<sup>9</sup> Consult Signify to confirm whether specific accessories are BAA-compliant.



# LPW32 LytePro

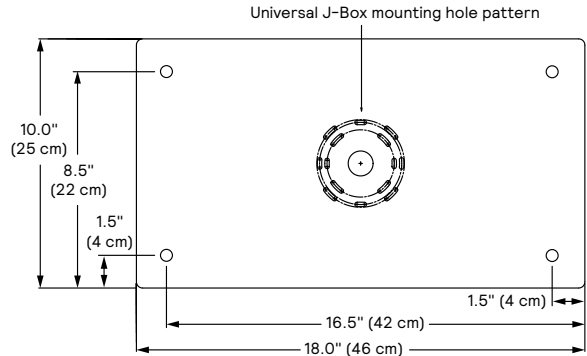
## LED large wall sconce

### Dimensions



### Accessory dimensions (ordered separately)

LPWCVRPLT-BZ LPW Universal wall cover mounting plate, 0.08" aluminum, bronze textured paint (used to cover larger pre-existing opening or surfaces, field installed). Offers same J-Box pattern as luminaire or may lagged to wall using (4) knockouts.



### LED Wattage and Lumen Values

Ordering Code	Total LEDs	LED Current (mA)	Color Temp.	Average System Watts	Type 2			Type 3			Type 4		
					Lumen Output	BUG Rating	Efficacy (LPW)	Lumen Output	BUG Rating	Efficacy (LPW)	Lumen Output	BUG Rating	Efficacy (LPW)
LPW-32-50-NW-G3	32	400	4000	45	6026	B2-U0-G1	133	5899	B1-U0-G1	130	5,710	B1-U0-G2	126
LPW-32-70-NW-G3	32	650	4000	65	8,425	B2-U0-G1	130	8,248	B1-U0-G2	128	8,139	B1-U0-G2	126
LPW-32-90-NW-G3	32	900	4000	90	10,992	B2-U0-G2	122	10,761	B2-U0-G2	120	10,618	B2-U0-G2	118
LPW-32-50-WW-G3	32	400	3000	45	5455	B1-U0-G1	120	5340	B1-U0-G1	118	5,169	B1-U0-G1	114
LPW-32-70-WW-G3	32	650	3000	65	7,626	B1-U0-G1	118	7,466	B1-U0-G2	116	7,367	B1-U0-G2	114
LPW-32-90-WW-G3	32	900	3000	89	9,951	B2-U0-G2	112	9,742	B2-U0-G2	109	9,613	B2-U0-G2	108

### LED Wattage and Lumen Values - Emergency mode

Ordering Code	Total LEDs	LED Current (mA)	Color Temp.	Average System Watts		Type 2		Type 3		Type 4	
				Normal Mode	Emergency Mode	Normal Mode	Emergency Mode	Normal Mode	Emergency Mode	Normal Mode	Emergency Mode
LPW-32-50-NW-G3-EBP	32	400	4000	45	10	6026	1871	5899	1832	5710	1774
LPW-32-50-WW-G3-EBP	32	400	3000	45	10	5455	1695	5340	1659	5169	1606

Values from photometric tests performed in accordance with IESNA LM-79 and are representative of the configurations shown.

Actual performance may vary due to installation and environmental variables, LED and driver tolerances, and field measurement considerations. It is highly recommended to confirm performance with a photometric layout.

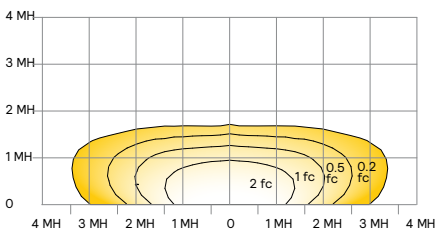
NOTE: Some data may be scaled based on tests of similar (but not identical) luminaires. Contact factory for configurations not shown.

### Predicted lumen depreciation data

Predicted performance derived from LED manufacturer's data and engineering design estimates, based on IESNA LM-80 methodology. Actual experience may vary due to field application conditions. L<sub>70</sub> is the predicted time when LED performance depreciates to 70% of initial lumen output. Calculated per IESNA TM21-11. Published L<sub>70</sub> hours limited to 6 times actual LED test hours

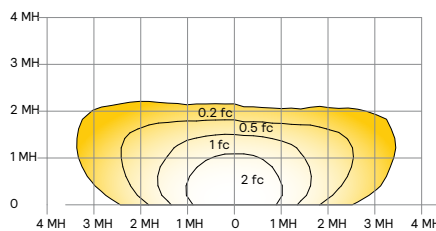
Ambient Temperature °C	Calculated L <sub>70</sub> Hours	L <sub>70</sub> per TM-21	Lumen Maintenance % at 60,000 hrs
up to 40°C	>200,000 hours	>54,000 hours	>95%

### Optical distributions Based on LPW32-70-NW-G3 at 20' mounting height



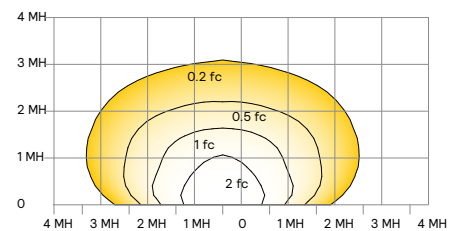
Type 2

LPW32 20' mounting height			
Mounting height	18 ft	20 ft	23 ft
Multiplier	1.05	1.00	0.93



Type 3

LPW32 20' mounting height			
Mounting height	18 ft	20 ft	23 ft
Multiplier	1.14	1.00	0.79



Type 4

LPW32 20' mounting height			
Mounting height	18 ft	20 ft	23 ft
Multiplier	1.16	1.00	0.76

# LPW32 LytePro

## LED large wall sconce

### General Description

LytePro LED large wall sconce LPW32 combines excellent performance, design and value to meet the needs of the energy and budget conscious. The LPW32 is available for use in downward facing, surface wall mount applications, over recessed j-boxes or where power can be directly fed through back surface, whereby connections splices can be made inside the luminaire housing. Two SKU's are available as in-stock configurations (2-day quick ship).

### Housing

Die-cast housing houses both the LED and driver assemblies. Design incorporates an integrated heat sink to maximize thermal performance and reliability. Backplate is corrosion free, composite polycarbonate, with built-in level bubble, offers integral interlocking hook and mount design for easy installation.

### Mounting

Easy interlocking hook and mount housing/backplate design for easy installation. Mounts over 3.5", 4" octagonal j-boxes and single gang switch boxes or can be directly lagged to surface. Ensure proper steps for gasket/sealing luminaire to surface.

### IP Rating

Optical compartment is IP65 rated sealed with tempered glass, gasket and frame.

### LED Board and Array

Provides up to 114 lm/W in LPW32 at the system level. Standard color temp is 4000K or 3000K +/- 250K, minimum 70 CRI.

### Electrical

Driver efficiency (>90% standard). 120-277V and 347-480V available. All drivers are dimmable.. Temp range: -40°C (-40°F) to 40°C (104°F). Open/short circuit protection. Inherent surge protection up to (6KVA). RoHS compliant.

**Surge protection (SP1):** Surge protection device tested in accordance with ANSI/IEEE C62.45 per ANSI/IEEE C62.41.2 Scenario I Category C High Exposure 10kV/10kA waveforms for Line-Ground, Line-Neutral and Neutral-Ground, and in accordance with DOE MSSLC Model Specification for LED Roadway Luminaires Appendix D Electrical Immunity High test level 10kV/10kA.

### Listings

Product is cETLus listed suitable for Wet Locations. Suitable for use in ambients from -40°C to 40°C (-40°F to 104°F). DesignLights Consortium® qualified.

### Finish

Each luminaire receives a fade and abrasion resistant, electrostatically applied, thermally cured, triglycidal isocyanurate (TGIC) textured polyester powdercoat finish.

### Emergency Option

**Emergency Battery Backup (EBP):** Emergency battery packs included integral to the luminaire, allowing for a consistent look between emergency and non-emergency luminaires. A separate surface mount accessory box is not required. EBP is suitable for use in ambient temperature conditions from 0°C (32°F) to 40°C (104°F) available on 50W configuration only. System is designed to have a secondary driver with relay to immediately detect AC power loss to power luminaire for a minimum of 90 minutes from the time power is lost. Available with 120-277V, or 'UNV' only.

### Dimming Control Options

**Field Adjustable Wattage Selector (FAWS):** Luminaire equipped with the ability to manually adjust the wattage in the field to reduce total luminaire lumen output and light levels. Comes pre-set to the highest position at the lumen output selected. Use chart below to estimate reduction in lumen output desired. Cannot be used with other control options or motion response.

FAWS Position	Percent of Typical Lumen Output
1	25%
2	50%
3	55%
4	65%
5	75%
6	80%
7	85%
8	90%
9	95%
10	100%

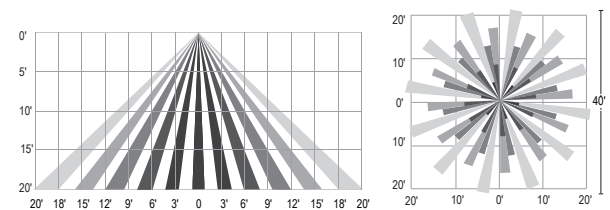
Note: Typical value accuracy +/- 5%

### Motion Response Options

**Bi-Level Infrared Motion Response (BL):** Motion Response module is mounted integral to luminaire factory pre-programmed to 50% dimming when not ordered with other control options. BL is set/operates in the following fashion: The motion sensor is set to a constant 50%. When motion is detected by the PIR sensor, the luminaire returns to full power/light output. Dimming on low is factory set to 50% with 5 minutes default in "full power" prior to dimming back to low. When no motion is detected for 5 minutes, the motion response system reduces the wattage by 50%, to 50% of the normal constant wattage reducing the light level. Other dimming settings can be provided if different dimming levels are required. This can also be done with FSIR-100 Wireless Remote Programming Tool (contact Technical Support for details).

**Infrared Motion Response Lenses (IMRI3):** Infrared Motion Response Integral module is available with sensor lens #3 (IMRI3) is designed for mounting heights up to 20' with a 40' diameter coverage area. See charts for approximate detection patterns:

IMRI3 Luminaire with #3 lens



### Warranty

LPW32 luminaires, the LED arrays, and the drivers are all covered by a 5-year limited warranty. See [www.signify.com/warranties](http://www.signify.com/warranties) for details.

